

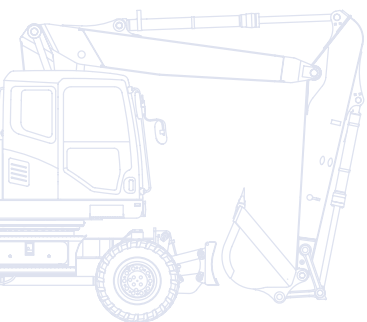
KOMATSU

PW
160



Hydraulic Wheeled Excavator

PW160-10



ENGINE POWER
110 kW / 148 HP @ 2.000 rpm

OPERATING WEIGHT
17.025 - 18.445 kg

BUCKET CAPACITY
max. 1,13 m³

Walk-Around

The Komatsu PW160-10 wheeled excavator is expressly designed and built to stand up against the most demanding work environments in Europe. With all of the muscle and sophistication needed for a broad range of works, the EU Stage IIIB engine and advanced hydraulics make it an environmentally friendly machine with increased power and a low fuel consumption that is reduced by up to 8%. The new cab is a comfortable and quiet work place, with improved ergonomics and an outstanding view. The PW160-10 gives you improved productivity, good stability, a high lifting capacity and simplified maintenance.

Powerful and environmentally friendly

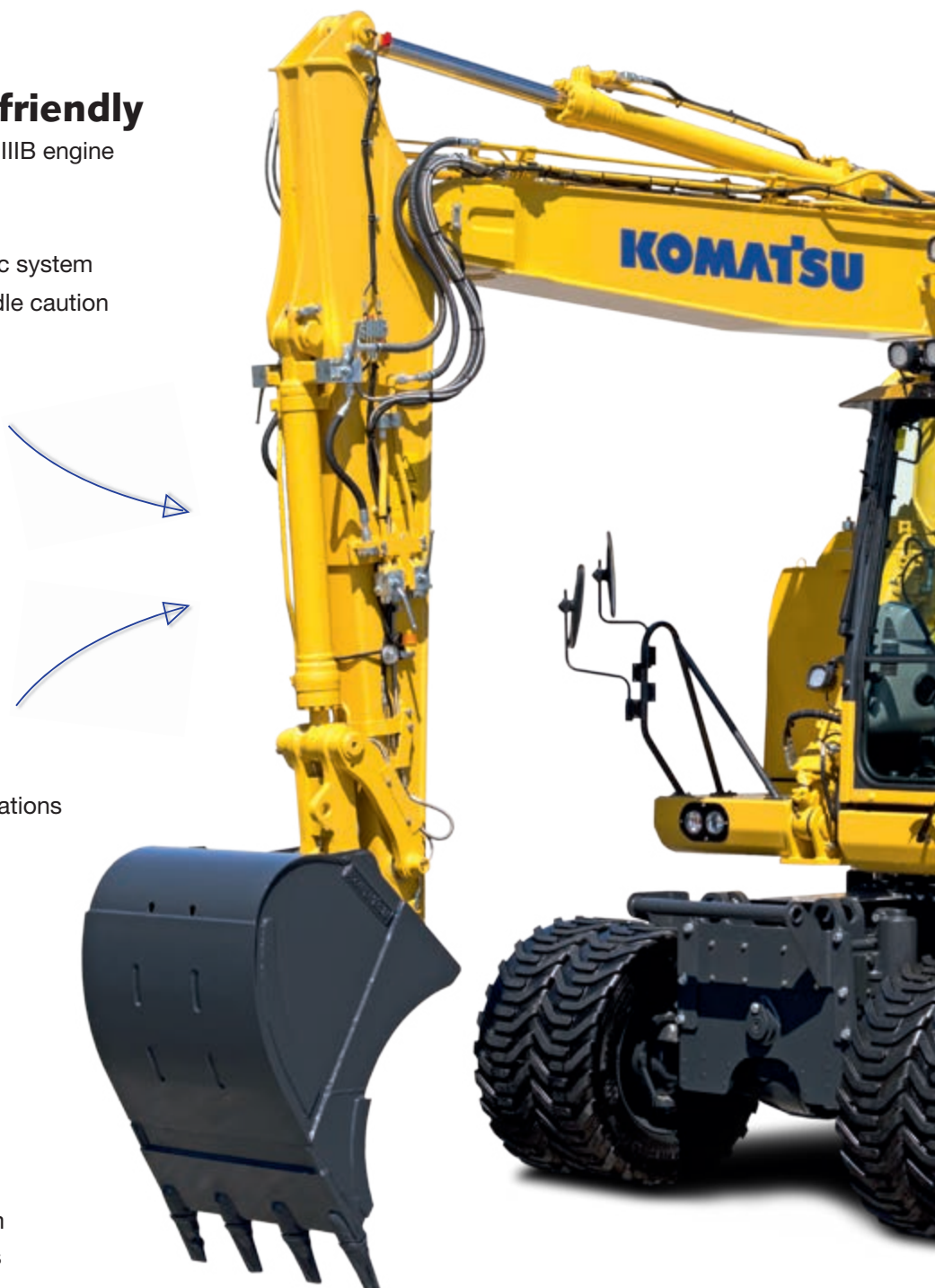
- Low consumption EU Stage IIIB engine
- High lift capacity
- Excellent travel performance
- Komatsu integrated hydraulic system
- Adjustable Eco-gauge and idle caution

Total versatility

- Ideal for a wide range of applications
- Additional hydraulic circuit
- Easily customised



A maintenance program
for Komatsu customers



PW160-10

ENGINE POWER
110 kW / 148 HP @ 2.000 rpm

OPERATING WEIGHT
17.025 - 18.445 kg

BUCKET CAPACITY
max. 1,13 m³

First-class operator comfort

- Newly designed SpaceCab™
- Air-suspended, heated seat
- Improved operator convenience
- Large multifunctional monitor



State-of-the-art controls

- Proportional controls for attachments
- Easy operation
- 6 working modes
- Flexible and versatile

Easy maintenance

- Simple and convenient service
- Easy radiator access
- Centralised greasing system
- Electric refuelling pump



KOMTRAX

Komatsu Wireless
Monitoring System

Total Versatility

Ideal for a wide range of applications

Powerful and precise, the Komatsu PW160-10 is equipped to efficiently carry out any task your business requires. On big sites or small, for digging, trenching, landscaping or site preparation, the Komatsu original equipment hydraulic system always ensures maximum productivity and control.

Additional hydraulic circuit

To allow the use of many attachments, such as buckets, breakers or clamshell buckets, an additional hydraulic circuit controlled by a sliding joystick button, is standard on the PW160-10. To further increase versatility and flexibility, a second optional auxiliary line and an optional hydraulic quick-coupler actuation are also available.

Easily customised

With a choice of different styles of boom, arm and undercarriage attachments, you can configure the PW160-10 to match specific demands for transport, working envelope or duty. The excavator can for instance be equipped with a parallel-moving dozer blade that stabilises the machine without damaging street surfaces. Extra hydraulic arrangements are available for every boom and arm configuration, to make sure that the PW160-10 always contributes strongly to your business.





First-Class Operator Comfort

Newly designed SpaceCab™

The all-new cab provides you with a comfortable and quiet work environment, and with an outstanding visibility of the jobsite. It is ROPS-certified, specifically designed by Komatsu for hydraulic excavators, and its reinforced pipe-structured framework is mounted on viscous damper mounts for low vibration levels. This redesigned cab offers ample storage space and better ergonomics. Unique features include switches that light up for safe and convenient night operation and a standard tiltable and telescopic steering wheel, which you can easily adjust to your height and sitting position.

Air-suspended, heated seat

The high comfort air-suspended seat, with a heating function, lumbar support and multiple possibilities for adjustments, ensures the operator's well being during the entire working day. The seat and the side consoles can be adjusted individually to fit each operator's preference.



Newly designed SpaceCab™

Improved operator convenience

With increased in-cab storage space, an auxiliary input (MP3 jack) and 12 V and 24 V power supply, the cab offers maximum convenience. The automatic air conditioner allows the operator to easily and precisely set the cab's atmosphere.



Auxiliary input (MP3 jack)

Large multifunctional monitor

To enable safe, accurate and smooth work, the user-friendly monitor is the highly intuitive user interface for the machine's Equipment Management and Monitoring System (EMMS). Multilingual and with all essential information available at a glance, it features simple and easy-to-operate switches and multifunction keys that provide the operator with fingertip access to a wide range of functions and operating information.





State-of-the-Art Controls

Proportional controls

The ergonomic joysticks with proportional controls were specially redesigned and developed for working with a wheeled excavator. They have horizontal sliders for the first attachment line – and for the second optional one – and offer safe and precise operation of attachments such as ditch cleaning buckets, sorting grapples, clam-shell buckets, tilt rotators and of many other hydraulic attachments that require very fine control.

Easy operation

The Komatsu PW160-10 introduces a new operational concept that puts full control of the machine right at the operator's fingertips. A rear-view camera, undercarriage attachments and the manual axle lock can all be actuated by buttons on top of the operational levers. Without removing the hand from the right joystick, the operator can switch its function from boom operation to undercarriage control – for complete and precise control over the parallel dozer blade.

6 working modes

Power, Lifting, Breaker, Economy, Attachment Power and Attachment Economy modes are all available, ensuring that the PW160-10 delivers the power you need with minimised fuel usage. The Economy mode can be adjusted for an ideal balance between power and economy to match your work. The oil flow delivered to hydraulic attachments is adjustable directly on the class-leading widescreen monitor panel.

Flexible and versatile

The PW160-10 is factory prepared for the use of any standard tilt rotator. In combination with the optional hydraulic quick-coupler actuation, it achieves a maximum of versatility in any application.



6 working modes available



Easy undercarriage control



Ergonomically designed switches





Powerful and Environmentally Friendly

New Komatsu engine technology

The powerful and fuel-efficient Komatsu SAA4D107E-2 engine in the PW160-10 delivers 110 kW/ 148 HP and is EU Stage IIIB certified. To maximise power, fuel efficiency and emission compliance, it is turbo charged and features direct fuel injection, air-to-air after cooling and cooled EGR.

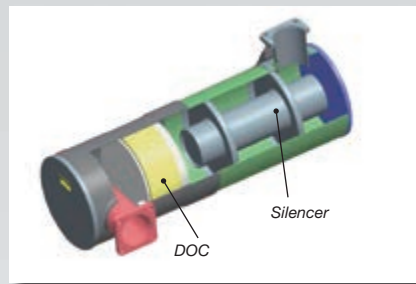
Komatsu integrated hydraulic system

The PW160-10 is a highly responsive and productive machine with all major hydraulic parts designed and manufactured by Komatsu. The electronic Closed-centre Load Sensing hydraulic System (CLSS) offers complete control during individual or combined movements – without sacrificing performance or productivity.



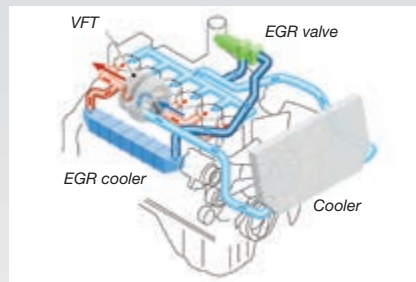
Komatsu Diesel Oxidation Catalyst (KDOC)

A simple and high efficiency diesel oxidation catalyst that eliminates the need for PM regeneration and simplifies the engine control system. It integrates a high performance exhaust noise silencer and helps to reduce engine noise.



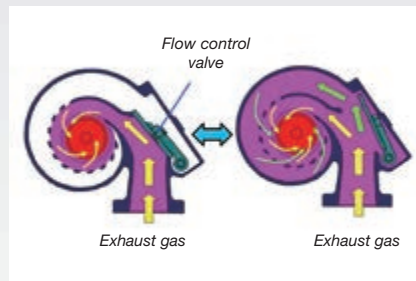
Exhaust Gas Recirculation (EGR)

Cooled EGR is a technology well-proven in current Komatsu engines. The increased capacity of the EGR cooler now ensures very low NOx emissions and a better engine performance.



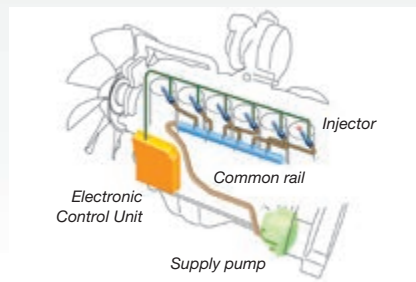
Variable Flow Turbocharger (VFT)

Varies the intake airflow. The wheel speed of the exhaust turbine is controlled by a valve for optimum airflow to the engine combustion chamber, under any load or speed conditions. The exhaust gas is cleaner, with no reduction in power or performance.



Komatsu Closed Crankcase Ventilation (KCCV)

Crankcase emissions (blow-by gas) are passed through a CCV filter. The oil mist trapped in the filter is returned back to the crankcase while the filtered gas is returned to the air intake.



High-Pressure Common Rail (HPCR)

To achieve complete fuel burn and lower exhaust emissions, the heavy-duty High-Pressure Common Rail fuel injection system is computer controlled to deliver a precise quantity of pressurised fuel into the redesigned engine combustion chamber by multiple injections.

High lift capacity

Along with its class-leading compact size, the PW160-10 features an unrivalled lifting performance. The combination of power, convenient dimensions and complete control makes the PW160-10 the first choice for heavy-duty lifting applications or simple excavating tasks in narrow alleys, road-construction sites and for sewer-construction work.



Excellent travel performance

Wheeled excavators are built to move quickly on and between jobsites. To increase its mobility, the PW160-10 features a completely reworked driveline for faster travel and uphill driving speeds. For extra comfort, cruise control and a driveline-power-up function are also standard equipment.

Adjustable Eco-gauge and idle caution

The new Eco-gauge can be set to target a fuel consumption value, encouraging the operator to work as efficiently as possible. And to further avoid wasting fuel when the machine is not actually working, a standard-fit idle caution is displayed if the engine idles for 5 minutes or more.



Active Eco recommendations

Easy Maintenance



Easy radiator access

Thanks to a side-by-side cooler arrangement, the aftercooler and hydraulic oil radiator can be cleaned easily and repaired individually in case of damage.

Electric refuelling pump

Standard equipment on all PW160-10 includes an automatic shut-off fuelling pump that allows easy refuelling from a barrel.

Simple and convenient service

The large doors and engine hood give convenient access to all daily service points. Filters are centralised and required service intervals are longer to keep machine downtime to a minimum.



Centralised greasing system

The PW160-10 features a centralised system that facilitates the regular greasing of the complete revolving frame, boom system and of the centre joint. An optional fully automatic greasing system can handle the regular and proper greasing of the complete machine – prolonging the lifetime and increasing the resale value of the excavator.



Komatsu CARE™

Komatsu CARE™ is a maintenance program that comes as standard with your new Komatsu machine. It covers factory-scheduled maintenance, performed with Komatsu Genuine parts by Komatsu-trained technicians. Depending on your machine's engine, it also offers extended coverage of the Komatsu Diesel Particulate Filter (KDPF) or the Komatsu Diesel Oxidation Catalyst (KDOC), and of the Selective Catalytic Reduction (SCR). Please contact your local Komatsu distributor for terms and conditions.





Komatsu Wireless Monitoring System

The way to higher productivity

KOMTRAX™ uses the latest wireless monitoring technology. Compatible on PC, smartphone or tablet, it delivers insightful and cost saving information about your fleet and equipment, and offers a wealth of information to facilitate peak machine performance. By creating a tightly integrated web of support it allows proactive and preventive maintenance and helps to efficiently run a business.

Power

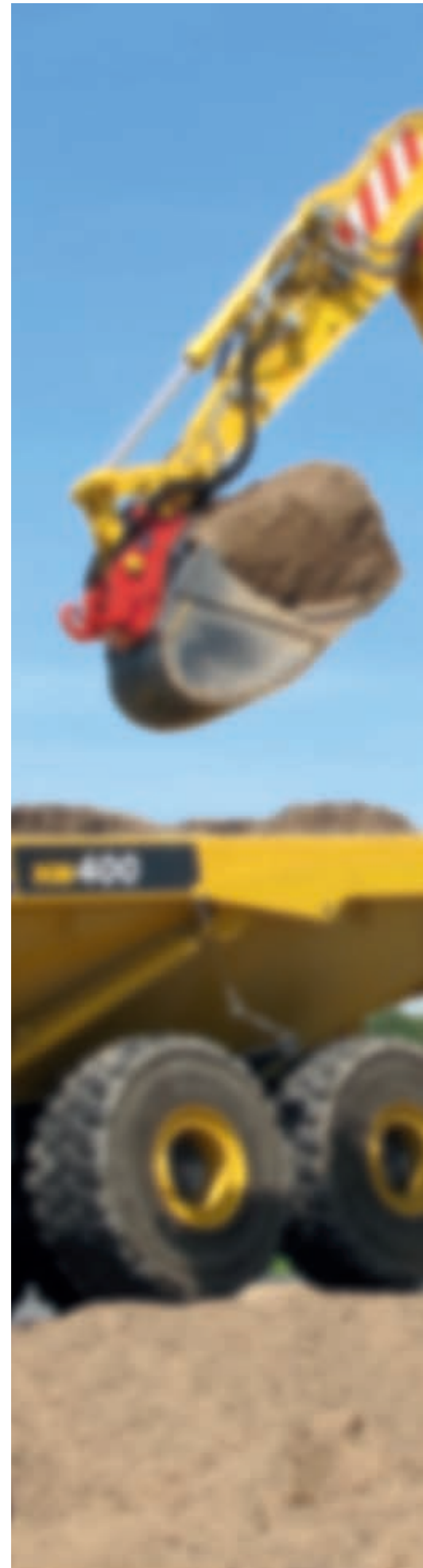
The detailed information that KOMTRAX™ puts at your fingertips 24 hours a day, 7 days a week gives the power to make better daily and long-term strategic decisions – at no extra cost. Problems can be anticipated, maintenance schedules customised, downtime minimised and machines kept where they belong: working on the jobsite.

Knowledge

You get quick answers to basic and critical questions about your machines – what they're doing, when they did it, where they're located, how they can be used more efficiently, and when they need to be serviced. Performance data is relayed by wireless communication technology (Satellite, GPRS or 3G depending on model) from the machine to a computer and to the local Komatsu distributor – who's readily available for expert analysis and feedback.

Convenience

KOMTRAX™ enables convenient fleet management on the web, wherever you are. Data is analysed and packaged specifically for effortless and intuitive viewing in maps, lists, graphs and charts. You can foresee eventual maintenance issues and required spare parts, and troubleshoot a problem before Komatsu technicians arrive on site.





Highest Safety Standards

Optimal jobsite safety

Safety features on the Komatsu PW160-10 comply with the latest industry standards and work together as a system to minimise risks to personnel in and around the machine. An audible travel alarm further promotes jobsite safety. Very durable anti-slip plates – with additional high friction covering – maintain long term traction performance.

Rear-view camera

A standard fitment camera gives an exceptionally clear view of the rear work zone on the widescreen monitor panel. The low profile camera is adjustable and integrated into the counterweight's shape. On request, another camera can be added to the right side of the machine.



Rear-view camera



Safe SpaceCab™

Safe SpaceCab™

Specifically designed for Komatsu excavators, the Dash 10 cab has a tubular steel frame. It provides very high shock absorbency, impact resistance and durability. The seat belt keeps the operator in the safety zone of the cab in the event of a roll-over. On request, the Komatsu PW160-10 can also be fitted with an ISO 10262 Level 2 Falling Object Protective System (FOPS).

Safe and easy maintenance

Thermal guards are placed around high temperature parts of the engine. The fan belt and pulleys are well protected and in case of damage, fire risk is reduced by a pump/engine partition that prevents hydraulic oil from spraying onto the engine. The engine hood is hinged to the rear, with anti-slip plates positioned around the engine bay to ensure safe and easy access from all sides. Exceptionally sturdy handrails further contribute to a high safety level.





Specifications

ENGINE

Model	Komatsu SAA4D107E-2
Type	Common rail direct injection, water-cooled, emissionised, turbocharged, after-cooled diesel
Engine power	
at rated engine speed	2.000 rpm
ISO 14396	110 kW/148 HP
ISO 9249 (net engine power)	104 kW/139 HP
No. of cylinders	4
Bore × stroke	107 × 124 mm
Displacement	4,5 l
Batteries	2 × 12 V/120 Ah
Alternator	24 V/60 A
Starter motor	24 V/5,5 kW
Air filter type	Double element type with monitor panel dust indicator and auto dust evacuator
Cooling	Suction type cooling fan

HYDRAULIC SYSTEM

Type	HydraMind. Closed-centre system with load sensing and pressure compensation valves
Additional circuits	Depending on the specification up to 2 additional proportional control & quick coupler circuits can be installed
Main pump	Variable displacement piston pump supplying boom, arm, bucket, swing and travel circuits
Maximum pump flow	308 l/min
Relief valve settings	
Implement	380 bar
Travel	420 bar
Swing	295 bar
Pilot circuit	36 bar

BRAKE SYSTEM

Type	Dual circuit hydraulic braking system supplied from a separate gear pump
Service brakes	Pedal actuated wet multidisc brakes integrated into the axle hubs
Parking brake	Electrically actuated wet multidisc “spring actuation hydraulic release” brake integrated into the transmission

ENVIRONMENT

Engine emissions	Fully complies with EU Stage IIIB exhaust emission regulations
Noise levels	
LwA external	102 dB(A) (2000/14/EC Stage II)
LpA operator ear	69 dB(A) (ISO 6396 dynamic test)
Vibration levels (EN 12096:1997)	
Hand/arm	≤ 2,5 m/s ² (uncertainty K = 0,495 m/s ²)
Body	≤ 0,5 m/s ² (uncertainty K = 0,16 m/s ²)
Contains fluorinated greenhouse gas HFC-134a (GWP 1430).	
Quantity of gas 0,9 kg, CO ₂ equivalent 1,29 t.	

SWING SYSTEM

Type	Axial piston motor driving through planetary double reduction gearbox
Swing lock	Electrically actuated wet multidisc brake integrated into swing motor
Swing speed	0 - 11 rpm
Swing torque	41 kNm

TRANSMISSION

Type	Fully automatic power shift transmission with permanent 4 wheel drive
Travel motors	One variable displacement axial piston motor
Maximum pressure	380 bar
Travel modes	Automatic + 3 travel modes
Max. travel speeds	
Hi / Lo / Creep	35,0 / 10,5 / 2,5 km/h
A max. speed restriction of 20 km/h is available as an option	
Maximum drawbar pull	96 kN
Axle oscillation	10° Lockable in any position from the operator cab

STEERING SYSTEM

Steering control	Hydraulic steering system supplied from a separate gear pump and controlled through LS orbitrol & priority valves.
Minimum turning radius	6.790 mm (to center of outer wheel)

SERVICE REFILL CAPACITIES

Fuel tank	290 l
Radiator	22 l
Engine oil	17 l
Swing drive	4,5 l
Hydraulic tank	166 l
Transmission	4,85 l
Front differential	10,5 l
Rear differential	9,5 l
Front axle hub	2,5 l
Rear axle hub	2,0 l
Swing pinion grease bath amount	9,0 l

OPERATING WEIGHT (APPR.)

Undercarriage attachment type	Mono boom	Two-piece boom
Without	16.275 kg	16.455 kg
Rear blade	17.025 kg	17.205 kg
Rear outrigger	17.275 kg	17.455 kg
2 outriggers + blade	18.025 kg	18.205 kg
4 outriggers	18.275 kg	18.455 kg

Operating weight, including specified work equipment, 2.500 mm arm, bucket 525 kg, quick coupler 170 kg, operator, lubricant, coolant, full fuel tank and the standard equipment.

MAX. BUCKET CAPACITY AND WEIGHT

Arm length	Mono boom		
	2,1 m	2,5 m	3,0 m
Material weight up to 1,2 t/m ³	1,13 m ³ 675 kg	0,75 m ³ 525 kg	0,66 m ³ 495 kg
Material weight up to 1,5 t/m ³	0,94 m ³ 615 kg	0,66 m ³ 495 kg	0,56 m ³ 465 kg
Material weight up to 1,8 t/m ³	0,75 m ³ 525 kg	0,56 m ³ 465 kg	0,47 m ³ 435 kg
Arm length	Two-piece boom		
	2,1 m	2,5 m	3,0 m
Material weight up to 1,2 t/m ³	1,13 m ³ 675 kg	1,04 m ³ 645 kg	0,94 m ³ 615 kg
Material weight up to 1,5 t/m ³	0,94 m ³ 615 kg	0,85 m ³ 585 kg	0,75 m ³ 525 kg
Material weight up to 1,8 t/m ³	0,75 m ³ 525 kg	0,75 m ³ 525 kg	0,66 m ³ 495 kg

Max. capacity and weight have been calculated according to ISO 10567:2007.

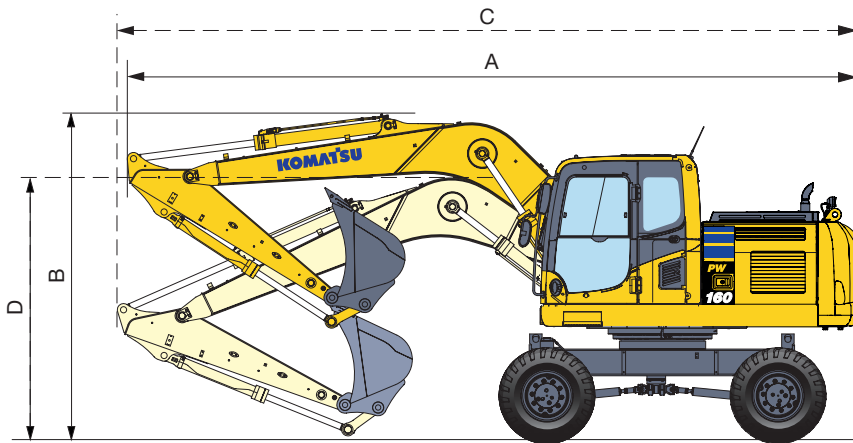
Please consult with your distributor for the correct selection of buckets and attachments to suit the application.

BUCKET AND ARM FORCE

Arm length	2,1 m	2,5 m	3,0 m
Bucket digging force	95 kN	95 kN	95 kN
Bucket digging force at PowerMax	102 kN	102 kN	102 kN
Arm crowd force	71 kN	60 kN	50 kN
Arm crowd force at PowerMax	76 kN	64 kN	53 kN

Dimensions

MONO BOOM



Driving position

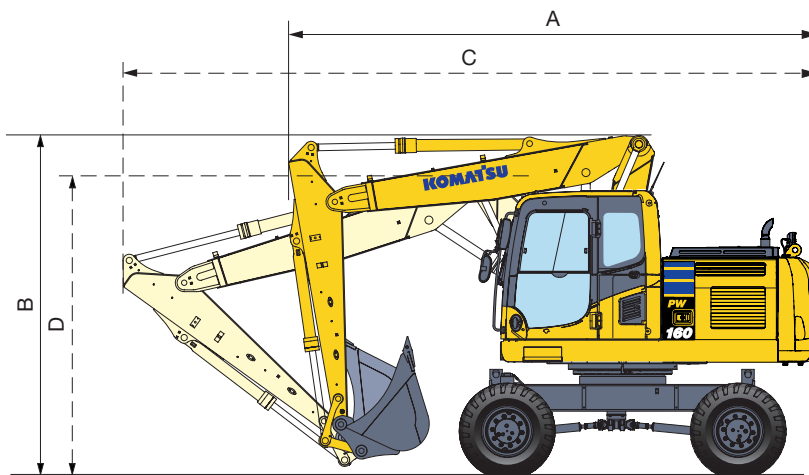
Arm length	A	B
2.100 mm	8.375 mm	3.215 mm
2.500 mm	8.375 mm	3.215 mm
* 3.000 mm	8.375 mm	3.215 mm

* Driving position without bucket

Transport position

Arm length	C	D
2.100 mm	8.930 mm	3.185 mm
2.500 mm	8.345 mm	3.235 mm
3.000 mm	8.365 mm	3.415 mm

TWO-PIECE BOOM



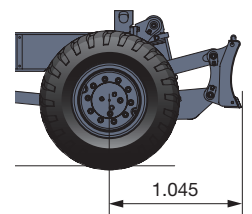
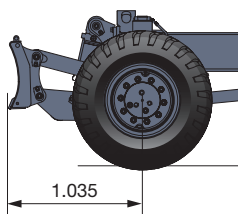
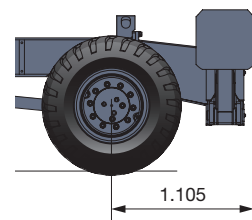
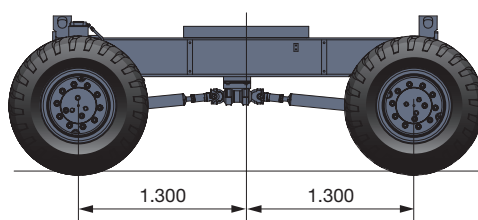
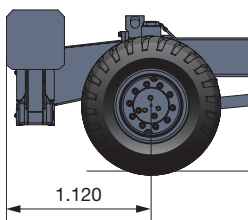
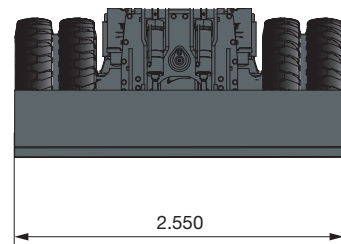
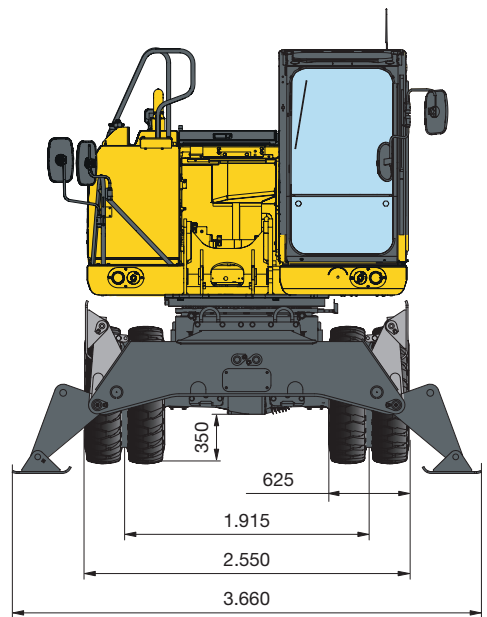
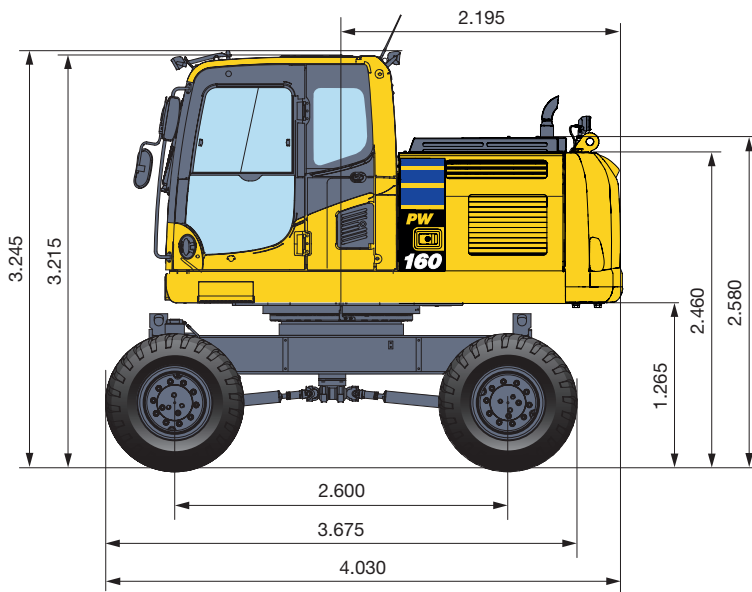
Driving position

Arm length	A	B
2.100 mm	6.040 mm	3.970 mm
2.500 mm	6.085 mm	3.970 mm
* 3.000 mm	6.245 mm	3.970 mm

* Driving position without bucket

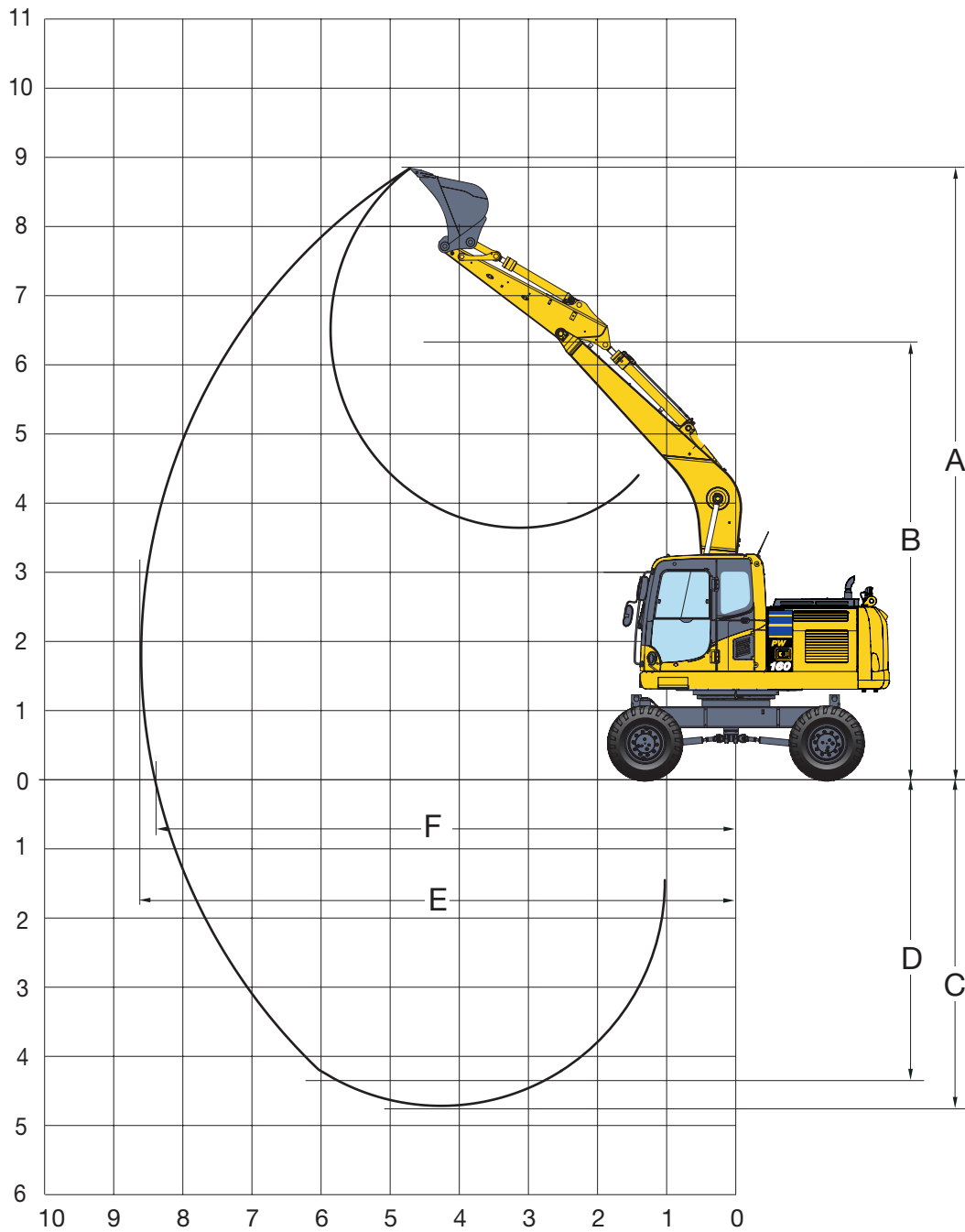
Transport position

Arm length	C	D
2.100 mm	8.090 mm	3.215 mm
2.500 mm	8.105 mm	3.215 mm
3.000 mm	8.105 mm	3.215 mm



Working Range

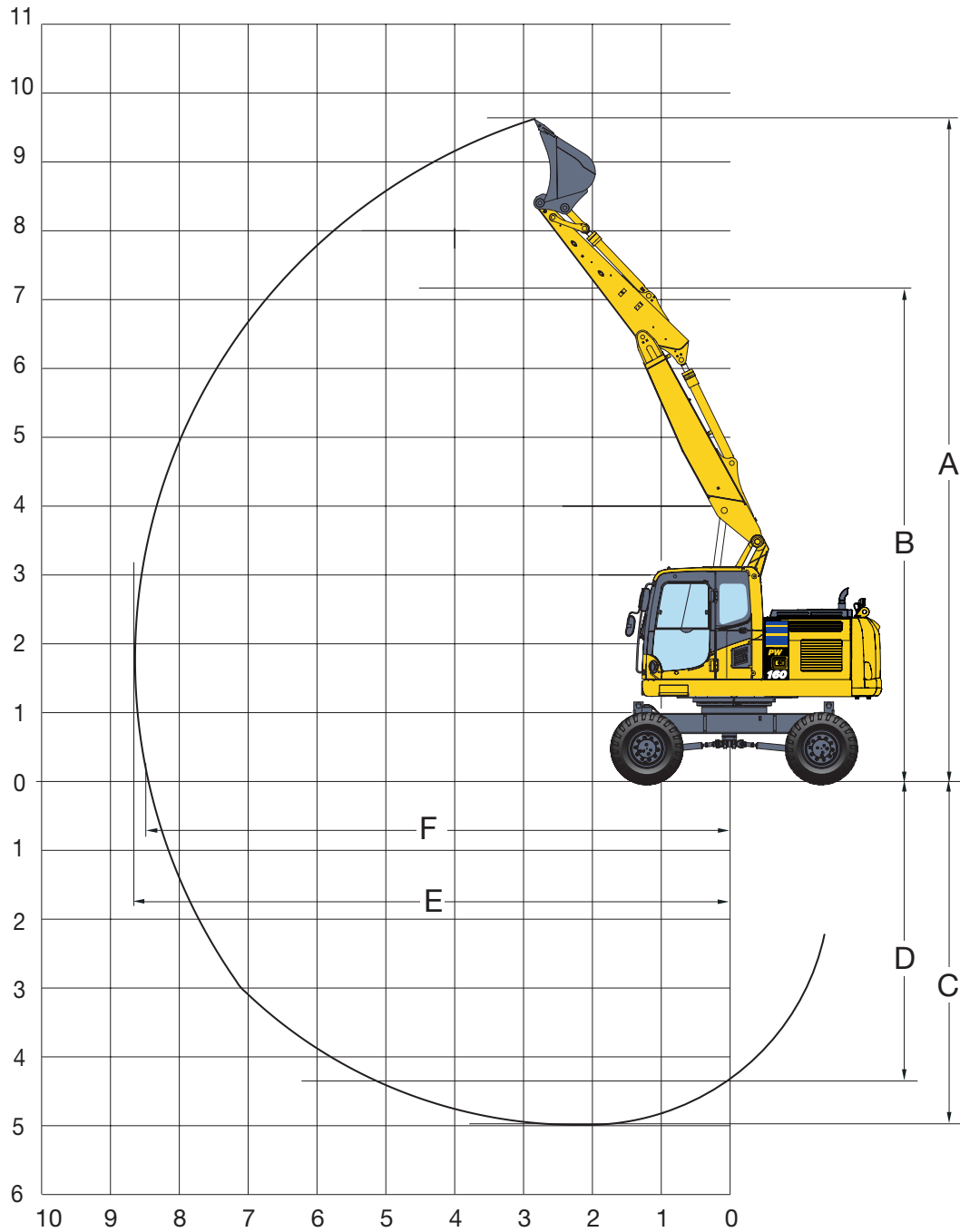
MONO BOOM



ARM LENGTH	2,1 m	2,5 m	3,0 m
A Max. digging height	8.730 mm	8.930 mm	9.285 mm
B Max. dumping height	6.335 mm	6.555 mm	6.911 mm
C Max. digging depth	4.925 mm	5.320 mm	5.600 mm
D Max. digging depth of cut for 2,44 m level	4.077 mm	4.477 mm	4.977 mm
E Max. digging reach	8.640 mm	9.070 mm	9.485 mm
F Max. digging reach at ground level	8.620 mm	8.885 mm	9.315 mm
Min. swing radius	3.205 mm	3.160 mm	3.180 mm



TWO-PIECE BOOM




ARM LENGTH	2,1 m	2,5 m	3,0 m
A Max. digging height	9.611 mm	9.910 mm	10.337 mm
B Max. dumping height	7.135 mm	7.433 mm	7.860 mm
C Max. digging depth	4.968 mm	5.365 mm	5.861 mm
D Max. digging depth of cut for 2,44 m level	4.660 mm	5.062 mm	5.562 mm
E Max. digging reach	8.533 mm	8.905 mm	9.397 mm
F Max. digging reach at ground level	8.343 mm	8.715 mm	9.224 mm
Min. swing radius	2.330 mm	2.423 mm	2.979 mm


Lifting Capacity

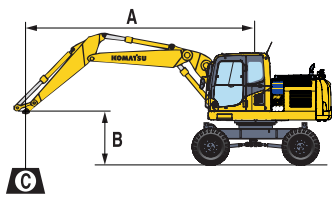
Mono boom

Arm length	A	7,5 m		6,0 m		4,5 m		3,0 m		1,5 m				
		B												
 Without stabilizer	2,1 m	7,5 m kg	*2.850	*2.850										
		6,0 m kg	*2.500	*2.500		3.850	2.800							
		4,5 m kg	*2.400	2.100		3.750	2.750	5.850	4.200					
		3,0 m kg	*2.400	1.850	2.650	1.900	3.650	2.650	5.550	3.900				
		1,5 m kg	2.500	1.800	2.600	1.850	3.550	2.550	5.000	3.650				
		0,0 m kg	2.550	1.850			3.450	2.400	5.100	3.500	*4.300	*4.300		
		- 1,5 m kg	2.700	2.050			3.400	2.400	5.100	3.450	*8.350	6.200		
		- 3,0 m kg	3.550	2.550					5.100	3.550	*6.850	6.300		
		- 4,5 m kg												
	2,5 m	7,5 m kg	*2.350	*2.350										
		6,0 m kg	*2.050	*2.050		*3.700	2.850							
		4,5 m kg	*2.050	1.950	*2.350	1.950	3.800	2.800	*5.050	4.250				
		3,0 m kg	*2.050	1.750	2.650	1.900	3.700	2.650	5.600	4.000				
		1,5 m kg	*2.150	1.650	2.600	1.850	3.550	2.550	5.300	3.700				
		0,0 m kg	*2.350	1.700	2.550	1.800	3.450	2.400	5.100	3.500	*4.800	*4.800		
		- 1,5 m kg	2.600	1.850			3.400	2.400	5.050	3.450	*7.800	6.150	*4.700	*4.700
		- 3,0 m kg	3.150	2.250			3.400	2.400	5.100	3.450	*7.900	6.250		
		- 4,5 m kg												
	3,0 m	7,5 m kg	*1.900	*1.900			*2.500	*2.500						
		6,0 m kg	*1.700	*1.700			*3.350	2.850						
		4,5 m kg	*1.700	1.650	2.700	1.950	3.800	2.750						
		3,0 m kg	*1.700	1.500	2.600	1.850	3.650	2.600	5.650	4.000	*9.550	7.250		
		1,5 m kg	*1.750	1.500	2.550	1.800	3.500	2.450	5.300	3.650				
		0,0 m kg	*1.950	1.500	2.450	1.750	3.350	2.350	5.050	3.450	*5.050	*5.050		
		- 1,5 m kg	*2.250	1.600	2.400	1.700	3.300	2.300	4.950	3.350	*7.050	5.950	*4.050	*4.050
		- 3,0 m kg	2.700	1.900			3.300	2.250	4.950	3.300	*8.950	6.000	*6.650	*6.650
		- 4,5 m kg	*2.700	2.600					*4.050	3.450	*5.550	*5.550		
 Front or rear blade	2,1 m	7,5 m kg	*2.850	*2.850										
		6,0 m kg	*2.500	*2.850		*3.850	3.200							
		4,5 m kg	*2.400	2.400		*5.250	3.150	*6.250						
		3,0 m kg	*2.400	2.150	*3.000	2.200	*5.650	3.050	*7.350	4.800				
		1,5 m kg	*2.550	2.100	*3.850	2.150	*5.950	2.900	*8.150	4.500				
		0,0 m kg	*2.850	2.150			*5.900	2.850	*8.050	4.250	*4.300	*4.300		
		- 1,5 m kg	*3.400	2.350			*5.300	2.800	*7.150	4.100	*8.350	7.350		
		- 3,0 m kg	*3.550	2.900					*5.400	4.050	*6.850	*6.900		
		- 4,5 m kg									4.150			
	2,5 m	7,5 m kg	*2.350	*2.350										
		6,0 m kg	*2.050	*2.050			*3.700	3.250						
		4,5 m kg	*2.050	*2.000	*2.350	2.250	*4.650	3.150	*5.050	4.850				
		3,0 m kg	*2.050	2.000	*3.700	2.200	*5.450	3.050	*7.000	4.600				
		1,5 m kg	*2.150	1.950	*4.500	2.150	*5.850	2.900	*8.000	4.300				
		0,0 m kg	*2.350	1.950	*4.400	2.100	*5.950	2.850	*8.150	4.100	*4.800	*4.800		
		- 1,5 m kg	*2.800	2.150			*5.450	2.750	*7.450	4.050	*7.800	7.300	*4.700	*4.700
		- 3,0 m kg	*3.600	2.600			*4.150	2.800	*5.950	4.050	*7.900	7.400		
		- 4,5 m kg												
	3,0 m	7,5 m kg	*1.900	*1.900			*2.500	*2.500						
		6,0 m kg	*1.700	*1.700			*3.350	3.250						
		4,5 m kg	*1.700	*1.700	*3.000	2.250	*3.850	3.150						
		3,0 m kg	*1.700	*1.650	*3.750	2.150	*5.050	3.000	*6.450	4.600	*9.550	8.450		
		1,5 m kg	*1.750	1.750	*4.550	2.100	*5.600	2.850	*7.550	4.250				
		0,0 m kg	*1.950	1.750	*4.550	2.050	*5.800	2.750	*8.000	4.050	*5.050	*5.000		
		- 1,5 m kg	*2.250	1.900	*4.100	2.000	*5.600	2.700	*7.650	3.900	*7.050	7.100	*4.050	*4.050
		- 3,0 m kg	*2.800	2.250			*4.650	2.700	*6.400	3.900	*8.950	7.200	*6.650	*6.650
		- 4,5 m kg	*2.700	*2.650					*4.050	4.050	*5.550	*5.550		
 Rear outrigger	2,1 m	7,5 m kg	*2.850	*2.850										
		6,0 m kg	*2.500	*2.500		*3.850	*3.850							
		4,5 m kg	*2.400	*2.400		*5.250	3.800	*6.250	5.850					
		3,0 m kg	*2.400	*2.400	*3.000	2.700	*5.650	3.700	*7.350	5.550				
		1,5 m kg	*2.550	*2.550	*3.850	2.650	*5.950	3.600	*8.150	5.250				
		0,0 m kg	*2.850	2.600			*5.900	3.450	*8.050	5.100	*4.300	*4.300		
		- 1,5 m kg	*3.400	2.900			*5.300	3.450	*7.150	5.100	*8.350	*8.350		
		- 3,0 m kg	*3.550	*3.550					*5.400	5.150	*6.850	*6.850		
		- 4,5 m kg												
	2,5 m	7,5 m kg	*2.350	*2.350										
		6,0 m kg	*2.050	*2.050			*3.700	*3.750						
		4,5 m kg	*2.050	*2.000	*2.350	*2.300	*4.650	3.850	*5.050	*5.000				
		3,0 m kg	*2.050	*2.000	*3.700	2.700	*5.450	3.750	*7.000	5.600				
		1,5 m kg	*2.150	*2.150	*4.500	2.650	*5.850	3.600	*8.000	5.300				
		0,0 m kg	*2.350	*2.350	*4.400	2.550	*5.950	3.450	*8.150	5.100	*4.800	*4.800		
		- 1,5 m kg	*2.800	2.650			*5.450	3.450	*7.450	5.050	*7.800	*7.800	*4.700	*4.700
		- 3,0 m kg	*3.600	3.200			*4.150	3.450	*5.950	5.100	*7.900	*7.900		
		- 4,5 m kg												
	3,0 m	7,5 m kg	*1.900	*1.900			*2.500	*2.500						
		6,0 m kg	*1.700	*1.700			*3.350	*3.350						
		4,5 m kg	*1.700	*1.700	*3.000	2.700	*3.850	3.850						
		3,0 m kg	*1.700	*1.650	*3.750	2.650	*5.050	3.700	*6.450	5.650	*9.550	*9.550		
		1,5 m kg	*1.750	*1.750	*4.550	2.550	*5.600	3.550	*7.550	5.300				
		0,0 m kg	*1.950	*1.950	*4.550	2.550	*5.800	3.400	*8.000	5.050	*5.050	*5.050		
		- 1,5 m kg	*2.250	*2.250	*4.100	2.500	*5.600	3.300	*7.650	4.950	*7.050	*7.050	*4.050	*4.050
		- 3,0 m kg	*2.800	2.750			*4.650	3.300	*6.400	4.950	*8.950	*8.950	*6.650	*6.650
		- 4,5 m kg	*2.700	*2.650					*4.050	*4.050	*5.550	*5.550		



Arm length	A	⊗		7,5 m		6,0 m		4,5 m		3,0 m		1,5 m			
		⊗	⊗	⊗	⊗	⊗	⊗	⊗	⊗	⊗	⊗	⊗	⊗		
 <p>Outrigger + blade</p>	2,1 m	7,5 m	kg	*2.850	*2.850										
		6,0 m	kg	*2.500	*2.500		*3.850	*3.850							
		4,5 m	kg	*2.400	*2.400		*5.250	4.750	*6.250	*6.250					
		3,0 m	kg	*2.400	*2.400	*3.000	*3.000	*5.650	4.650	*7.350	7.050				
		1,5 m	kg	*2.550	*2.550	*3.850	*3.850	*5.950	4.500	*8.150	6.750				
		0,0 m	kg	*2.850	*2.850			*5.900	4.400	*8.050	6.600	*4.300	*4.300		
		-1,5 m	kg	*3.400	*3.400			*5.300	4.350	*7.150	6.600	*8.350	*8.350		
		-3,0 m	kg	*3.550	*3.550					*5.400	*5.400	*6.850	*6.850		
		-4,5 m	kg												
	2,5 m	7,5 m	kg	*2.350	*2.350										
		6,0 m	kg	*2.050	*2.050		*3.700	*3.700							
		4,5 m	kg	*2.050	*2.050	*2.350	*2.350	*4.650	*4.650	*5.050	*5.050				
		3,0 m	kg	*2.050	*2.050	*3.700	3.350	*5.450	4.650	*7.000	*7.000				
		1,5 m	kg	*2.150	*2.150	*4.500	3.300	*5.850	4.500	*8.000	6.800				
		0,0 m	kg	*2.350	*2.350	*4.400	3.250	*5.950	4.400	*8.150	6.600	*4.800	*4.800		
		-1,5 m	kg	*2.800	*2.800			*5.450	4.350	*7.450	6.550	*7.800	*7.800	*4.700	*4.700
		-3,0 m	kg	*3.600	*3.600			*4.150	*4.150	*5.950	*5.950	*7.900	*7.900		
		-4,5 m	kg												
	3,0 m	7,5 m	kg	*1.900	*1.900			*2.500	*2.500						
		6,0 m	kg	*1.700	*1.700			*3.350	*3.350						
		4,5 m	kg	*1.700	*1.700	*3.000	*3.000	*3.850	*3.850						
		3,0 m	kg	*1.700	*1.700	*3.750	3.300	*5.050	4.650	*6.450	*6.450	*9.550	*9.550		
		1,5 m	kg	*1.750	*1.750	*4.550	3.250	*5.600	4.450	*7.550	6.800				
		0,0 m	kg	*1.950	*1.950	*4.550	3.150	*5.800	4.350	*8.000	6.550	*5.050	*5.050		
		-1,5 m	kg	*2.250	*2.250	*4.100	3.150	*5.600	4.250	*7.650	6.450	*7.050	*7.050	*4.050	*4.050
		-3,0 m	kg	*2.800	*2.800			*4.650	4.250	*6.400	*6.400	*8.950	*8.950	*6.650	*6.650
		-4,5 m	kg	*2.700	*2.700					*4.050	*4.050	*5.550	*5.550		

 <p>Outrigger front + rear</p>	2,1 m	7,5 m	kg	*2.850	*2.850										
		6,0 m	kg	*2.500	*2.500		*3.850	*3.850							
		4,5 m	kg	*2.400	*2.400		*5.250	*5.250	*6.250	*6.250					
		3,0 m	kg	*2.400	*2.400	*3.000	*3.000	*5.650	*5.650	*7.350	*7.350				
		1,5 m	kg	*2.550	*2.550	*3.850	*3.850	*5.950	5.550	*8.150	*8.150				
		0,0 m	kg	*2.850	*2.850			*5.900	5.450	*8.050	*8.050	*4.300	*4.300		
		-1,5 m	kg	*3.400	*3.400			*5.300	*5.300	*7.150	*7.150	*8.350	*8.350		
		-3,0 m	kg	*3.550	*3.550					*5.400	*5.400	*6.850	*6.850		
		-4,5 m	kg												
	2,5 m	7,5 m	kg	*2.350	*2.350										
		6,0 m	kg	*2.050	*2.050		*3.700	*3.700							
		4,5 m	kg	*2.050	*2.050	*2.350	*2.350	*4.650	*4.650	*5.050	*5.050				
		3,0 m	kg	*2.050	*2.050	*3.700	*3.700	*5.450	*5.450	*7.000	*7.000				
		1,5 m	kg	*2.150	*2.150	*4.500	4.050	*5.850	5.550	*8.000	*8.000				
		0,0 m	kg	*2.350	*2.350	*4.400	3.950	*5.950	5.450	*8.150	*8.150	*4.800	*4.800		
		-1,5 m	kg	*2.800	*2.800			*5.450	5.400	*7.450	*7.450	*7.800	*7.800	*4.700	*4.700
		-3,0 m	kg	*3.600	*3.600			*4.150	*4.150	*5.950	*5.950	*7.900	*7.900		
		-4,5 m	kg												
	3,0 m	7,5 m	kg	*1.900	*1.900			*2.500	*2.500						
		6,0 m	kg	*1.700	*1.700			*3.350	*3.350						
		4,5 m	kg	*1.700	*1.700	*3.000	*3.000	*3.850	*3.850						
		3,0 m	kg	*1.700	*1.700	*3.750	*3.750	*5.050	*5.050	*6.450	*6.450	*9.550	*9.550		
		1,5 m	kg	*1.750	*1.750	*4.550	4.000	*5.600	5.550	*7.550	*7.550				
		0,0 m	kg	*1.950	*1.950	*4.550	3.900	*5.800	5.400	*8.000	*8.000	*5.050	*5.050		
		-1,5 m	kg	*2.250	*2.250	*4.100	3.900	*5.600	5.300	*7.650	*7.650	*7.050	*7.050	*4.050	*4.050
		-3,0 m	kg	*2.800	*2.800			*4.650	*4.650	*6.400	*6.400	*8.950	*8.950	*6.650	*6.650
		-4,5 m	kg	*2.700	*2.700					*4.050	*4.050	*5.550	*5.550		



- A – Reach from swing center
- B – Bucket hook height
- C – Lifting capacities, including bucket linkage (120 kg) and bucket cylinder (109 kg)

When removing linkage or cylinder, lifting capacities can be increased by their respective weights.

* Load is limited by hydraulic capacity rather than tipping. Ratings are based on SAE Standard No. J11097. Rated loads do not exceed 87% of hydraulic lift capacity or 75% of tipping load.


-  – Rating over front
-  – Rating over side
-  – Rating at maximum reach


Lifting Capacity

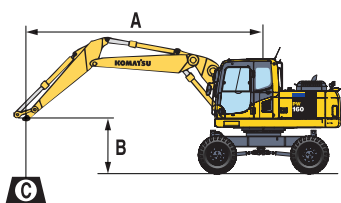
TWO-PIECE BOOM

Arm length	A	7,5 m		6,0 m		4,5 m		3,0 m		1,5 m		
 Without stabilizer	2,1 m	7,5 m kg	*3.200	*3.200				*4.250	*4.250			
		6,0 m kg	*2.700	2.550			3.800	2.800	*4.850	4.350		
		4,5 m kg	*2.600	2.100			3.750	2.750	*5.850	4.200	*5.850	*5.850
		3,0 m kg	*2.600	1.900			3.650	2.600	5.550	3.900		
		1,5 m kg	2.550	1.800	2.600	1.850	3.550	2.550	5.250	3.600		
		0,0 m kg	2.600	1.850			3.450	2.400	5.100	3.500	*4.300	*4.300
		- 1,5 m kg	2.900	2.100			3.450	2.400	5.100	3.450	*8.400	6.200
	- 3,0 m kg	4.150	2.900					5.150	3.550			
	- 4,5 m kg											
	2,5 m	7,5 m kg	*2.600	*2.600					*4.000	*4.250		
		6,0 m kg	*2.300	*2.300			*3.750	2.800	*4.050	4.350		
		4,5 m kg	*2.150	1.950			3.800	2.750	*4.700	4.200		*5.850
		3,0 m kg	*2.150	1.750	2.650		3.700	2.600	5.650	3.900		
		1,5 m kg	*2.300	1.650	2.600	1.850	3.550	2.550	5.350	3.600		
		0,0 m kg	2.250	1.700	2.550		3.450	2.400	5.100	3.500	*4.750	*4.300
		- 1,5 m kg	2.650	1.900			3.400	2.400	5.050	3.450	*7.900	6.200
	- 3,0 m kg	3.300	2.300			3.450		5.100	3.550			
	- 4,5 m kg											
	3,0 m	7,5 m kg	*2.100	*2.100			*2.500	*2.500				
		6,0 m kg	*1.900	*1.900			*3.350	2.850				
		4,5 m kg	*1.800	1.700	2.550	1.950	*3.750	2.750	*3.600	*3.600		
		3,0 m kg	*1.800	1.550	2.500	1.850	3.700	2.600	5.750	4.050	*9.200	7.350
		1,5 m kg	*1.850	1.500	2.550	1.800	3.550	2.450	5.400	3.700		
		0,0 m kg	*2.050	1.500	2.350	1.750	3.400	2.350	5.100	3.450	*5.000	*5.000
		- 1,5 m kg	*2.350	1.650	2.450	1.700	3.300	2.250	4.950	3.300	*7.100	5.950
	- 3,0 m kg	2.800	1.950			3.300	2.300	5.000	3.300	9.650	6.000	
	- 4,5 m kg											
 Front or rear blade	2,1 m	7,5 m kg	*3.200	*3.200				*4.250				
		6,0 m kg	*2.700	*2.700			*3.800	3.300	*4.850	*4.900		
		4,5 m kg	*2.600	2.400			*5.200	3.150	*5.850	4.800	*5.850	*5.850
		3,0 m kg	*2.600	2.200			*5.900	3.000	*7.550	4.500		
		1,5 m kg	*2.700	2.100	*3.450	2.150	*6.400	2.900	*8.700	4.250		
		0,0 m kg	*3.000	2.150			*6.550	2.850	*8.950	4.100	*4.300	*4.300
		- 1,5 m kg	*3.550	2.400			*6.100	2.800	*8.400	4.050	*8.400	7.350
	- 3,0 m kg	*5.650	3.400					*6.750	4.150			
	- 4,5 m kg											
	2,5 m	7,5 m kg	*2.600	*2.600					*4.000	*4.000		
		6,0 m kg	*2.300	*2.300			*3.750	3.250	*4.050	*4.050		
		4,5 m kg	*2.150	*2.150			*4.500	3.150	*4.700	*4.700		
		3,0 m kg	*2.150	2.050	*3.650	2.200	*5.650	3.050	*7.050	4.600		
		1,5 m kg	*2.300	1.950	*4.400	2.150	*6.200	2.900	*8.350	4.300		
		0,0 m kg	*2.500	2.000	*4.100	2.100	*6.500	2.850	*8.950	4.100	*4.750	*4.750
		- 1,5 m kg	*2.950	2.200			*6.300	2.750	*8.600	4.050	*7.900	7.300
	- 3,0 m kg	*4.350	2.700			*5.050	2.800	*7.300	4.050			
	- 4,5 m kg											
	3,0 m	7,5 m kg	*2.100	*2.100			*2.500	*2.500				
		6,0 m kg	*1.900	*1.900			*3.350	3.250				
		4,5 m kg	*1.800	*1.800	*3.000	2.250	*3.750	3.150	*3.600	*3.600		
		3,0 m kg	*1.800	*1.800	*3.700	2.150	*4.750	3.000	*5.850	4.650	*9.200	8.600
		1,5 m kg	*1.850	1.750	*4.400	2.100	*5.900	2.850	*7.900	4.300		
		0,0 m kg	*2.050	1.800	*4.900	2.050	*6.350	2.750	*8.700	4.050	*5.000	*5.000
		- 1,5 m kg	*2.350	1.950	*3.900	2.000	*6.350	2.700	*8.700	3.900	*7.100	7.100
	- 3,0 m kg	*2.950	2.250			*5.600	2.700	*7.800	3.900	*11.050	7.200	
	- 4,5 m kg											
 Rear outrigger	2,1 m	7,5 m kg	*3.200	*3.200				*4.250	*4.250			
		6,0 m kg	*2.700	*2.700			*3.800	*3.800	*4.850	*4.850		
		4,5 m kg	*2.600	*2.600			*5.200	3.800	*5.850	*5.850	*5.850	*5.850
		3,0 m kg	*2.600	*2.600			*5.900	3.700	*7.550	5.550		
		1,5 m kg	*2.700	2.550	*3.450	2.650	*6.400	3.600	*8.700	5.300		
		0,0 m kg	*3.000	2.650			*6.550	3.450	*8.950	5.100	*4.300	*4.300
		- 1,5 m kg	*3.550	2.950			*6.100	3.450	*8.400	5.100	*8.400	*8.400
	- 3,0 m kg	*5.650	4.200					*6.750	5.150			
	- 4,5 m kg											
	2,5 m	7,5 m kg	*2.600	*2.600					*4.000	*4.000		
		6,0 m kg	*2.300	*2.300			*3.750	*3.750	*4.050	*4.050		
		4,5 m kg	*2.150	*2.150			*4.500	3.850	*4.700	*4.700		
		3,0 m kg	*2.150	*2.150	*3.650	2.700	*5.650	3.750	*7.050	5.650		
		1,5 m kg	*2.300	*2.300	*4.400	2.650	*6.200	3.600	*8.350	5.350		
		0,0 m kg	*2.500	2.450	*4.100	2.550	*6.500	3.450	*8.950	5.100	*4.750	*4.750
		- 1,5 m kg	*2.950	2.700			*6.300	3.450	*8.600	5.050	*7.900	*7.900
	- 3,0 m kg	*4.350	3.300			*5.050	3.450	*7.300	5.100			
	- 4,5 m kg											
	3,0 m	7,5 m kg	*2.100	*2.100			*2.500	*2.500				
		6,0 m kg	*1.900	*1.900			*3.350	*3.350				
		4,5 m kg	*1.800	*1.800	*3.000	2.700	*3.750	*3.750	*3.600	*3.600		
		3,0 m kg	*1.800	*1.800	*3.700	2.650	*4.750	3.700	*5.850	5.700	*9.300	*9.300
		1,5 m kg	*1.850	*1.850	*4.400	2.550	*5.900	3.550	*7.900	5.300		
		0,0 m kg	*2.050	*2.000	4.650	2.550	*6.350	3.400	*8.700	5.050	*5.000	*5.000
		- 1,5 m kg	*2.350	*2.300	*3.900	2.500	*6.350	3.300	*8.700	4.950	*7.100	*7.100
	- 3,0 m kg	*2.950	2.800			*5.600	3.350	*7.800	4.950	*11.050	9.350	
	- 4,5 m kg											



Arm length	A	⊗		7,5 m		6,0 m		4,5 m		3,0 m		1,5 m			
		⊗	⊗	⊗	⊗	⊗	⊗	⊗	⊗	⊗	⊗	⊗	⊗		
 <p>Outrigger + blade</p>	2,1 m	7,5 m	kg	*3.200	*3.200					*4.250	*4.250				
		6,0 m	kg	*2.700	*2.700			*3.800	*3.800	*4.850	*4.850				
		4,5 m	kg	*2.600	*2.600			*5.200	4.750	*5.850	*5.850	*5.850	*5.850		
		3,0 m	kg	*2.600	*2.600			*5.900	4.650	*7.550	7.100				
		1,5 m	kg	*2.700	*2.700	*3.450	3.300	*6.400	4.500	*8.700	6.800				
		0,0 m	kg	*3.000	*3.000			*6.550	4.400	*8.950	6.600	*4.300	*4.300		
		- 1,5 m	kg	*3.550	*3.550			*6.100	4.350	*8.400	6.600	*8.400	*8.400		
		- 3,0 m	kg	*5.650	5.300					*6.750	6.650				
		- 4,5 m	kg												
	2,5 m	7,5 m	kg	*2.600	*2.600					*4.000	*4.000				
		6,0 m	kg	*2.300	*2.300			*3.750	*3.750	*4.050	*4.050				
		4,5 m	kg	*2.150	*2.150			*4.500	*4.500	*4.700	*4.700				
		3,0 m	kg	*2.150	*2.150	*3.650	3.350	*5.650	4.650	*7.050	*7.050				
		1,5 m	kg	*2.300	*2.300	*4.400	3.300	*6.200	4.500	*8.350	6.850				
		0,0 m	kg	*2.500	*2.500	*4.100	3.250	*6.500	4.400	*8.950	6.600	*4.750	*4.750		
		- 1,5 m	kg	*2.950	*2.950			*6.300	4.350	*8.600	6.550	*7.900	*7.900		
		- 3,0 m	kg	*4.350	4.200			*5.050	4.350	*7.300	6.600				
		- 4,5 m	kg												
	3,0 m	7,5 m	kg	*2.100	*2.100			*2.500	*2.500						
		6,0 m	kg	*1.900	*1.900			*3.350	*3.350						
		4,5 m	kg	*1.800	*1.800	*3.000	*3.000	*3.750	*3.750	*3.600	*3.600				
		3,0 m	kg	*1.800	*1.800	*3.700	3.300	*4.750	4.650	*5.850	*5.850	*9.200	*9.200		
		1,5 m	kg	*1.850	*1.850	*4.400	3.250	*5.900	4.500	*7.900	6.850				
		0,0 m	kg	*2.050	*2.050	*4.900	3.150	*6.350	4.350	*8.700	6.550	*5.000	*5.000		
		- 1,5 m	kg	*2.350	*2.350	*3.900	3.150	*6.350	4.250	*8.700	6.450	*7.100	*7.100	*3.900	*3.900
		- 3,0 m	kg	*2.950	*2.950			*5.600	4.250	*7.800	6.450	*11.050	*11.050		
		- 4,5 m	kg												



 <p>Outrigger front + rear</p>	2,1 m	7,5 m	kg	*3.200	*3.200					*4.250	*4.250				
		6,0 m	kg	*2.700	*2.700			*3.800	*3.800	*4.850	*4.850				
		4,5 m	kg	*2.600	*2.600			*5.200	*5.200	*5.850	*5.850	*5.850	*5.850		
		3,0 m	kg	*2.600	*2.600			*5.900	5.700	*7.550	*7.550				
		1,5 m	kg	*2.700	*2.700	*3.450	*3.450	*6.400	5.550	*8.700	8.700				
		0,0 m	kg	*3.000	*3.000			*6.550	5.500	*8.950	8.550	*4.300	*4.300		
		- 1,5 m	kg	*3.550	*3.550			*6.100	5.450	*8.400	*8.400	*8.400	*8.400		
		- 3,0 m	kg	*5.650	*5.650					*6.750	*6.750				
		- 4,5 m	kg												
	2,5 m	7,5 m	kg	*2.600	*2.600					*4.000	*4.000				
		6,0 m	kg	*2.300	*2.300			*3.750	*3.750	*4.050	*4.050				
		4,5 m	kg	*2.150	*2.150			*4.500	*4.500	*4.700	*4.700				
		3,0 m	kg	*2.150	*2.150	*3.650	*3.650	*5.650	*5.650	*7.050	*7.050				
		1,5 m	kg	*2.300	*2.300	*4.400	4.050	*6.200	5.600	*8.350	*8.350				
		0,0 m	kg	*2.500	*2.500	*4.100	4.000	*6.500	5.450	*8.950	8.550	*4.750	*4.750		
		- 1,5 m	kg	*2.950	*2.950			*6.300	5.400	*8.600	8.450	*7.900	*7.900		
		- 3,0 m	kg	*4.350	*4.350			*5.050	*5.050	*7.300	*7.300				
		- 4,5 m	kg												
	3,0 m	7,5 m	kg	*2.100	*2.100			*2.500	*2.500						
		6,0 m	kg	*1.900	*1.900			*3.350	*3.350						
		4,5 m	kg	*1.800	*1.800	*3.000	*3.000	*3.750	*3.750	*3.600	*3.600				
		3,0 m	kg	*1.800	*1.800	*3.700	*3.700	*4.750	*4.750	*5.850	*5.850	*9.200	*9.200		
		1,5 m	kg	*1.850	*1.850	*4.400	4.000	*5.900	5.550	*7.900	*7.900				
		0,0 m	kg	*2.050	*2.050	*4.900	3.900	*6.350	5.400	*8.700	8.450	*5.000	*5.000		
		- 1,5 m	kg	*2.350	*2.350	*3.900	3.900	*6.350	5.350	*8.700	8.300	*7.100	*7.100	*3.900	*3.900
		- 3,0 m	kg	*2.950	*2.950			*5.600	5.350	*7.800	*7.800	*11.050	*11.050		
		- 4,5 m	kg												



- A – Reach from swing center
- B – Bucket hook height
- C – Lifting capacities, including bucket linkage (120 kg) and bucket cylinder (109 kg)

When removing linkage or cylinder, lifting capacities can be increased by their respective weights.

* Load is limited by hydraulic capacity rather than tipping. Ratings are based on SAE Standard No. J1097. Rated loads do not exceed 87% of hydraulic lift capacity or 75% of tipping load.

-  – Rating over front
-  – Rating over side
-  – Rating at maximum reach

Hydraulic Wheeled Excavator

PW160-10

Standard and Optional Equipment

ENGINE

Komatsu SAA4D107E-2 turbocharged common rail direct injection diesel engine	●
EU Stage IIIB compliant	●
Suction type cooling fan	●
Automatic engine warm-up system	●
Engine overheat prevention system	●
Fuel control dial	●
Auto-deceleration function	●
Engine ignition can be password secured on request	●
Batteries 2 × 12 V/120 Ah	●

SAFETY EQUIPMENT

Rear-view camera system	●
Electric horn	●
Overload warning device	●
Lockable fuel cap and covers	●
Audible travel alarm	●
Large handrails, rear-view mirrors	●
Battery main switch	●
Boom safety valves	●
Arm safety valve	●
Adjust cylinder safety valve	●
OPG Level II front guard (FOPS)	○
OPG Level II top guard (FOPS)	○
Audible travel alarm (white noise version)	○
Side-view camera system	○
Super tone horn (no road approval)	○

SERVICE AND MAINTENANCE

Automatic fuel line de-aeration	●
Double element type air cleaner with dust indicator and auto dust evacuator	●
KOMTRAX™ – Komatsu wireless monitoring system	●
Multifunction video compatible colour monitor with Equipment Management and Monitoring System (EMMS) and efficiency guidance	●
Toolkit	●
Komatsu CARE™	●
Centralised greasing system	●
Automatic greasing system	○

CABIN

SpaceCab™; Highly pressurised and tightly sealed hyper viscous mounted cab with tinted safety glass windows, large roof window with sun shade, pull-up type front window with locking device, removable lower window, front window wiper with intermittent feature, sun roller blind, cigarette lighter, luggage shelf, floor mat	●
Heated air-suspended seat with lumbar support, height adjustable arm rests and retractable seat belt	●
Automatic climate control system	●
12/24 Volt power supplies	●
Beverage holder and magazine rack	●
Hot and cool box	●
Auxiliary input (MP3 jack)	●
CD radio	○
Adjustable, suspended seat	○
Lower wiper	○
Rain visor (not with OPG)	○

HYDRAULIC SYSTEM

Electronic closed-centre load sensing (E-CLSS) hydraulic system (HydrauMind)	●
Pump and engine mutual control (PEMC) system	●
6-working mode selection system; power mode, economy mode, breaker mode, attachment power and attachment economy mode, and lifting mode	●
PowerMax function	●
Adjustable PPC wrist control levers for arm, boom, bucket and swing, with sliding proportional control for attachments and 5 auxiliary buttons, with FNR switch	●
1. additional hydraulic circuit (HCU-B)	●
2. additional hydraulic circuit (HCU-D)	○
Prepared for hydraulic quick-coupler	○

OTHER EQUIPMENT

Electric refuelling pump with automatic shut off function	●
Single chassis tool box (245 l)	●
Additional chassis tool box (245 l)	○
Biodegradable oil for hydraulic system	○
Customised paint	○

UNDERCARRIAGE

Parallel blade (front and/or rear) with cylinder protection	○
2 or 4 outriggers with cylinder protection, individually adjustable	○
Twin tyres 10.00-20 16 PR NB38	○
Twin tyres Bandenmarkt Excavator 315/70 R 22.5	○
Twin tyres Nokian 10.00-20 (L5)	○
Twin tyres Trelleborg T900 10.00-20	○
Single tyres Michelin 18.00-19.5	○
Tyres Bandenmarkt Grader 315/70 R 22.5	○
Fenders	○

DRIVES AND BRAKES

Fully automatic 3-speed transmission driving through front and rear planetary axles	●
Oscillating front axle (10°) with automatic and manual cylinder locking	●
Cruise control	●
20, 25 or 35 km/h speed limitation	○
Transmission guard	○

LIGHTING SYSTEM

Working lights: 2 revolving frame, 1 counterweight (rear)	●
Additional LH & RH boom lamp	○
LED working lights	○
LED boom foot lights	○
Beacon + rear facing cab lamp	○
1 or 2 additional beacons on counterweight	○
Additional large capacity cab roof lights (4)	○

WORK EQUIPMENT

Mono boom	○
Two-piece boom	○
2,1 m; 2,5 m; 3,0 m arms	○
Clamshell grip bar	○

Further equipment on request

- standard equipment
- optional equipment

KOMATSU

**Komatsu Europe
International N.V.**

Mechelsesteenweg 586
B-1800 VILVOORDE (BELGIUM)
Tel. +32-2-255 24 11
Fax +32-2-252 19 81
www.komatsu.eu

Your Komatsu partner:

VENSS05605 02/2017

KOMATSU is a trademark of Komatsu Ltd. Japan.