

# Specifications

## ENGINE

Model .....	Komatsu SAA4D95LE-5
Engine power	
at rated engine speed .....	2.350 rpm
ISO 14396 .....	59,0 kW/79,1 HP
Max. torque/engine speed .....	280 Nm/1.600 rpm
No. of cylinders .....	4
Bore × stroke .....	95 × 115 mm
Displacement .....	3,3 ltr
Injection system .....	Common rail direct injection
Electrical system .....	12 V
Battery .....	92 Ah
Alternator .....	90 A
Air filter type .....	Dry air filter with pre-filter and safety cartridge

## TRANSMISSION

Drive system .....	Hydrostatic transmission, switchable in all directions under full power
Hydrostatic pump .....	1 variable piston pump
Hydrostatic motor .....	1 variable piston motor
Speed ranges (forwards/backwards) .....	2/2
Travel speeds (forwards/backwards) 20 km/h version	
1. speed range .....	0 - 6,0 km/h
2. speed range .....	0 - 20 km/h
Travel speeds (forwards/backwards) 30 km/h version	
1. speed range .....	0 - 7,3 km/h
2. speed range .....	0 - 30 km/h

## CHASSIS AND TYRES

Type .....	Low build rear axle oscillation for optimum stability and for best performance in earthmoving applications
System .....	4-wheel drive
Axles .....	Planetary rigid axles with automatic limited slip differentials in both axles 100% locking differentials as option
Oscillation .....	Rear axle oscillation for optimum stability, oscillation angle 10°
Tyres .....	405/70 R20 (standard)

## SERVICE REFILL CAPACITIES

Cooling system .....	11,5 ltr
Fuel tank .....	140 ltr
Engine oil .....	11,5 ltr
Hydraulic system .....	80 ltr
Front axle .....	9,2 ltr
Rear axle .....	9,2 ltr
Transfer box .....	1,3 ltr

## BRAKES

Operating brakes .....	Combined inch brake pedal actuates maintenance free wet-disc type brakes in the front axle. Self-braking via the hydrostatic drive.
Parking brake .....	Dry disc

## HYDRAULIC SYSTEM

System .....	Open hydraulic system
Working pressure .....	270 bar
Circulating capacity of the hydraulic pump .....	75 ltr/min
No. of boom/bucket cylinders .....	2/1
Type .....	Double-action
Bore diameter × stroke	
Boom cylinder .....	80 × 689 mm
Bucket cylinder .....	100 × 476 mm
Hydraulic control lever .....	Multifunction lever
Kinematic .....	Z-Kinematic with highest breakout force. Parallel movement when using dedicated fork tines.
Hydraulic cycle with rated load bucket filling	
Raise time .....	4,8 s
Lowering time (empty) .....	3,5 s
Dumping time .....	1,6 s

## STEERING SYSTEM

System .....	Articulated frame steering
Type .....	Hydrostatic
Steering angle to either side .....	42°
Steering pump .....	Gear pump
Working pressure .....	175 bar
No. of steering cylinders .....	2
Type .....	Double-action
Bore diameter × stroke .....	60 × 369 mm
Smallest turn (outer edge of the tyre 405/70 R20) .....	4.040 mm

## CABIN

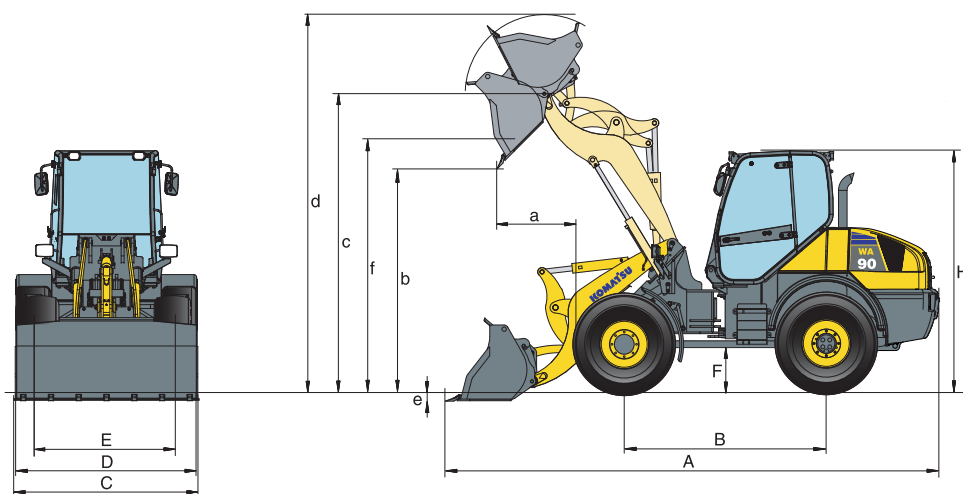
Cabin in conformity with ISO 3471 with ROPS (roll over protective structure) in conformity with SAE J1040c and FOPS (falling object protective structure) in conformity with ISO 3449. The pressurised cabin is mounted upon hydrobearings and is noise dampened. Tilttable for best servicing access.

## ENVIRONMENT

Engine emissions .....	Fully complies with EU Stage IIIA and EPA Tier III exhaust emission regulations
Noise levels .....	Noise levels (external/internal) fully comply 2000/14/EC Stage II and 98/37/EC
Vibration levels (EN 12096:1997)*	
Hand/arm .....	≤ 2,5 m/s <sup>2</sup> (uncertainty K = 0,73 m/s <sup>2</sup> )
Body .....	≤ 0,5 m/s <sup>2</sup> (uncertainty K = 0,59 m/s <sup>2</sup> )

\* for the purpose of risk assessment under directive 2002/44/EC, please refer to ISO/TR 25398:2006.

# Dimensions & Performance Figures



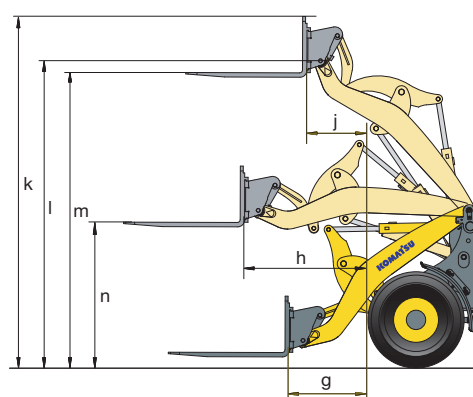
## MEASUREMENTS AND WORKING SPECIFICATIONS

		Universal		Light materials	4-in-1
		w. teeth	w/o teeth	w/o teeth	w. teeth
<b>Bucket capacity (heaped, ISO 7546)</b>	<b>m<sup>3</sup></b>	<b>1,1</b>	<b>1,1</b>	<b>1,6</b>	<b>0,9</b>
Sales code		C61	C11	C13	C16
Material density	t/m <sup>3</sup>	1,8	1,8	1,25	1,8
Bucket weight without teeth	kg	383	360	461	625
Static tipping load, straight	kg	5.010	5.030	4.910	4.800
Static tipping load, 40° articulated	kg	4.265	4.290	4.170	4.050
Breakout force hydraulic	kN	71,4	71,4	59,5	74,2
Lifting capability hydr. at ground level	kN	67,3	67,3	59,3	60,3
Operating weight	kg	6.500	6.475	6.580	6.740
Turning radius at corner of tyres	mm	4.040	4.040	4.040	4.040
Turning radius at bucket edge	mm	4.500	4.500	4.650	4.550
a Reach at 45°	mm	1.030	950	1.140	1.120
b Dump height at 45°	mm	2.600	2.640	2.440	2.505
c Hinge pin height	mm	3.450	3.450	3.450	3.450
d Height top edge of bucket	mm	4.370	4.370	4.445	4.300
e Digging depth	mm	95	95	135	95
f Max. loading height at 45°	mm	3.120	3.120	3.080	3.120
A Overall length, bucket grounded	mm	5.850	5.860	6.130	6.035
B Wheelbase	mm	2.300	2.300	2.300	2.300
C Bucket width	mm	2.050	2.050	2.200	2.050
D Width over tyres	mm	2.015	2.015	2.015	2.015
E Track width	mm	1.590	1.590	1.590	1.590
F Ground clearance	mm	350	350	350	350
H Overall height	mm	2.820	2.820	2.820	2.820

All measurements with tyres 405/70 R20

## PERFORMANCE FIGURES WITH FORK TINES

Sales code	C24
Fork tine type	FEM IIA
<b>Fork tine length</b>	<b>mm 1.200</b>
g Max. reach at ground level	mm 850
h Max. reach	mm 1.385
j Max. reach at max. stacking height	mm 700
k Max. height fork-carrier	mm 3.900
l Hinge pin height	mm 3.450
m Max. stacking height	mm 3.245
n Height of forks at maximum reach	mm 1.580
Max. tipping load, straight	kg 3.750
Max. tipping load, articulated	kg 3.200
Max. payload as per EN 474-3, 80%	kg 2.560
Max. payload as per EN 474-3, 60%	kg 1.920
Weight in working order with fork tines	kg 6.420



# Wheel Loader

## WA90-6

### Standard and Optional Equipment

#### ENGINE

Komatsu SAA4D95LE-5 ecot3 common rail direct injection diesel engine, EU Stage IIIA compliant	●
Alternator 90 A/12 V	●
Starter motor 2,2 kW/12 V	●
Battery 92 Ah/12 V	●

#### TRANSMISSION AND BRAKES

Combined inch/brake pedal	●
Creeping function	○

#### CHASSIS AND TYRES

Heavy-duty axles	●
LSD-differential front and rear	●
100% manual locking differentials front and rear	○
Various tyre types and sizes on request	○

#### HYDRAULIC SYSTEM

3-spool main control valve	●
Multifunction lever	●
Hydraulic quick-coupler	●
Electrical actuation of 3rd hydraulic circuit	●
4th hydraulic circuit	○
Loader control with return-to-dig	○
Auto-inch valve	○
Biodegradable oil for hydraulic system	○

#### SERVICE AND MAINTENANCE

KOMTRAX™ - Komatsu satellite monitoring system	●
Tool-set	●
Air cleaner system with cyclone pre-cleaner	○
Wide core radiator, radiator fan with reversing function	○
Automatic central lubrication	○

#### CABIN

Spacious driver's cab with heating	●
Tilting cab	●
ROPS/FOPS frame according to SAE	●
All-round tinted glazing	●
Front laminated glass	●
Heated rear window	●
Rear window wiper	●
Sun visor	●
Adjustable steering column	●
Suspended seat	●
Seat belt (EU standard)	●
Adjustable wrist rest with integrated small storage box	●
Large storage box at left hand side	●
Instrument panel with gauges for speed, coolant temperature, fuel level, air filter warning light etc.	●
12 Volt power supply	●
Adjustable high comfort seat	○
Air conditioning	○
Radio	○
Sun reflection decal for cab/canopy roof	○

#### SAFETY EQUIPMENT

Emergency steering system	●
Back-up alarm	●
Horn	●
Beacon light	○
Immobilizer	○
Immobilizer with master key	○
Anti-drop valve	○
Battery main switch	○
Fire extinguisher	○

#### LIGHTING SYSTEM

Halogen headlights	●
Reversing lights	●
Additional lights front and rear	○
Xenon headlights, halogen rear lights	○

#### OTHER EQUIPMENT

Z-bar boom (parallel movement when using dedicated fork tines)	●
Counterweight	●
Electronically controlled suspension system load stabilizer (ECSS)	○
Special custom colour	○
Bucket level indicator	○

#### ATTACHMENTS

Bucket with or without teeth	○
4-in-1 bucket	○
Light material buckets	○
Fork carrier and tines	○
Cutting edge guard	○

Further work equipment, accessories and special application arrangements on request

All buckets and attachments quick-coupler mounted

Other attachments on request

- standard equipment
- optional equipment

Your Komatsu partner:

# KOMATSU

**Komatsu Europe  
International NV**

Mechelsesteenweg 586  
B-1800 VILVOORDE (BELGIUM)  
Tel. +32-2-255 24 11  
Fax +32-2-252 19 81  
[www.komatsu.eu](http://www.komatsu.eu)

VESS002403 11/2010

Materials and specifications are subject to change without notice.  
**KOMATSU** is a trademark of Komatsu Ltd. Japan.