

KOMATSU

**PC
16R**

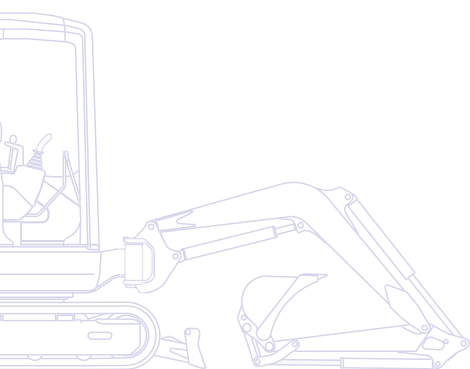


Mini-Excavator **PC16R-3**

ENGINE POWER
11,6 kW / 15,6 HP @ 2.600 rpm

OPERATING WEIGHT
1.570 - 1.920 kg

BUCKET CAPACITY
0,03 - 0,06 m³

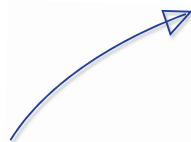
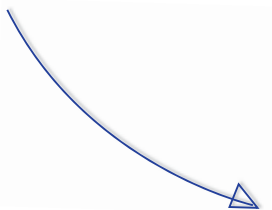


Walk-Around

The new PC16R-3 compact mini-excavator is the product of the competence and technology that Komatsu has acquired over 80 years. It was developed with constant attention to the needs of customers from all over the world. The end result is a user-friendly machine that offers top-class performance.

Complete versatility

- Standard 1- or 2-way auxiliary line for attachments
- Numerous configurations available
- Ideal for a wide range of applications



Outstanding performance

- Optimal power and digging speed in confined spaces
- Perfect control even during combined operations
- Fast and precise movements



PC16R-3

ENGINE POWER
11,6 kW / 15,6 HP @ 2.600 rpm

OPERATING WEIGHT
1.570 - 1.920 kg

BUCKET CAPACITY
0,03 - 0,06 m³

Highest operator comfort

- Spacious working environment ensures outstanding comfort
- Excellent accessibility to and from the machine
- Pressure Proportional Control (PPC) servo-controls



Easy serviceability

- Easy access to all daily inspection points
- Tilting canopy / cab provides access for larger maintenance jobs
- Extended 500-hour service interval

Extremely robust

- Excellent stability and safety for maximum operator confidence in any conditions
- High quality standards guarantee longer life-time for all components
- ROPS and FOPS compliant canopy / cab



KOMTRAX

Komatsu Satellite
Monitoring System
(Option)

Outstanding Performance

Outstanding performance

The easy-to-use PC16R-3 allows all operators to get the best from their machine – whether they are experts or novices. The controls are user-friendly and dedicated to each movement. Smooth operations, enhanced by the CLSS hydraulic system, in combination with perfect visibility of the working area guarantee maximum productivity in even the toughest situations.



Highest Operator Comfort



Highest operator comfort

Designed with the utmost attention to detail, the operator's environment ensures outstanding comfort, accessibility and visibility. The canopy or cab allows easy access to and from the machine. Once seated, the spacious, obstacle-free floor allows even the tallest operators room to move their legs. For even greater comfort, an adjustable seat and PPC controls are fitted as standard.



The two-speed tracking is operated via a switch on the dashboard. The dashboard also allows the operator to monitor all machine functions.

Extremely Robust



Extremely robust

A number of particular technical solutions contribute to the PC16R-3's increased sturdiness and operability. These include a cast swing support that makes the structure extremely rigid, and a boom that houses the hydraulic hoses, protecting them from possible damage and guaranteeing the best visibility of the digging area. Furthermore, the choice of metal for the bonnets and covers guarantees a longer life and lower repair costs in case of collision.





Customisation

With many configurations available, you can choose exactly the right machine for a specific job: long or short arm, canopy or cab, rubber or steel shoes, standard or extendible undercarriage. Moreover, the 1- / 2-way auxiliary hydraulic circuit allows the use of a wide range of working tools like a hammer, clamshell bucket, auger etc.

Variable undercarriage

For applications requiring maximum versatility in terms of size and stability, the PC16R-3 is also available with hydraulic undercarriage extension, which is operated from the operator's seat via a push button and the blade control lever. This feature allows the operator to quickly switch from maximum stability for working to a reduced width of less than one metre for driving through narrow passages or doors.



Easy Serviceability

Easy serviceability

All periodic inspection points are easily accessible through the machine's bonnets. In addition, larger maintenance tasks can be performed by simply tilting the canopy / cab upwards.

ORFS hydraulic face seal connectors and DT electrical connectors enhance the machine's reliability and makes repairs faster and easier. Special technical solutions have allowed the interval for most ordinary maintenance operations, such as pin greasing and engine oil changes, to be extended to up to 500 hours.



Right bonnet: simple inspection and cleaning of the radiators



Rear bonnet: quick engine check and fuel tank refilling



Left bonnet: easy access to the battery

Komatsu Satellite Monitoring System



Komtrax is a revolutionary machine tracking system designed to save you time and money. You can now monitor your equipment anytime and anywhere. Use valuable machine data received via the Komtrax web site to optimise your maintenance planning and machine performances.

With Komtrax, you can:

- Check when & where your machines are at work
- Be informed of unauthorized machine use or movement
- Set and receive e-mail notification for security alarms

For further details on Komtrax, please ask your Komatsu dealer for the latest Komtrax brochure.



Machine working time - With the "daily working record" chart, get precise engine running time data: when your machine was started and when it was shut down, as well as total engine running time.



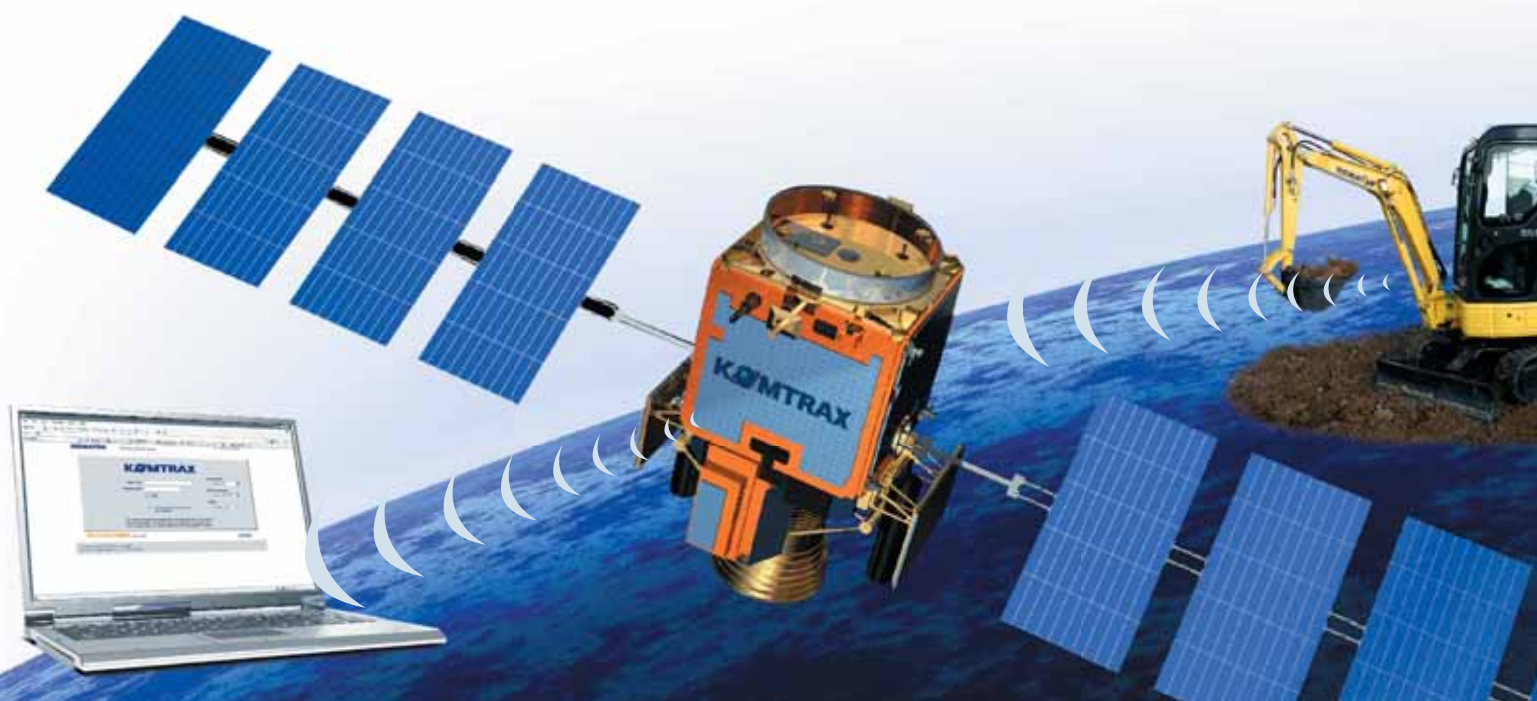
Fleet location - The machine list instantly locates all your machines, even those in other countries.



Alarm notifications - You can receive notification of alarms both via the Komtrax website and by e-mail.



Added security - The "engine lock" feature allows to program when a machine's engine can be started. And with "geo-fence", Komtrax sends notification every time your machine moves in or out of a predetermined operating area.



Specifications

ENGINE

The new generation engine has been developed to comply with the strictest emission controls.

Model	Komatsu 3D67E-2A
Type	emissionised 4-cycle diesel engine
Displacement.....	778 cm ³
No. of cylinders	3
Engine power	
at rated engine speed.....	2.600 rpm
ISO 14396	11,6 kW/15,6 HP
ISO 9249 (net engine power)	11,2 kW/15,0 HP
Max. torque/engine speed	44,1 Nm/1.800 rpm
Cooling system.....	water
Air filter type	dry
Starter motor	electric motor with pre-heating air system for cold climate

OPERATING WEIGHT

Operating weight with standard bucket, fully serviced, +75 kg operator (ISO 6016).

Operating weight with rubber shoes	1.570 kg
Operating weight with steel shoes	1.630 kg
Heated cab weight	+120 kg (optional)
Variable undercarriage.....	+170 kg

HYDRAULIC SYSTEM

Type	Komatsu CLSS
Main pump	1 × variable displacement pump
Max. pump flow.....	40,8 ltr/min
Max. operating pressure	21 MPa (210 bar)
Bucket digging force (ISO 6015)	1.420 daN (1.450 kg)
Arm crowd force (ISO 6015):	
965 mm arm.....	900 daN (920 kg)
1.215 mm arm.....	715 daN (730 kg)

The digging equipment is fully controlled by PPC servo-controls. All movements are stopped by lifting the safety lever on the tilting case.

TRANSMISSION

Type	double speed hydrostatic transmission, controlled and steered by means of two levers or two pedals
Hydraulic motors	2 × axial pistons
Reduction system.....	planetary gear
Max. drawbar pull.....	1.490 daN (1.520 kgf)
Travel speed	2,2 / 4,2 km/h

SWING SYSTEM

The rotation is operated by means of an orbital hydraulic motor. Single ball-bearing ring with internal, induction hardened toothring. Centralised lubrication of the unit.

Swing speed.....	8,9 rpm
------------------	---------

BLADE

Type	electro-welded, single unit structure with extensions
Width × height	1.020 × 250 mm
Max. lifting above ground level	280 mm
Max. depth below ground level	155 mm

UNDERCARRIAGE

Track rollers (each side).....	3
Shoe width	230 mm
Ground pressure (standard).....	0,3 kg/cm ²

ELECTRIC SYSTEM

Voltage.....	12 V
Battery	41 Ah
Alternator.....	40 A
Starter motor	1,2 kW

SERVICE CAPACITIES

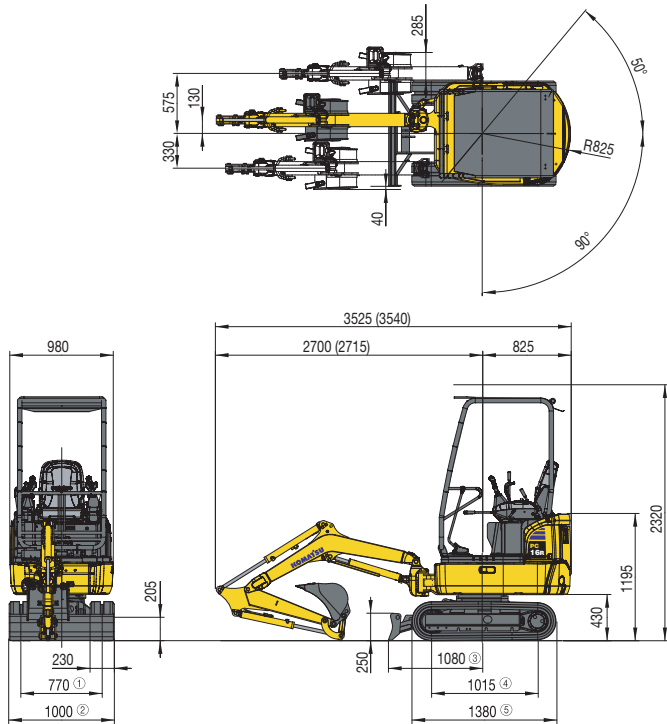
Fuel tank.....	19 ltr
Radiator and system	3,1 ltr
Engine oil (refill)	3,3 ltr
Hydraulic system (refill)	1,2 ltr

ENVIRONMENT

Vibration levels (EN 12096:1997)*	
Hand/arm.....	≤ 2,5 m/s ² (uncertainty K = 1,2 m/s ²)
Body	≤ 0,5 m/s ² (uncertainty K = 0,2 m/s ²)

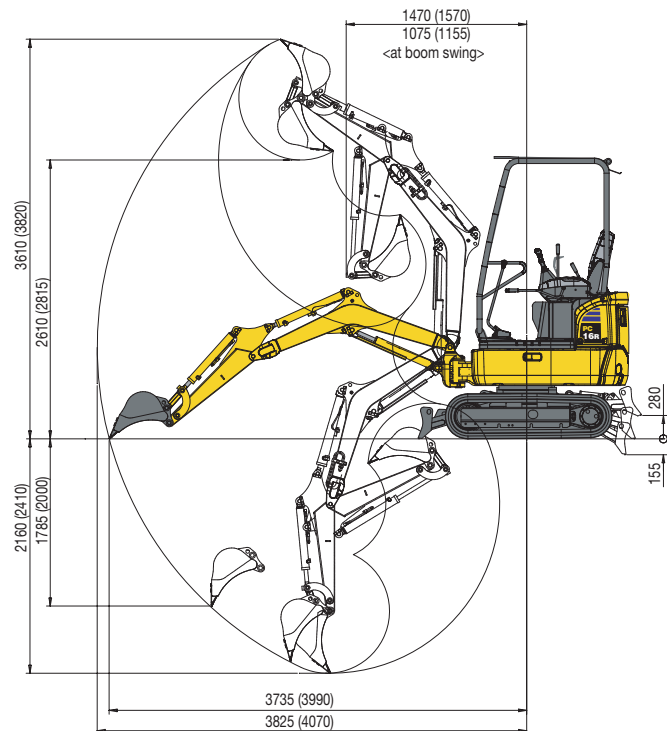
* for the purpose of risk assessment under directive 2002/44/EC, please refer to ISO/TR 25398:2006.

Dimensions & Working Range



HS version:

- ① 750 - 1.070 mm
- ② 980 - 1.300 mm
- ③ 1.145 mm
- ④ 1.212 mm
- ⑤ 1.555 mm



BUCKET RANGE

Width mm	Capacity m ³ (ISO 7451)	Weight kg	No. of teeth
250	0,03	19	2
300	0,035	20	3
350	0,04	22	3
400	0,05	23	3
450	0,06	25	4

Canopy, rubber shoes, 350 mm bucket, blade down

A - Distance from machine's center B - Height at bucket pin

ARM LENGTH 965 mm

A	2 m		2,5 m		3 m		Max. outreach	
	Front	360°	Front	360°	Front	360°	Front	360°
2 m	(*)286	(*)286	(*)278	230	-	-	(*)279	172
1 m	(*)486	299	(*)364	217	(*)303	163	(*)284	142
0 m	(*)600	278	(*)426	204	(*)324	157	(*)296	146
-1 m	(*)480	281	(*)331	206	-	-	(*)298	196

Unit: kg

ARM LENGTH 1.215 mm

A	2 m		2,5 m		3 m		Max. outreach	
	Front	360°	Front	360°	Front	360°	Front	360°
2 m	-	-	(*)229	(*)229	(*)235	168	(*)242	145
1 m	(*)417	302	(*)324	216	(*)276	161	(*)247	122
0 m	(*)584	273	(*)412	200	(*)317	152	(*)259	125
-1 m	(*)525	271	(*)373	197	-	-	(*)266	159

Unit: kg

Canopy, rubber shoes, 350 mm bucket, blade down, HS version

A - Distance from machine's center B - Height at bucket pin

ARM LENGTH 965 mm

A	2 m		2,5 m		3 m		Max. outreach	
	Front	360°	Front	360°	Front	360°	Front	360°
2 m	(*)286	(*)286	(*)278	(*)278	-	-	(*)279	(*)279
1 m	(*)486	(*)486	(*)364	353	(*)303	269	(*)284	237
0 m	(*)600	468	(*)426	340	(*)324	263	(*)296	244
-1 m	(*)480	471	(*)331	(*)331	-	-	(*)298	(*)298

Unit: kg

ARM LENGTH 1.215 mm

A	2 m		2,5 m		3 m		Max. outreach	
	Front	360°	Front	360°	Front	360°	Front	360°
2 m	-	-	(*)229	(*)229	(*)235	(*)235	(*)242	(*)242
1 m	(*)417	(*)417	(*)324	(*)324	(*)276	267	(*)247	209
0 m	(*)584	463	(*)412	336	(*)317	258	(*)259	214
-1 m	(*)525	461	(*)373	333	-	-	(*)266	(*)266

Unit: kg

NOTE:

Ratings are based on ISO standard 10567. Rated loads do not exceed 87% of hydraulic lift capacity or 75% of tipping load.

- The values marked with an asterisk (*) are limited by the hydraulic capacities.
- Calculations are based on the machine resting on a uniform and firm surface.
- The lifting point is a hypothetical hook placed behind the bucket.

Mini-Excavator

PC16R-3

Standard Equipment

- ROPS (ISO 3471) / FOPS (ISO 10262)
- Rubber shoes
- 965 mm digging arm
- 1 / 2 way auxiliary hydraulic circuit for attachments up to the boom
- Two speeds with "Automatic Shift Down"
- Adjustable seat
- Lifting cylinder guard
- Working light on boom
- Safety valve on bucket element
- Travel acoustic alarm

Optional Equipment

- Komtrax - Komatsu satellite monitoring system
- ROPS (ISO 3471) / FOPS (ISO 10262) tilting cab with heating
- Steel shoes
- 1.215 mm digging arm
- Variable undercarriage (HS version)
- Bucket range (250 - 450 mm)
- 1.000 mm ditch cleaning bucket
- Extension of the auxiliary hydraulic circuit up to the arm, with quick couplings
- Rotating beacon
- Biodegradable oil
- Rear-view mirrors
- Travel pedals

Your Komatsu partner:

KOMATSU

**Komatsu Europe
International NV**

Mechelsesteenweg 586
B-1800 VILVOORDE (BELGIUM)
Tel. +32-2-255 24 11
Fax +32-2-252 19 81
www.komatsu.eu

WESS005003 12/2010

Materials and specifications are subject to change without notice.
KOMATSU is a trademark of Komatsu Ltd. Japan.