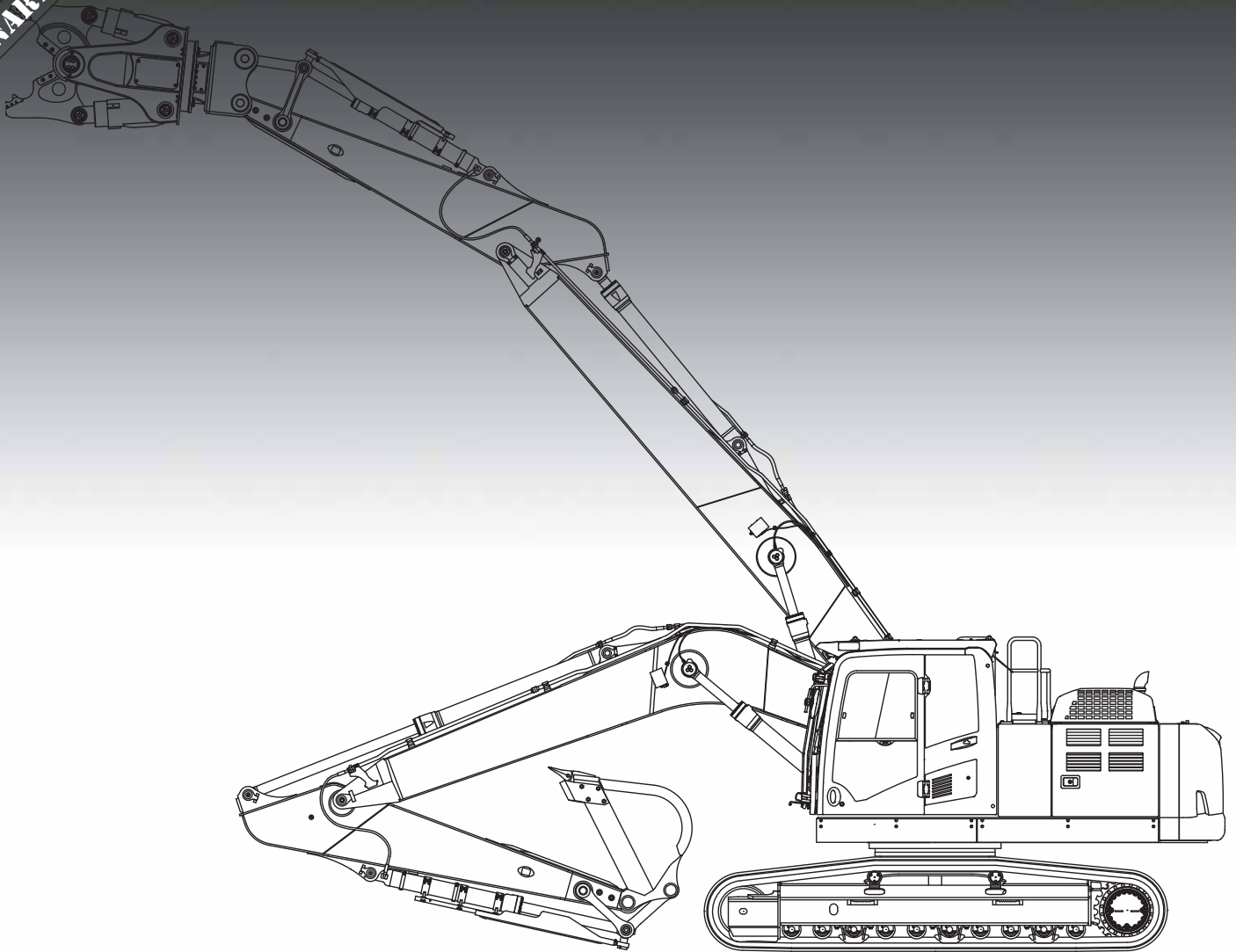


# KOMATSU

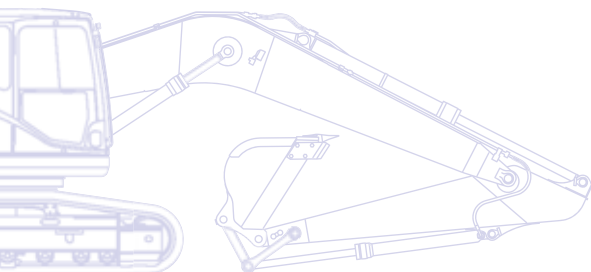
PRELIMINARY



Demolition Excavators

**PC240LC/NLC-10**

**Mono Boom / Straight Boom**



ENGINE POWER  
141 kW / 189 HP @ 2.000 rpm

OPERATING WEIGHT  
25.230 - 26.340 kg

# Walk-Around



## Work equipment

- Straight boom or mono boom options are available, with a variety of arm lengths, allowing the machine to be set for most working configurations
- Two-piece boom arrangements upon request
- Two additional hydraulic circuits piped with steel tubing to the end of the arm, suitable for demolition attachments

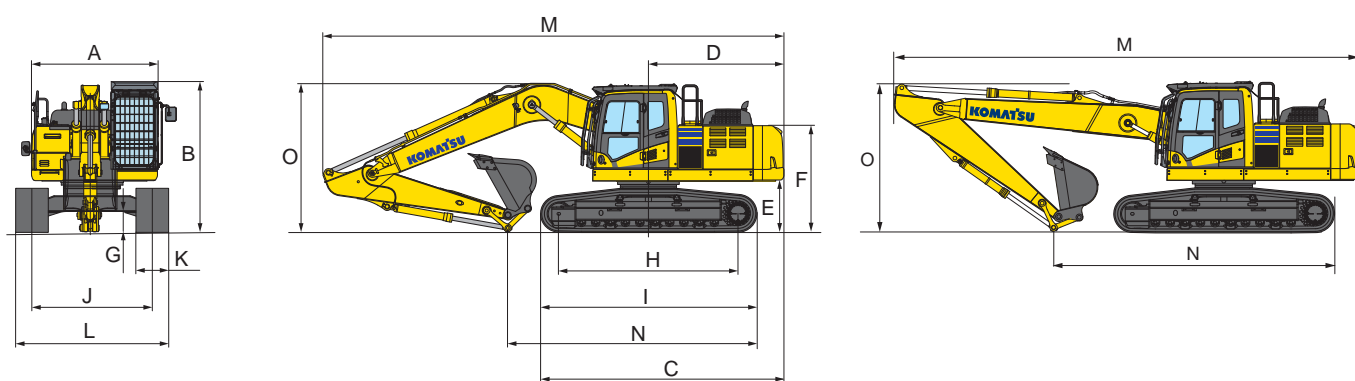
## Heavy duty protection

- Heavy duty undercovers (9 mm) fitted to the upper structure offer enhanced resistance to damage from debris on the ground
- Extra heavy duty side protection (15 mm) fitted to each side of the upper structure; bolted on, offering protection from debris on the ground or side impact
- Attachment cylinder guard (optional)
- Reinforced bucket linkage
- Boom lamp protection guard
- Full length track roller guards (optional)
- Additional camera, right side mounted (optional)

## Safety equipment

- Special Demolition Safety SpaceCab™ operator cabin (ROPS compliant with ISO 12117-2:2008)
- ISO 10262 Level 2 certified FOPS (Falling Object Protection System)
- Hinged front guard to allow easy access for windscreen cleaning
- Laminated glass roof window with wash wipe system
- Pressurised cabin helps to keep dust out. Climate control fitted as standard
- Joysticks with proportional control button for attachments
- Up to 5 different attachments can be pre set and named (5 breaker settings also available)

# Dimensions & Specifications



## MACHINE DIMENSIONS

	MONO BOOM		STRAIGHT BOOM	
	PC240LC-10	PC240NLC-10	PC240LC-10	PC240NLC-10
A Overall width of upper structure	2.850 mm	2.850 mm	2.850 mm	2.850 mm
B Overall height of cab (including OPG)	3.265 mm	3.265 mm	3.265 mm	3.265 mm
C Overall length of basic machine	5.255 mm	5.130 mm	5.255 mm	5.130 mm
D Tail length	2.905 mm	2.905 mm	2.905 mm	2.905 mm
Tail swing radius	2.940 mm	2.940 mm	2.940 mm	2.940 mm
E Clearance under counterweight	1.100 mm	1.100 mm	1.100 mm	1.100 mm
F Machine tail height	2.265 mm	2.265 mm	2.265 mm	2.265 mm
G Ground clearance	440 mm	440 mm	440 mm	440 mm
H Tumbler centre distance	3.845 mm	3.655 mm	3.845 mm	3.655 mm
I Track length	4.640 mm	4.450 mm	4.640 mm	4.450 mm
J Track gauge	2.590 mm	2.390 mm	2.590 mm	2.390 mm
K Track shoe width	600, 700 mm	600, 700 mm	600, 700 mm	600, 700 mm
L Overall track width with 600 mm shoe	3.190 mm	2.990 mm	3.190 mm	2.990 mm
Overall track width with 700 mm shoe	3.290 mm	3.090 mm	3.290 mm	3.090 mm

## TRANSPORT DIMENSIONS

	MONO BOOM		STRAIGHT BOOM	
	PC240LC-10	PC240NLC-10	PC240LC-10	PC240NLC-10
Arm length	2,5 m	3,0 m	2,5 m	3,0 m
M Transport length	9.960 mm	9.885 mm	10.650 mm	10.615 mm
N Length on ground (transport) PC240LC-10	6.115 mm	5.390 mm	7.525 mm	6.880 mm
Length on ground (transport) PC240NLC-10	6.020 mm	5.260 mm	7.430 mm	6.785 mm
O Overall height (to top of boom)	3.295 mm	3.160 mm	2.810 mm	2.910 mm

## OPERATING WEIGHT (APPR.)

### PC240LC-10

	MONO BOOM		STRAIGHT BOOM	
	Operating weight	Ground pressure	Operating weight	Ground pressure
Triple grouser shoes				
600 mm	25.830 kg	0,52 kg/cm <sup>2</sup>	26.040 kg	0,53 kg/cm <sup>2</sup>
700 mm	26.130 kg	0,45 kg/cm <sup>2</sup>	26.340 kg	0,46 kg/cm <sup>2</sup>

## OPERATING WEIGHT (APPR.)

### PC240NLC-10

	MONO BOOM		STRAIGHT BOOM	
	Operating weight	Ground pressure	Operating weight	Ground pressure
Triple grouser shoes				
600 mm	25.230 kg	0,52 kg/cm <sup>2</sup>	25.440 kg	0,54 kg/cm <sup>2</sup>
700 mm	25.530 kg	0,45 kg/cm <sup>2</sup>	25.740 kg	0,46 kg/cm <sup>2</sup>

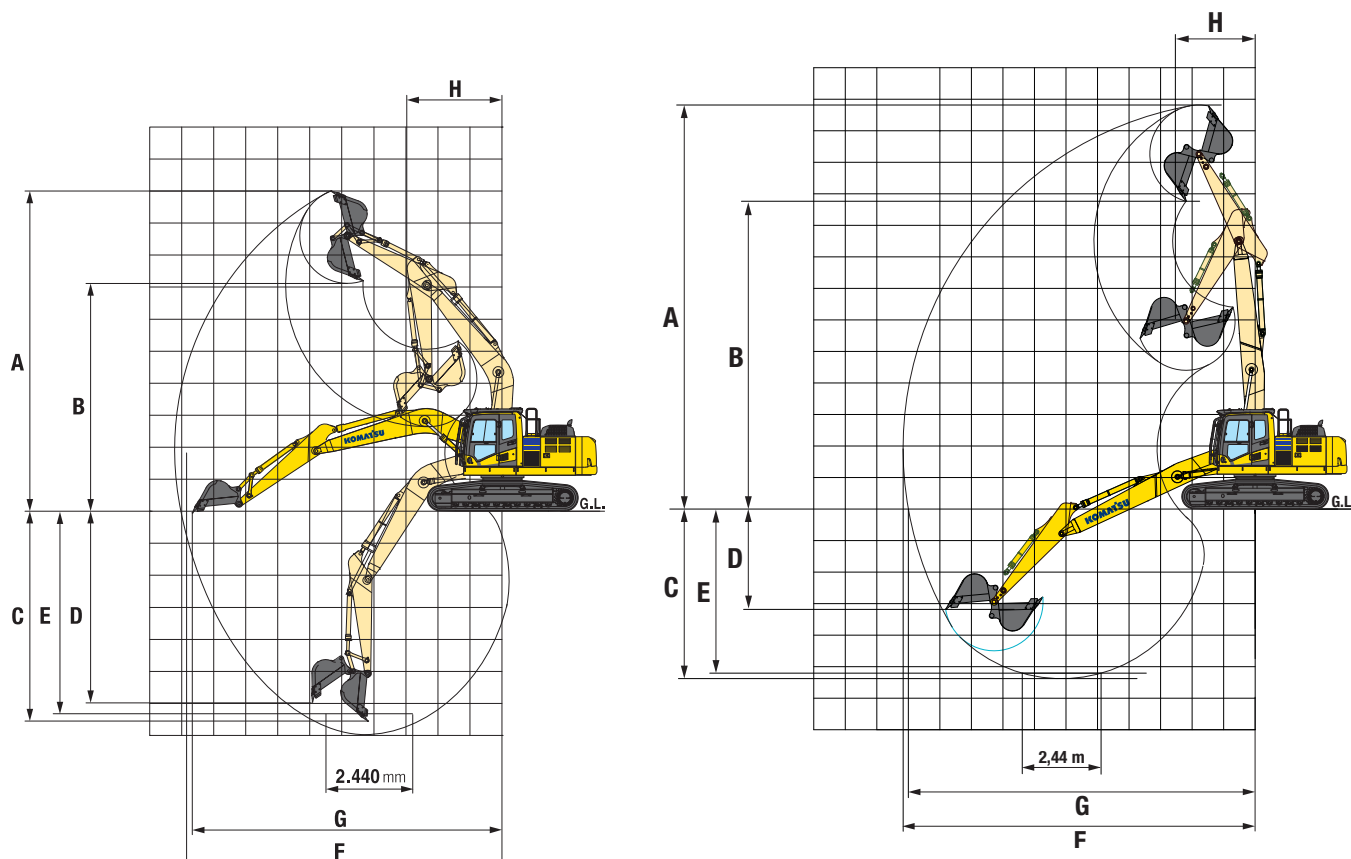
Operating weight, including specified work equipment, 3,0 m arm, 1.070 kg bucket, operator, lubricant, coolant, full fuel tank.

# Demolition Excavators

## PC240LC/NLC-10

### Mono Boom / Straight Boom

#### WORKING RANGE



PC240LC/NLC-10	MONO BOOM		STRAIGHT BOOM	
	2,5 m	3,0 m	2,5 m	3,0 m
Arm length	2,5 m	3,0 m	2,5 m	3,0 m
A Max. digging height	9.790 mm	10.000 mm	12.345 mm	12.820 mm
B Max. dumping height	6.860 mm	7.035 mm	9.305 mm	9.780 mm
C Max. digging depth	6.320 mm	6.920 mm	4.845 mm	5.390 mm
D Max. vertical wall digging depth	5.130 mm	6.010 mm	4.115 mm	4.750 mm
E Max. digging depth of cut for 2,44 m level	6.100 mm	6.700 mm	4.566 mm	5.223 mm
F Max. digging reach	9.480 mm	10.180 mm	10.660 mm	11.175 mm
G Max. digging reach at ground level	9.670 mm	10.020 mm	10.490 mm	11.010 mm
H Min. swing radius	3.320 mm	3.450 mm	2.300 mm	2.515 mm

Specifications: Engine power at rated engine speed (2.000 rpm): 141 kW/189 HP (ISO 14396). Engine emissions fully complies with EU Stage IIIB and EPA Tier 4 interim exhaust emission regulations. Noise levels: LwA external: 103 dB(A) (2000/14/EC Stage II). LpA operator ear: 70 dB(A) (ISO 6396 dynamic test. Vibration levels (EN 12096:1997): Hand/arm: 2,5 m/s<sup>2</sup> (uncertainty K = 0,53 m/s<sup>2</sup>) Body: 0,5 m/s<sup>2</sup> (uncertainty K = 0,28 m/s<sup>2</sup>). For the purpose of risk assessment under directive 2002/44/EC, please refer to ISO/TR 25398:2006. All data preliminary and non-binding.