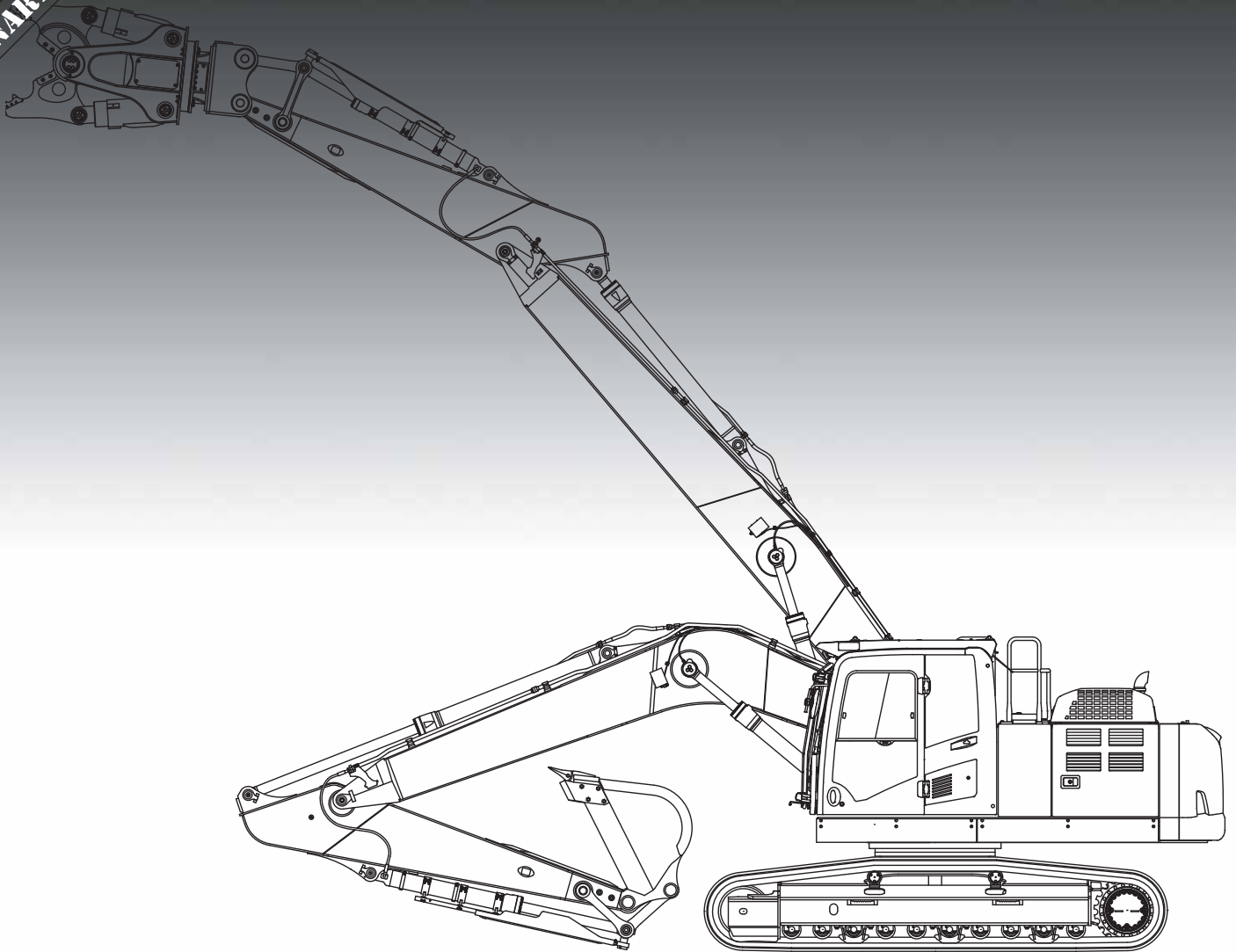


# KOMATSU

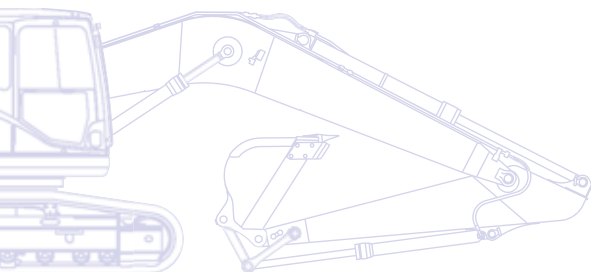
PRELIMINARY



Demolition Excavators

**PC290LC/NLC-10**

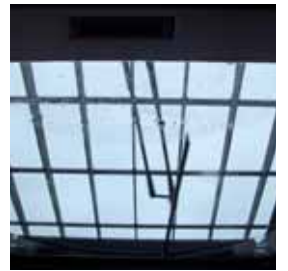
**Mono Boom / Straight Boom**



ENGINE POWER  
159 kW / 213 HP @ 2.050 rpm

OPERATING WEIGHT  
30.420 - 31.030 kg

# Walk-Around



## Work equipment

- Straight boom or mono boom options are available, with a variety of arm lengths, allowing the machine to be set for most working configurations
- Two-piece boom arrangements upon request
- Two additional hydraulic circuits piped with steel tubing to the end of the arm, suitable for demolition attachments

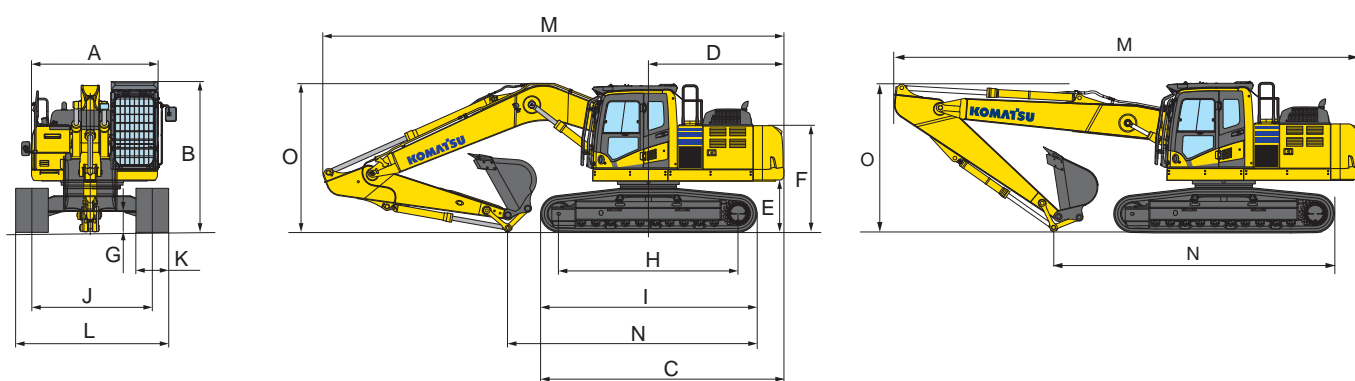
## Heavy duty protection

- Heavy duty undercovers (9 mm) fitted to the upper structure offer enhanced resistance to damage from debris on the ground
- Extra heavy duty side protection (15 mm) fitted to each side of the upper structure; bolted on, offering protection from debris on the ground or side impact
- Attachment cylinder guard (optional)
- Reinforced bucket linkage
- Boom lamp protection guard
- Full length track roller guards (optional)
- Additional camera, right side mounted (optional)

## Safety equipment

- Special Demolition Safety SpaceCab™ operator cabin (ROPS compliant with ISO 12117-2:2008)
- ISO 10262 Level 2 certified FOPS (Falling Object Protection System)
- Hinged front guard to allow easy access for windscreen cleaning
- Laminated glass roof window with wash wipe system
- Pressurised cabin helps to keep dust out. Climate control fitted as standard
- Joysticks with proportional control button for attachments
- Up to 5 different attachments can be pre set and named (5 breaker settings also available)

# Dimensions & Specifications



## MACHINE DIMENSIONS

	MONO BOOM		STRAIGHT BOOM	
	PC290LC-10	PC290NLC-10	PC290LC-10	PC290NLC-10
A Overall width of upper structure	2.850 mm	2.850 mm	2.850 mm	2.850 mm
B Overall height of cab (including OPG)	3.390 mm	3.390 mm	3.390 mm	3.390 mm
C Overall length of basic machine	5.380 mm	5.380 mm	5.380 mm	5.380 mm
D Tail length	2.905 mm	2.905 mm	2.905 mm	2.905 mm
Tail swing radius	2.940 mm	2.940 mm	2.940 mm	2.940 mm
E Clearance under counterweight	1.215 mm	1.215 mm	1.215 mm	1.215 mm
F Machine tail height (top of engine cover)	2.715 mm	2.715 mm	2.715 mm	2.715 mm
G Ground clearance	500 mm	500 mm	500 mm	500 mm
H Tumbler centre distance	4.030 mm	4.030 mm	4.030 mm	4.030 mm
I Track length	4.955 mm	4.955 mm	4.955 mm	4.955 mm
J Track gauge	2.590 mm	2.390 mm	2.590 mm	2.390 mm
K Track shoe width	600, 700 mm	600, 700 mm	600, 700 mm	600, 700 mm
L Overall track width with 600 mm shoe	3.190 mm	2.990 mm	3.190 mm	2.990 mm
Overall track width with 700 mm shoe	3.290 mm	3.090 mm	3.290 mm	3.090 mm

## TRANSPORT DIMENSIONS

	MONO BOOM			STRAIGHT BOOM		
	PC290LC-10	PC290NLC-10	PC290LC-10	PC290NLC-10	PC290LC-10	PC290NLC-10
Arm length	2,65 m	3,2 m	3,5 m	2,65 m	3,2 m	3,5 m
M Transport length	10.240 mm	10.185 mm	10.195 mm	10.620 mm	10.580 mm	10.545 mm
N Length on ground (transport)	6.425 mm	5.625 mm	5.350 mm	7.240 mm	6.550 mm	6.445 mm
O Overall height (to top of boom)	3.425 mm	3.340 mm	3.375 mm	2.990 mm	3.025 mm	3.325 mm

## OPERATING WEIGHT (APPR.)

### PC290LC-10

	MONO BOOM		STRAIGHT BOOM	
	Operating weight	Ground pressure	Operating weight	Ground pressure
Triple grouser shoes				
600 mm	30.520 kg	0,54 kg/cm <sup>2</sup>	30.630 kg	0,55 kg/cm <sup>2</sup>
700 mm	30.920 kg	0,47 kg/cm <sup>2</sup>	31.030 kg	0,47 kg/cm <sup>2</sup>

## OPERATING WEIGHT (APPR.)

### PC290NLC-10

	MONO BOOM		STRAIGHT BOOM	
	Operating weight	Ground pressure	Operating weight	Ground pressure
Triple grouser shoes				
600 mm	30.420 kg	0,54 kg/cm <sup>2</sup>	30.530 kg	0,54 kg/cm <sup>2</sup>
700 mm	30.820 kg	0,47 kg/cm <sup>2</sup>	30.930 kg	0,47 kg/cm <sup>2</sup>

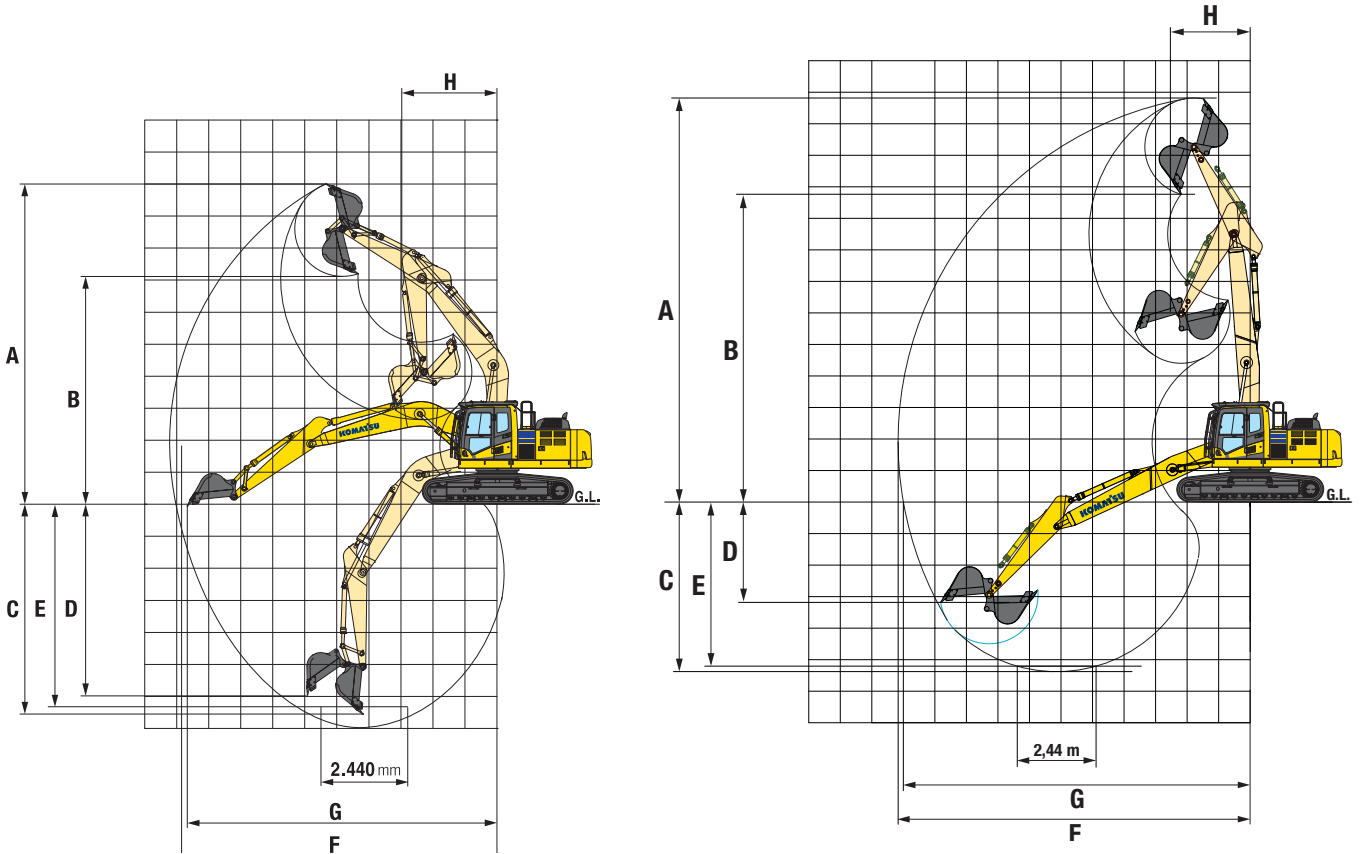
Operating weight, including specified work equipment, 3,2 m arm, 1.300 kg bucket, operator, lubricant, coolant, full fuel tank.

# Demolition Excavators

## PC290LC/NLC-10

### Mono Boom / Straight Boom

#### WORKING RANGE



PC290LC/NLC-10	MONO BOOM			STRAIGHT BOOM		
	2,65 m	3,2 m	3,5 m	2,65 m	3,2 m	3,5 m
Arm length	2,65 m	3,2 m	3,5 m	2,65 m	3,2 m	3,5 m
A Max. digging height	9.985 mm	10.345 mm	10.355 mm	12.700 mm	13.230 mm	13.480 mm
B Max. dumping height	7.040 mm	7.370 mm	7.435 mm	9.710 mm	10.375 mm	10.630 mm
C Max. digging depth	6.360 mm	6.915 mm	7.220 mm	4.735 mm	5.285 mm	5.585 mm
D Max. vertical wall digging depth	5.365 mm	6.135 mm	5.110 mm	3.690 mm	4.245 mm	4.545 mm
E Max. digging depth of cut for 2,44 m level	6.175 mm	6.755 mm	7.070 mm	4.565 mm	5.135 mm	5.445 mm
F Max. digging reach	10.095 mm	10.635 mm	10.890 mm	11.035 mm	11.585 mm	11.870 mm
G Max. digging reach at ground level	9.905 mm	10.455 mm	10.715 mm	10.860 mm	11.420 mm	11.710 mm
H Min. swing radius	3.740 mm	3.680 mm	3.740 mm	2.710 mm	2.685 mm	2.835 mm

Specifications: Engine power at rated engine speed (2.050 rpm): 159 kW/213 HP (ISO 14396). Engine emissions fully complies with EU Stage IIIB and EPA Tier 4 interim exhaust emission regulations. Noise levels: LwA external: 104 dB(A) (2000/14/EC Stage II). LpA operator ear: 70 dB(A) (ISO 6396 dynamic test. Vibration levels (EN 12096:1997): Hand/arm: 2,5 m/s<sup>2</sup> (uncertainty K = 0,37 m/s<sup>2</sup>). Body: 0,5 m/s<sup>2</sup> (uncertainty K = 0,17 m/s<sup>2</sup>). For the purpose of risk assessment under directive 2002/44/EC, please refer to ISO/TR 25398:2006. All data preliminary and non-binding.