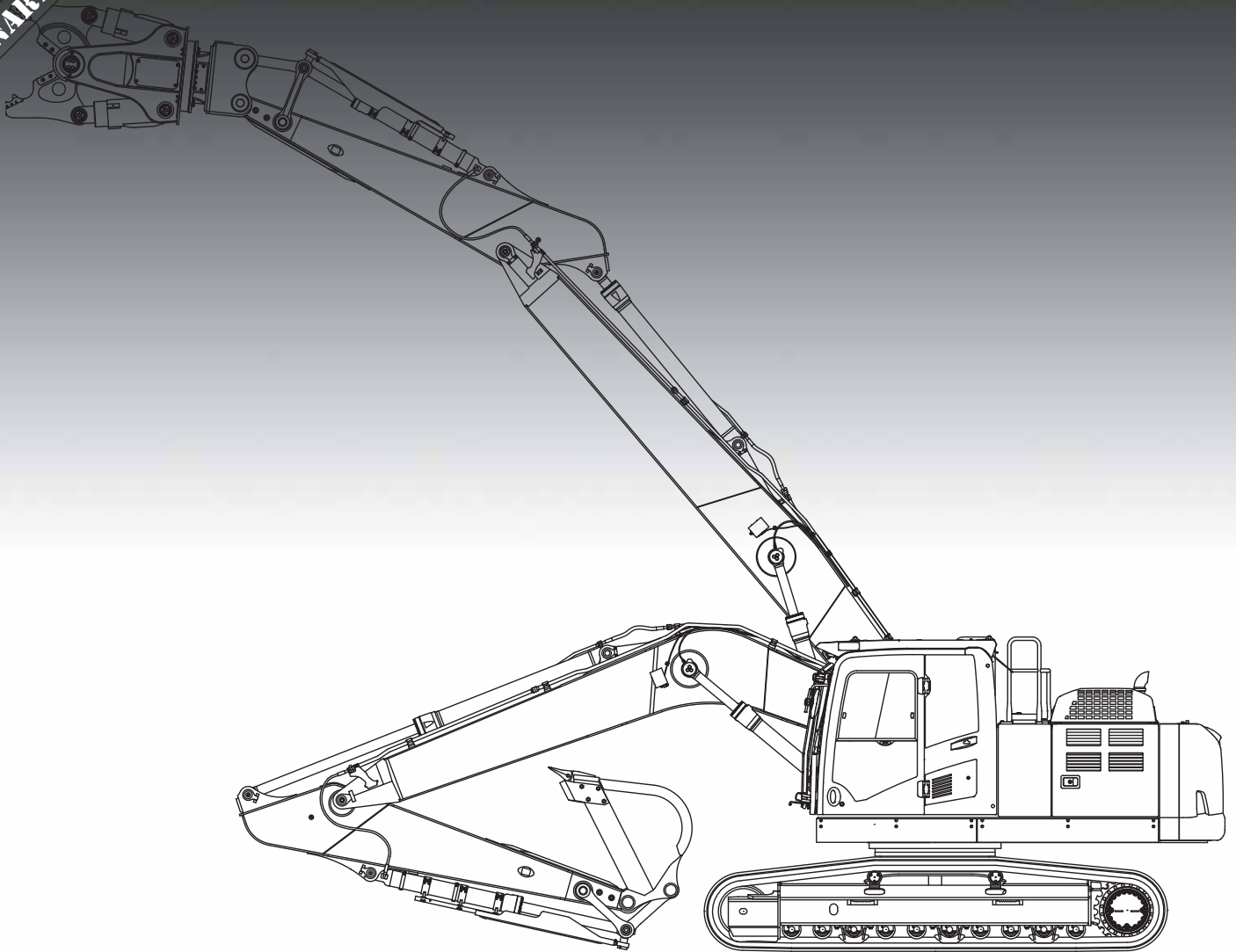


# KOMATSU

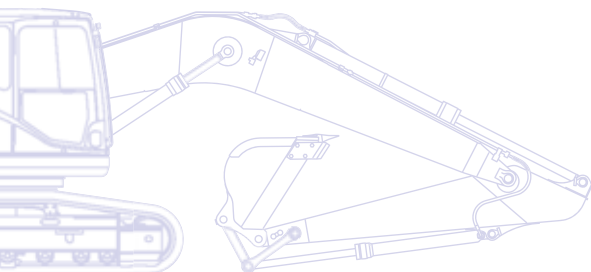
PRELIMINARY



Demolition Excavators

**PC360LC/NLC-10**

**Mono Boom / Straight Boom**



ENGINE POWER  
202 kW / 271 HP @ 1.950 rpm

OPERATING WEIGHT  
36.325 - 36.660 kg

# Walk-Around



## Work equipment

- Straight boom or mono boom options are available, with a variety of arm lengths, allowing the machine to be set for most working configurations
- Two additional hydraulic circuits piped with steel tubing to the end of the arm, suitable for demolition attachments

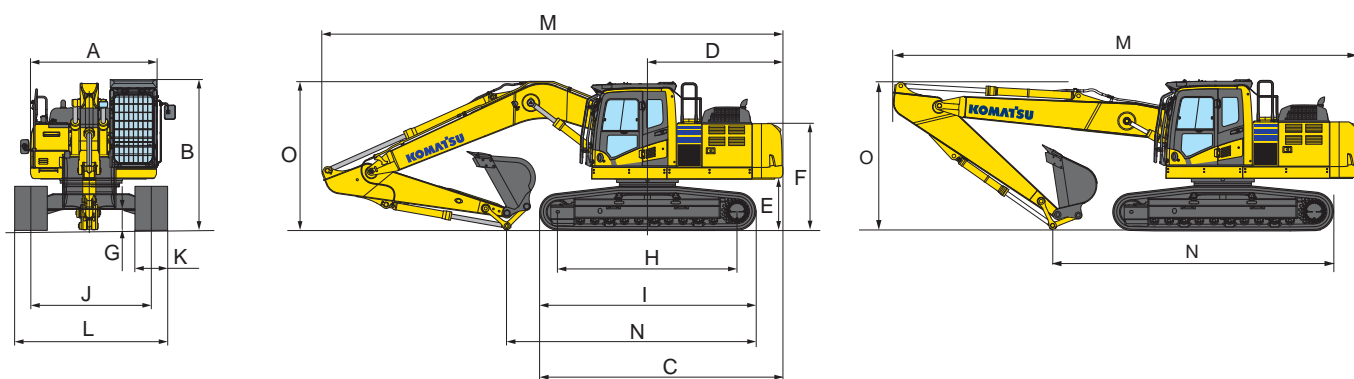
## Heavy duty protection

- Heavy duty undercovers (9 mm) fitted to the upper structure offer enhanced resistance to damage from debris on the ground
- Extra heavy duty side protection (15 mm) fitted to each side of the upper structure; bolted on, offering protection from debris on the ground or side impact
- Attachment cylinder guard (optional)
- Reinforced bucket linkage
- Boom lamp protection guard
- Full length track roller guards (optional)
- Additional camera, right side mounted (optional)

## Safety equipment

- Special Demolition Safety SpaceCab™ operator cabin (ROPS compliant with ISO 12117-2:2008)
- ISO 10262 Level 2 certified FOPS (Falling Object Protection System)
- Hinged front guard to allow easy access for windscreen cleaning
- Laminated glass roof window with wash wipe system
- Pressurised cabin helps to keep dust out. Climate control fitted as standard
- Joysticks with proportional control button for attachments
- Up to 5 different attachments can be pre set and named (5 breaker settings also available)

# Dimensions & Specifications



## MACHINE DIMENSIONS

	MONO BOOM		STRAIGHT BOOM	
	PC360LC-10	PC360NLC-10	PC360LC-10	PC360NLC-10
A Overall width of upper structure	3.290 mm	2.990 mm	3.290 mm	2.990 mm
B Overall height of cab (including OPG)	3.370 mm	3.370 mm	3.370 mm	3.370 mm
C Overall length of basic machine	5.885 mm	5.885 mm	5.885 mm	5.885 mm
D Tail length	3.405 mm	3.405 mm	3.405 mm	3.405 mm
Tail swing radius	3.445 mm	3.445 mm	3.445 mm	3.445 mm
E Clearance under counterweight	1.185 mm	1.185 mm	1.185 mm	1.185 mm
F Machine tail height	2.360 mm	2.360 mm	2.360 mm	2.360 mm
G Ground clearance	500 mm	500 mm	500 mm	500 mm
H Tumbler centre distance	4.030 mm	4.030 mm	4.030 mm	4.030 mm
I Track length	4.955 mm	4.955 mm	4.955 mm	4.955 mm
J Track gauge	2.590 mm	2.390 mm	2.590 mm	2.390 mm
K Track shoe width	600, 700 mm	600, 700 mm	600, 700 mm	600, 700 mm
L Overall track width with 600 mm shoe	3.190 mm	2.990 mm	3.190 mm	2.990 mm
Overall track width with 700 mm shoe	3.290 mm	3.090 mm	3.290 mm	3.090 mm

## TRANSPORT DIMENSIONS

	MONO BOOM		STRAIGHT BOOM	
	PC360LC-10	PC360NLC-10	PC360LC-10	PC360NLC-10
Arm length	2,6 m	3,2 m	2,6 m	3,2 m
M Transport length	11.180 mm	11.140 mm	11.425 mm	11.320 mm
N Length on ground (transport)	6.760 mm	5.930 mm	7.965 mm	7.045 mm
O Overall height (to top of boom)	3.410 mm	3.280 mm	2.885 mm	3.095 mm

## OPERATING WEIGHT (APPR.)

### PC360LC-10

	MONO BOOM		STRAIGHT BOOM	
	Operating weight	Ground pressure	Operating weight	Ground pressure
Triple grouser shoes				
600 mm	36.325 kg	0,70 kg/cm <sup>2</sup>	36.390 kg	0,70 kg/cm <sup>2</sup>
700 mm	36.705 kg	0,60 kg/cm <sup>2</sup>	36.770 kg	0,61 kg/cm <sup>2</sup>

## OPERATING WEIGHT (APPR.)

### PC360NLC-10

	MONO BOOM		STRAIGHT BOOM	
	Operating weight	Ground pressure	Operating weight	Ground pressure
Triple grouser shoes				
600 mm	36.215 kg	0,70 kg/cm <sup>2</sup>	36.280 kg	0,70 kg/cm <sup>2</sup>
700 mm	36.595 kg	0,60 kg/cm <sup>2</sup>	36.660 kg	0,60 kg/cm <sup>2</sup>

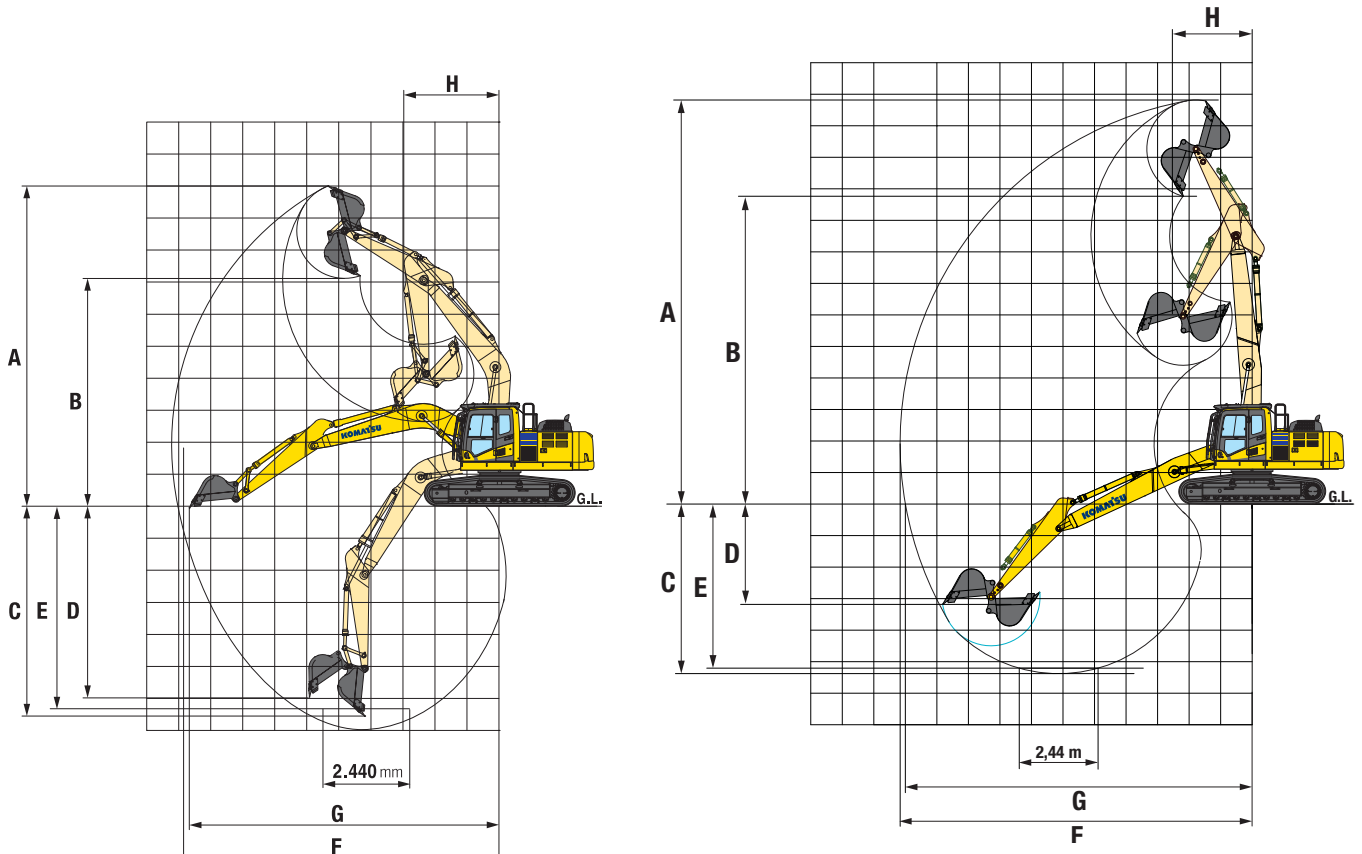
Operating weight, including specified work equipment, 3,2 m arm, 1.650 kg bucket, operator, lubricant, coolant, full fuel tank.

# Demolition Excavators

## PC360LC/NLC-10

### Mono Boom / Straight Boom

#### WORKING RANGE



PC360LC/NLC-10	MONO BOOM		STRAIGHT BOOM	
Arm length	2,6 m	3,2 m	2,6 m	3,2 m
A Max. digging height	9.965 mm	10.210 mm	12.470 mm	13.170 mm
B Max. dumping height	6.895 mm	7.110 mm	9.105 mm	9.805 mm
C Max. digging depth	6.705 mm	7.380 mm	5.375 mm	6.075 mm
D Max. vertical wall digging depth	5.880 mm	6.480 mm	4.460 mm	5.398 mm
E Max. digging depth of cut for 2,44 m level	6.520 mm	7.180 mm	5.193 mm	5.922 mm
F Max. digging reach	10.550 mm	11.100 mm	11.172 mm	11.900 mm
G Max. digging reach at ground level	10.355 mm	10.920 mm	10.985 mm	11.725 mm
H Min. swing radius	4.400 mm	4.310 mm	3.530 mm	3.000 mm

Specifications: Engine power at rated engine speed (1.950 rpm): 202 kW/271 HP (ISO 14396). Engine emissions fully complies with EU Stage IIIB and EPA Tier 4 interim exhaust emission regulations. Noise levels: LwA external: 105 dB(A) (2000/14/EC Stage II). LpA operator ear: 71 dB(A) (ISO 6396 dynamic test. Vibration levels (EN 12096:1997): Hand/arm: 2,5 m/s<sup>2</sup> (uncertainty K = 0,37 m/s<sup>2</sup>). Body: 0,5 m/s<sup>2</sup> (uncertainty K = 0,17 m/s<sup>2</sup>). For the purpose of risk assessment under directive 2002/44/EC, please refer to ISO/TR 25398:2006. All data preliminary and non-binding.