

# Specifications

## ENGINE

Model .....	Komatsu SAA6D107E-1
Type .....	Common rail direct injection, water-cooled, emissionised, turbocharged, after-cooled diesel
Engine power	
at rated engine speed .....	2.000 rpm
ISO 14396 .....	134 kW/180 HP
ISO 9249 (net engine power) .....	125 kW/168 HP
No. of cylinders .....	6
Bore x stroke .....	107 x 124 mm
Displacement .....	6,69 ltr
Batteries .....	2 x 12 V/120 Ah
Alternator .....	24 V/60 A
Starter motor .....	24 V/5,5 kW
Air filter type .....	Double element type with monitor panel dust indicator and auto dust evacuator
Cooling .....	Suction type cooling fan

## HYDRAULIC SYSTEM

Type .....	HydraMind. Closed-centre system with load sensing and pressure compensation valves
Additional circuits .....	Depending on the specification up to 2 additional proportional control & quick coupler circuits can be installed
Main pump .....	Variable displacement piston pump supplying boom, arm, bucket, swing and travel circuits
Maximum pump flow .....	2x 218,4 ltr/min
Relief valve settings	
Implement .....	380 bar
Travel .....	380 bar
Swing .....	355 bar
Pilot circuit .....	37 bar

## BRAKE SYSTEM

Type .....	Dual circuit hydraulic braking system supplied from a separate gear pump.
Service brakes .....	Pedal actuated wet multi-disc brakes integrated into the axle hubs.
Parking brake .....	Electrically actuated wet multi-disc "spring actuation hydraulic release" brake integrated into the transmission.

## ENVIRONMENT

Engine emissions .....	Fully complies with EU Stage IIIA and EPA Tier III exhaust emission regulations
Noise levels	
LwA external .....	103 dB(A) (2000/14/EC Stage II)
LpA operator ear .....	72 dB(A) (ISO 6396 dynamic test)
Vibration levels (EN 12096:1997)*	
Hand/arm .....	≤ 2,5 m/s <sup>2</sup> (uncertainty K = 0,275 m/s <sup>2</sup> )
Body .....	≤ 0,5 m/s <sup>2</sup> (uncertainty K = 0,175 m/s <sup>2</sup> )

\* for the purpose of risk assessment under directive 2002/44/EC, please refer to ISO/TR 25398:2006.

## SWING SYSTEM

Type .....	Axial piston motor driving through planetary double reduction gearbox
Swing lock .....	Electrically actuated wet multi-disc brake integrated into swing motor
Swing speed .....	0 - 12,4 rpm
Swing torque .....	68 kNm

## TRANSMISSION

Type .....	Fully automatic power shift transmission with permanent 4 wheel drive
Travel motors .....	One variable displacement axial piston motor
Maximum pressure .....	380 bar
Travel modes .....	Automatic + 3 travel modes
Max. travel speeds	
Hi / Lo / Creep .....	35,0 / 6,0 / 1,5 km/h
A max. speed restriction of 20 km/h is available as an option.	
Maximum drawbar pull .....	12.600 kg
Axle oscillation .....	11° Lockable in any position from the operator cab.

## STEERING SYSTEM

Steering control .....	Hydraulic steering system supplied from a separate gear pump and controlled through LS orbitrol & priority valves.
Minimum turning radius	
2,55 m wide undercarriage ....	6.850 mm (to center of outer wheel)
2,75 m wide undercarriage ....	7.050 mm (to center of outer wheel)

## SERVICE REFILL CAPACITIES

Fuel tank .....	370 ltr
Radiator .....	17,6 ltr
Engine oil .....	25,4 ltr
Swing drive .....	6,6 ltr
Hydraulic tank .....	166 ltr
Transmission .....	2,9 ltr
Front differential (2,55 m wide undercarriage) .....	11,5 ltr
Front differential (2,75 m wide undercarriage) .....	13,5 ltr
Rear differential (2,55 m wide undercarriage) .....	10 ltr
Rear differential (2,75 m wide undercarriage) .....	12 ltr
Front axle hub .....	2,5 ltr
Rear axle hub .....	2,0 ltr
Swing pinion grease bath amount .....	33 ltr

## OPERATING WEIGHT (APPR.)

Undercarriage attachment type	Mono boom		Two-piece boom	
	2,55 m undercarriage	2,75 m undercarriage	2,55 m undercarriage	2,75 m undercarriage
Without	19.090 kg	19.380 kg	19.770 kg	20.060 kg
Rear blade	19.970 kg	20.290 kg	20.650 kg	20.970 kg
Rear outrigger	20.100 kg	20.460 kg	20.780 kg	21.140 kg
2 outriggers + blade	20.980 kg	21.390 kg	21.660 kg	22.050 kg
4 outriggers	21.110 kg	21.540 kg	21.790 kg	22.220 kg

Operating weight, including specified work equipment, 2,4 m arm, operator, lubricant, coolant, full fuel tank and the standard equipment. Weights are without bucket.

## MAX. BUCKET CAPACITY AND WEIGHT (2,55 M UNDERCARRIAGE)

Arm length	Mono boom		
	2,4 m	2,9 m	3,5 m
Material weight up to 1,2 t/m <sup>3</sup>	1,11 m <sup>3</sup> 870 kg	1,03 m <sup>3</sup> 810 kg	0,96 m <sup>3</sup> 760 kg
Material weight up to 1,5 t/m <sup>3</sup>	1,03 m <sup>3</sup> 810 kg	0,96 m <sup>3</sup> 760 kg	0,78 m <sup>3</sup> 650 kg
Material weight up to 1,8 t/m <sup>3</sup>	0,96 m <sup>3</sup> 760 kg	0,78 m <sup>3</sup> 650 kg	0,71 m <sup>3</sup> 610 kg

Arm length	Two-piece boom		
	2,4 m	2,9 m	3,5 m
Material weight up to 1,2 t/m <sup>3</sup>	1,11 m <sup>3</sup> 870 kg	1,03 m <sup>3</sup> 810 kg	0,96 m <sup>3</sup> 760 kg
Material weight up to 1,5 t/m <sup>3</sup>	1,03 m <sup>3</sup> 810 kg	0,96 m <sup>3</sup> 760 kg	0,78 m <sup>3</sup> 650 kg
Material weight up to 1,8 t/m <sup>3</sup>	0,96 m <sup>3</sup> 760 kg	0,78 m <sup>3</sup> 650 kg	0,71 m <sup>3</sup> 610 kg

## MAX. BUCKET CAPACITY AND WEIGHT (2,75 M UNDERCARRIAGE)

Arm length	Mono boom		
	2,4 m	2,9 m	3,5 m
Material weight up to 1,2 t/m <sup>3</sup>	- -	1,19 m <sup>3</sup> 930 kg	1,11 m <sup>3</sup> 870 kg
Material weight up to 1,5 t/m <sup>3</sup>	1,19 m <sup>3</sup> 930 kg	1,11 m <sup>3</sup> 870 kg	0,96 m <sup>3</sup> 760 kg
Material weight up to 1,8 t/m <sup>3</sup>	1,03 m <sup>3</sup> 810 kg	0,96 m <sup>3</sup> 760 kg	0,86 m <sup>3</sup> 700 kg

Arm length	Two-piece boom		
	2,4 m	2,9 m	3,5 m
Material weight up to 1,2 t/m <sup>3</sup>	- -	1,19 m <sup>3</sup> 930 kg	1,11 m <sup>3</sup> 870 kg
Material weight up to 1,5 t/m <sup>3</sup>	1,19 m <sup>3</sup> 930 kg	1,11 m <sup>3</sup> 870 kg	0,96 m <sup>3</sup> 760 kg
Material weight up to 1,8 t/m <sup>3</sup>	1,03 m <sup>3</sup> 810 kg	0,96 m <sup>3</sup> 760 kg	0,86 m <sup>3</sup> 700 kg

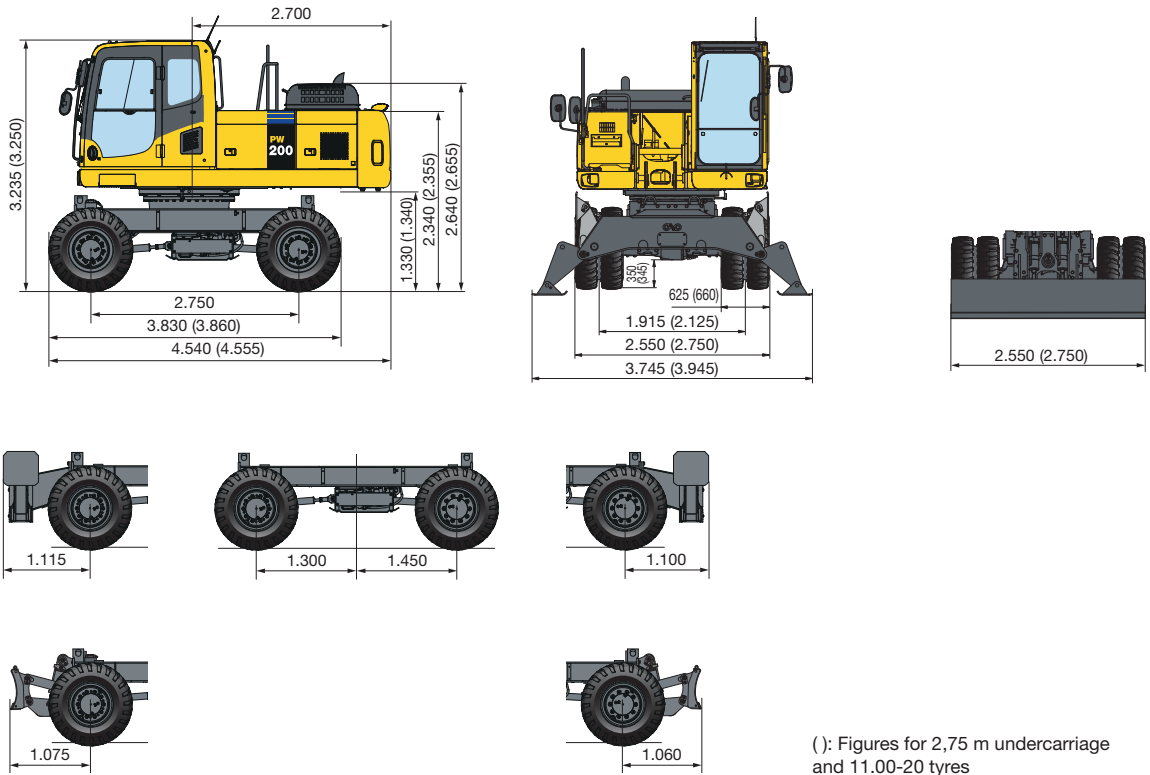
Max. capacity and weight have been calculated according to ISO 10567:2007.

Please consult with your distributor for the correct selection of buckets and attachments to suit the application.

## BUCKET AND ARM FORCE

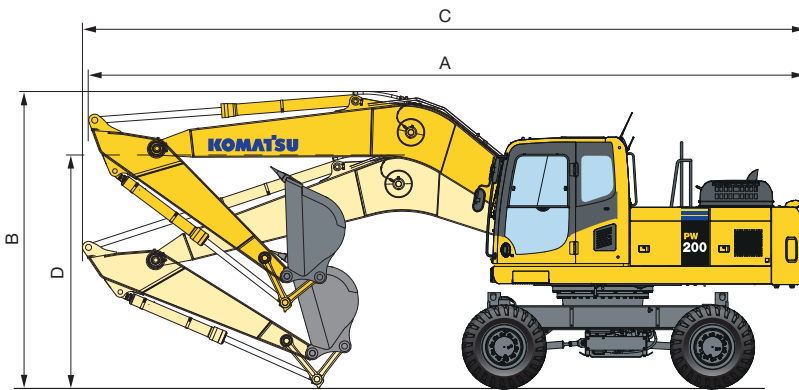
Arm length	2,4 m	2,9 m	3,5 m
Bucket digging force	163 kN	139 kN	139 kN
Bucket digging force at PowerMax	176 kN	149 kN	149 kN
Arm crowd force	119,6 kN	101 kN	83,4 kN
Arm crowd force at PowerMax	127,5 kN	107,9 kN	89,3 kN

# Dimensions



( ): Figures for 2,75 m undercarriage and 11.00-20 tyres

## MONO BOOM



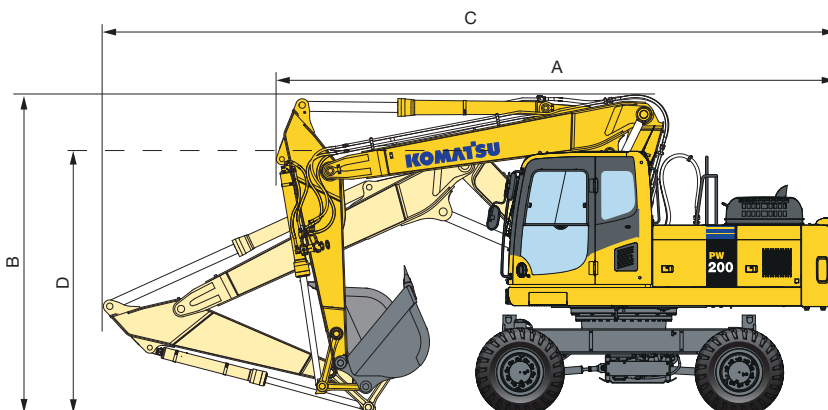
### Driving position

Arm length	A	B
2.400 mm	9.435 mm	3.895 mm
2.900 mm	9.430 mm	3.910 mm
3.500 mm	9.470 mm	3.985 mm

### Transport position

Arm length	C	D
2.400 mm	9.660 mm	3.195 mm
2.900 mm	9.595 mm	3.020 mm
3.500 mm	9.640 mm	3.570 mm

## TWO-PIECE BOOM



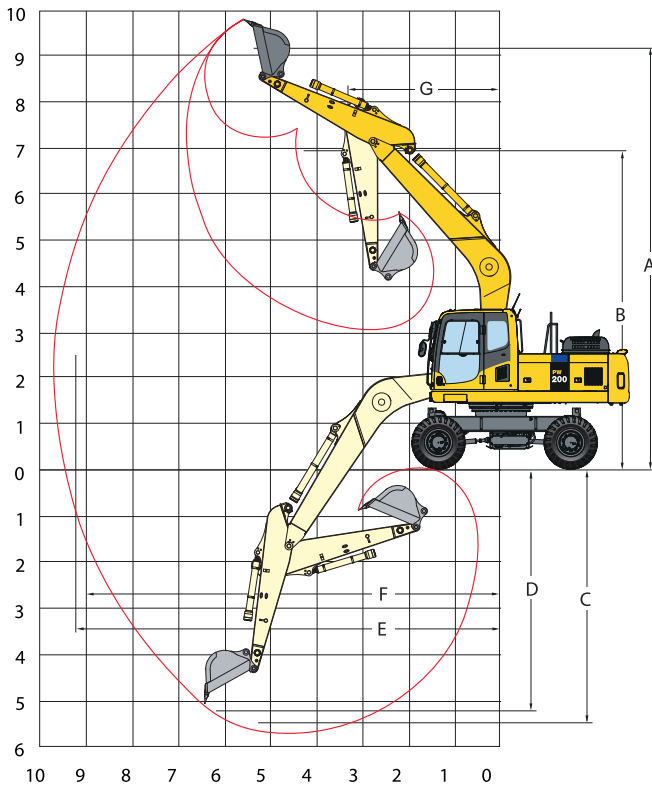
### Driving position

Arm length	A	B
2.400 mm	7.080 mm	3.980 mm
2.900 mm	7.000 mm	4.000 mm
3.500 mm	7.220 mm	4.505 mm

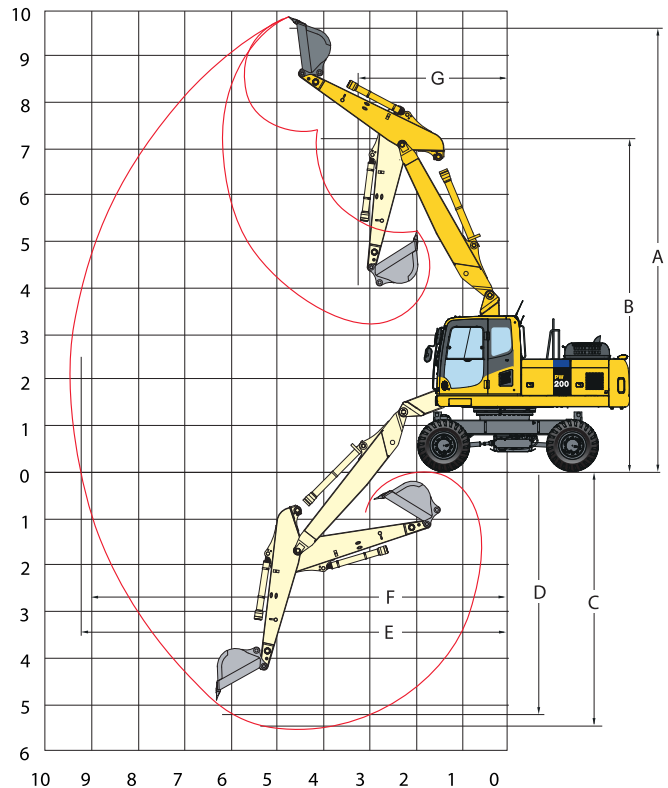
### Transport position

Arm length	C	D
2.400 mm	9.470 mm	3.150 mm
2.900 mm	9.290 mm	3.095 mm
3.500 mm	9.225 mm	3.715 mm

## MONO BOOM



## TWO-PIECE BOOM



## MONO BOOM

ARM LENGTH	2,4 m	2,9 m	3,5 m
A Max. digging height	9.890 mm	10.010 mm	10.440 mm
B Max. dumping height	7.060 mm	7.230 mm	7.610 mm
C Max. digging depth	5.400 mm	5.920mm	6.500 mm
D Max. digging depth of cut for 2,44 m level	5.225 mm	5.760 mm	6.370 mm
E Max. digging reach	9.650 mm	10.060 mm	10.640 mm
F Max. digging reach at ground level	9.440 mm	9.875 mm	10.480 mm
G Min. swing radius	3.200 mm	3.145 mm	3.145 mm

## TWO-PIECE BOOM


ARM LENGTH	2,4 m	2,9 m	3,5 m
A Max. digging height	9.840 mm	10.170 mm	10.435 mm
B Max. dumping height	6.980 mm	7.300 mm	7.575 mm
C Max. digging depth	5.785 mm	6.285 mm	6.860 mm
D Max. digging depth of cut for 2,44 m level	5.715 mm	6.225 mm	6.795 mm
E Max. digging reach	9.350 mm	9.820 mm	10.340 mm
F Max. digging reach at ground level	9.145 mm	9.635 mm	10.155 mm
G Min. swing radius	3.120 mm	2.745 mm	2.865 mm


# Lifting Capacity

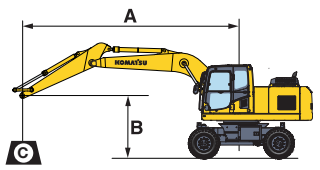
## Mono boom / undercarriage width 2,55 m

Arm length	A B	9,0 m		7,5 m		6,0 m		4,5 m		3,0 m		1,5 m				
 Without stabilizer	2,4 m	7,5 m kg	*4.250	2.700			4.650	2.950								
		6,0 m kg	3.150	1.900			4.700	3.000								
		4,5 m kg	2.600	1.500		3.000	1.800	4.550	2.850	7.550	4.700					
		3,0 m kg	2.300	1.300		2.900	1.700	4.300	2.600	6.800	4.050					
		1,5 m kg	2.200	1.200		2.800	1.600	4.050	2.350	6.300	3.650					
		0,0 m kg	2.250	1.250		2.700	1.500	3.750	2.100	6.000	3.350					
	2,9 m	- 1,5 m kg	2.500	1.400		2.650	1.450	3.650	2.050	5.950	3.300	*9.750	6.300			
		- 3,0 m kg	3.050	1.750				3.800	2.150	6.050	3.400	*8.200	6.550			
		7,5 m kg	*2.650	2.250				*4.450	3.050							
		6,0 m kg	*2.550	1.600		3.100	1.850	4.800	3.050							
		4,5 m kg	2.300	1.300		3.050	1.850	4.600	2.900							
		3,0 m kg	2.050	1.100		2.900	1.700	4.350	2.650	7.100	4.300	14.600	7.950			
	3,5 m	1,5 m kg	1.950	1.050		2.800	1.600	4.050	2.400	6.450	3.750					
		0,0 m kg	2.000	1.050		2.650	1.500	3.800	2.150	6.050	3.400	*5.950	*5.950			
		- 1,5 m kg	2.200	1.150		2.600	1.400	3.600	1.950	5.900	3.250	*9.200	6.200			
- 3,0 m kg		2.600	1.450		2.650	1.450	3.650	2.050	5.950	3.300	*10.200	6.400				
7,5 m kg		*2.650	1.850		*2.700	1.900										
6,0 m kg		2.400	1.350		3.150	1.900										
Front or rear blade	2,4 m	7,5 m kg	*4.250	3.150			*5.050	3.400								
		6,0 m kg	*4.000	2.250			*6.800	3.450								
		4,5 m kg	*4.050	1.800		5.200	2.150	*7.450	3.300	*9.450	5.400					
		3,0 m kg	4.100	1.600		5.050	2.050	7.550	3.050	*10.850	4.750					
		1,5 m kg	3.950	1.500		4.950	1.900	7.250	2.800	*11.650	4.300					
		0,0 m kg	4.050	1.550		4.800	1.850	6.900	2.550	*11.050	4.050					
2,9 m	- 1,5 m kg	4.500	1.700		4.800	1.800	6.800	2.450	*9.500	3.950	*9.750	7.650				
	- 3,0 m kg	*3.950	2.100				*5.300	2.600	*7.100	4.050	*8.200	7.900				
	7,5 m kg	*2.650	2.600				*4.450	3.500								
	6,0 m kg	*2.550	1.900		*3.850	2.200	*5.300	3.500								
	4,5 m kg	*2.550	1.550		5.250	2.150	*6.600	3.350								
	3,0 m kg	*2.650	1.400		5.100	2.050	7.650	3.100	*10.350	4.950	*16.700	9.350				
Rear outrigger	2,9 m	1,5 m kg	*2.900	1.300		4.950	1.900	7.300	2.850	*11.450	4.400					
		0,0 m kg	*3.300	1.350		4.800	1.800	6.950	2.550	*11.350	4.050	*5.950	*5.950			
		- 1,5 m kg	4.000	1.450		4.750	1.750	6.750	2.400	*10.150	3.900	*9.200	7.500			
		- 3,0 m kg	*3.900	1.750		*4.950	1.800	*5.950	2.450	*8.050	3.950	*10.200	7.700			
		7,5 m kg	*2.650	2.200		*2.700	2.200									
		6,0 m kg	*2.550	1.650		*4.150	2.250									
3,5 m	2,4 m	4,5 m kg	*2.550	1.350	*2.850	1.400	*4.950	2.200	*5.400	3.400						
		3,0 m kg	*2.650	1.200	3.650	1.350	5.100	2.050	*7.300	3.150	*9.600	5.150				
		1,5 m kg	*2.900	1.100	3.550	1.300	4.950	1.900	7.350	2.850	*11.100	4.500				
		0,0 m kg	*3.250	1.150	3.500	1.200	4.800	1.750	7.050	2.600	*11.450	4.100	*6.500	*6.500		
		- 1,5 m kg	3.550	1.250			4.700	1.700	6.700	2.350	*10.700	3.850	*8.750	7.400	*5.200	*5.200
		- 3,0 m kg	*3.900	1.450			4.650	1.700	*6.550	2.350	*8.950	3.850	*12.200	7.500	*8.200	*8.200
3,5 m	2,9 m	7,5 m kg	*2.650	2.550			*2.700	2.600								
		6,0 m kg	*2.550	2.100			*4.150	2.650								
		4,5 m kg	*2.550	1.750	*2.850	1.700	*4.950	2.550	*5.400	3.950						
		3,0 m kg	*2.650	1.550	*3.950	1.650	5.750	2.450	*7.300	3.650	*9.600	6.000				
		1,5 m kg	*2.850	1.450	4.000	1.550	5.550	2.250	*8.000	3.350	*11.100	5.350				
		0,0 m kg	*3.200	1.450	3.900	1.500	5.350	2.150	7.950	3.100	*11.450	4.850	*6.500	*6.500		
3,5 m	2,4 m	- 1,5 m kg	*3.800	1.600			5.250	2.050	7.650	2.850	*10.700	4.650	*8.750	*8.750	*5.200	*5.200
		- 3,0 m kg	*4.900	1.900			*4.750	2.050	*6.550	2.850	*8.950	4.600	*12.200	9.200	*8.200	*8.200



Arm length	A	⊗		9,0 m		7,5 m		6,0 m		4,5 m		3,0 m		1,5 m		
		⌋	⌋	⌋	⌋	⌋	⌋	⌋	⌋	⌋	⌋	⌋	⌋	⌋		
 Outrigger + blade	2,4 m	7,5 m kg	*4.350	*4.350					*5.100	*5.100						
		6,0 m kg	*4.100	3.500					*6.900	5.150						
		4,5 m kg	*4.100	2.900			5.300	3.350	*7.550	5.000	*9.600	8.200				
		3,0 m kg	4.200	2.600			5.200	3.250	7.650	4.750	*11.000	7.450				
		1,5 m kg	4.100	2.500			5.050	3.100	7.350	4.450	*11.850	7.000				
		0,0 m kg	4.200	2.550			4.950	3.000	7.000	4.200	*11.250	6.700				
		- 1,5 m kg	4.650	2.800			4.900	3.000	6.900	4.100	*9.650	6.600	*9.900	*9.900		
		- 3,0 m kg	*4.000	3.450					*5.400	4.250	*7.200	6.700	*8.400	*8.400		
	2,9 m	7,5 m kg	*2.700	*2.700					*4.500	*4.500						
		6,0 m kg	*2.600	*2.600			*3.900	3.400	*5.400	5.250						
		4,5 m kg	*2.600	2.550			5.350	3.350	*6.700	5.050						
		3,0 m kg	*2.700	2.350			5.200	3.250	7.700	4.800	*10.550	7.750	*16.950	15.950		
		1,5 m kg	*2.950	2.250			5.050	3.100	7.400	4.500	*11.650	7.100				
		0,0 m kg	*3.350	2.300			4.950	3.000	7.050	4.200	*11.550	6.700	*6.050	*6.050		
		- 1,5 m kg	*4.050	2.500			4.850	2.950	6.850	4.050	*10.350	6.550	*9.300	*9.300		
		- 3,0 m kg	*5.350	3.150			*4.000	2.950	*6.050	4.100	*8.200	6.600	*10.400	*10.400		
	3,5 m	7,5 m kg	*2.700	*2.700			*2.750	*2.750								
		6,0 m kg	*2.600	*2.600			*4.200	3.500								
		4,5 m kg	*2.600	2.300	*2.900	2.350	*5.050	3.400	*5.500	5.150						
		3,0 m kg	*2.700	2.050	3.750	2.300	5.250	3.250	*7.450	4.850	*9.750	7.950				
		1,5 m kg	*2.950	2.000	3.700	2.200	5.050	3.100	7.450	4.550	*11.250	7.250				
		0,0 m kg	*3.300	2.000	3.600	2.150	4.900	2.950	7.150	4.300	*11.650	6.750	*6.600	*6.600		
		- 1,5 m kg	3.650	2.150			4.800	2.900	6.850	4.000	*10.850	6.500	*8.900	*8.900	*5.300	*5.300
		- 3,0 m kg	*3.950	2.550			4.800	2.850	*6.650	4.000	*9.100	6.500	*12.400	*12.400	*8.350	*8.350


 Outrigger front + rear	2,4 m	7,5 m kg	*4.350	*4.350					*5.100	*5.100						
		6,0 m kg	*4.100	*4.100					*6.900	6.300						
		4,5 m kg	*4.100	3.600			5.900	4.100	*7.550	6.150	*9.600	*9.600				
		3,0 m kg	*4.300	3.250			5.800	4.000	*8.150	5.850	*11.000	9.450				
		1,5 m kg	4.550	3.150			5.650	3.900	8.250	5.600	*11.850	8.900				
		0,0 m kg	4.700	3.200			5.550	3.800	7.950	5.300	*11.250	8.550				
		- 1,5 m kg	*4.750	3.550			*5.250	3.750	*7.200	5.200	*9.650	8.500	*9.900	*9.900		
		- 3,0 m kg	*4.000	*4.000					*5.400	5.350	*7.200	*7.200	*8.400	*8.400		
	2,9 m	7,5 m kg	*2.700	*2.700					*4.500	*4.500						
		6,0 m kg	*2.600	*2.600			*3.900	*3.900	*5.400	*5.400						
		4,5 m kg	*2.600	*2.600			*5.400	4.150	*6.700	6.200						
		3,0 m kg	*2.700	*2.700			5.800	4.050	*7.850	5.950	*10.550	9.750	*16.950	*16.950		
		1,5 m kg	*2.950	2.800			5.650	3.900	8.300	5.600	*11.650	9.050				
		0,0 m kg	*3.350	2.900			5.550	3.750	8.000	5.300	*11.550	8.600	*6.050	*6.050		
		- 1,5 m kg	*4.050	3.150			5.450	3.700	*7.550	5.150	*10.350	8.450	*9.300	*9.300		
		- 3,0 m kg	*4.000	3.700			*4.000	3.750	*6.050	5.200	*8.200	*8.200	*10.400	*10.400		
	3,5 m	7,5 m kg	*2.700	*2.700			*2.750	*2.750								
		6,0 m kg	*2.600	*2.600			*4.200	*4.200								
		4,5 m kg	*2.600	*2.600			*5.050	4.200	*5.500	*5.500						
		3,0 m kg	*2.700	2.650	*2.900	*2.900	5.850	4.050	*7.450	6.000	*9.750	*9.750				
		1,5 m kg	*2.950	2.550	*4.000	2.900	5.650	3.900	*8.100	5.650	*11.250	9.200				
		0,0 m kg	*3.300	2.550	4.100	2.800	5.500	3.750	8.050	5.400	*11.650	8.650	*6.600	*6.600		
		- 1,5 m kg	*3.950	2.750	4.050	2.750	5.400	3.650	7.750	5.100	*10.850	8.400	*8.900	*8.900	*5.300	*5.300
		- 3,0 m kg	*3.950	3.200			*4.800	3.650	*6.650	5.050	*9.100	8.350	*12.400	*12.400	*8.350	*8.350



- A – Reach from swing center
- B – Bucket hook height
- C – Lifting capacities, including bucket linkage (130 kg) and bucket cylinder (182 kg)




When removing linkage or cylinder, lifting capacities can be increased by their respective weights.

\* Load is limited by hydraulic capacity rather than tipping. Ratings are based on SAE Standard No. J1097. Rated loads do not exceed 87% of hydraulic lift capacity or 75% of tipping load.


-  – Rating over front
-  – Rating over side
-  – Rating at maximum reach


# Lifting Capacity

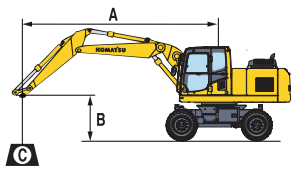
## Two-piece boom / undercarriage width 2,55 m

Arm length	A	⊗		9,0 m		7,5 m		6,0 m		4,5 m		3,0 m		1,5 m		
		⊗	⊗	⊗	⊗	⊗	⊗	⊗	⊗	⊗	⊗	⊗	⊗	⊗		
 Without stabilizer	2,4 m	7,5 m	kg	*4.400	3.050				4.850	3.050						
		6,0 m	kg	3.450	2.050											
		4,5 m	kg	2.800	1.600			3.050	1.800	4.700	2.900	*6.850	4.900			
		3,0 m	kg	2.450	1.400			2.950	1.700	4.400	2.650	7.200	4.300			
		1,5 m	kg	2.350	1.300			2.800	1.600	4.100	2.400	6.500	3.750			
		0,0 m	kg	2.400	1.300			2.700	1.500	3.900	2.200	6.100	3.400			
	2,9 m	- 1,5 m	kg	2.650	1.450			2.700	1.450	3.750	2.100	6.000	3.300	*10.950	6.200	
		- 3,0 m	kg	3.300	1.850					3.850	2.150	6.050	3.350	12.800	6.450	
		7,5 m	kg	*2.800	2.500					*4.150	3.100					
		6,0 m	kg	*2.600	1.750			3.100	1.850		*4.800	3.100				
		4,5 m	kg	2.450	1.400			3.100	1.850	4.750	3.000	*6.050	5.050			
		3,0 m	kg	2.200	1.200			3.000	1.750	4.500	2.750	7.400	4.450	*12.400	8.500	
	3,5 m	1,5 m	kg	2.100	1.100			2.850	1.600	4.150	2.450	6.650	3.850	*6.350	*6.350	
		0,0 m	kg	2.100	1.100			2.700	1.450	3.900	2.200	6.150	3.400	*6.950	6.200	
		- 1,5 m	kg	2.300	1.200			2.600	1.400	3.750	2.050	5.950	3.250	*10.200	6.100	
- 3,0 m		kg	2.800	1.500					3.750	2.050	5.950	3.250	12.550	6.250		
7,5 m		kg	*2.700	2.050												
6,0 m		kg	*2.550	1.500			3.200	1.950	*4.100	3.200						
2,4 m	4,5 m	kg	2.150	1.200			3.150	1.900	*4.700	3.050						
	3,0 m	kg	1.950	1.000	2.050	1.100	3.000	1.750	4.600	2.800	*7.000	4.650	*10.000	9.200		
	1,5 m	kg	1.850	900	1.950	1.000	2.850	1.600	4.250	2.500	6.750	3.900				
	0,0 m	kg	1.850	900	1.900	950	2.700	1.450	3.900	2.200	6.550	3.500	*7.600	6.300		
	- 1,5 m	kg	2.000	1.000			2.550	1.350	3.700	2.000	5.950	3.200	*9.700	6.050	*5.400	
	- 3,0 m	kg	2.350	1.250			2.550	1.350	3.650	1.950	5.850	3.150	12.350	6.100		
 Front or rear blade	2,4 m	7,5 m	kg	*4.400	3.500				*5.350	3.500						
		6,0 m	kg	*4.100	2.450											
		4,5 m	kg	*4.050	1.950			5.300	2.150	*5.850	3.350	*6.850	5.600			
		3,0 m	kg	*4.200	1.650			5.200	2.050	*6.700	3.100	*8.750	5.000			
		1,5 m	kg	4.250	1.550			5.050	1.950	7.450	2.850	*10.500	4.400			
		0,0 m	kg	4.350	1.600			4.900	1.850	7.150	2.650	*11.300	4.050			
	2,9 m	- 1,5 m	kg	4.850	1.800			4.900	1.800	7.000	2.550	*11.100	3.950	*10.950	7.550	
		- 3,0 m	kg	*6.000	2.250					*7.100	2.600	*9.900	4.000	*14.050	7.800	
		7,5 m	kg	*2.800	*2.800					*4.150	3.550					
		6,0 m	kg	*2.600	2.100			*3.200	2.200	*4.800	3.600					
		4,5 m	kg	*2.550	1.700			*4.950	2.200	*5.350	3.450	*6.050	5.750			
		3,0 m	kg	*2.650	1.450			5.250	2.050	*6.250	3.200	*7.950	5.200	*12.400	9.950	
	3,5 m	1,5 m	kg	*2.900	1.350			5.050	1.950	*7.200	2.900	*9.900	4.550	*6.350	*6.350	
		0,0 m	kg	*3.250	1.400			4.900	1.800	7.200	2.650	*11.050	4.100	*6.950	*6.950	
		- 1,5 m	kg	*3.950	1.500			4.800	1.750	7.000	2.500	*11.200	3.900	*10.200	7.450	
- 3,0 m		kg	5.150	1.850					7.000	2.500	*10.400	3.950	*15.250	7.650		
7,5 m		kg	*2.750	2.400												
6,0 m		kg	*2.550	1.800			*3.950	2.300	*4.100	3.700						
2,4 m	4,5 m	kg	*2.550	1.450			*4.500	2.250	*4.700	3.550						
	3,0 m	kg	*2.650	1.250	*3.350	1.350	*4.950	2.100	*5.650	3.250	*7.000	5.400	*10.000	*10.000		
	1,5 m	kg	*2.850	1.200	3.650	1.300	5.100	1.950	*6.750	2.950	*9.050	4.600				
	0,0 m	kg	*3.200	1.200	3.550	1.200	4.900	1.800	7.250	2.650	*10.600	4.150	*7.600	*7.600		
	- 1,5 m	kg	3.750	1.300			4.750	1.700	7.000	2.450	*11.150	3.900	*9.750	7.400	*5.400	
	- 3,0 m	kg	4.400	1.550			4.750	1.650	6.900	2.400	*10.750	3.800	*13.700	7.450		
 Rear outrigger	2,4 m	7,5 m	kg	*4.400	4.050											
		6,0 m	kg	*4.100	2.850					*5.350	4.050					
		4,5 m	kg	*4.050	2.300			*5.350	2.500	*5.850	3.900	*6.850	6.450			
		3,0 m	kg	*4.200	2.000			*5.700	2.450	*6.700	3.650	*8.750	5.850			
		1,5 m	kg	*4.550	1.900			5.650	2.300	*7.550	3.350	*10.500	5.250			
		0,0 m	kg	*4.900	1.950			5.550	2.200	*8.050	3.150	*11.300	4.850			
	2,9 m	- 1,5 m	kg	5.450	2.150			5.500	2.150	8.000	3.050	*11.100	4.750	*10.950	9.300	
		- 3,0 m	kg	*6.000	2.700					*7.100	3.100	*9.900	4.850	*14.050	9.550	
		7,5 m	kg	*2.800	*2.800					*4.150	4.100					
		6,0 m	kg	*2.600	2.450			*3.200	2.600	*4.800	4.150					
		4,5 m	kg	*2.550	2.000			*4.950	2.550	*5.350	4.000	*6.050	*6.050			
		3,0 m	kg	*2.650	1.750			*5.350	2.450	*6.250	3.700	*7.950	6.050	*12.400	11.900	
	3,5 m	1,5 m	kg	*2.900	1.700			5.650	2.300	*7.200	3.400	*9.900	5.350	*6.350	*6.350	
		0,0 m	kg	*3.250	1.700			5.500	2.200	*7.900	3.150	*11.050	4.900	*6.950	*6.950	
		- 1,5 m	kg	*3.950	1.850			5.450	2.100	*7.950	3.000	*11.200	4.700	*10.200	9.200	
- 3,0 m		kg	*5.250	2.250					*7.500	3.000	*10.400	4.750	*15.250	9.350		
7,5 m		kg	*2.750	*2.750												
6,0 m		kg	*2.550	2.100			*3.950	2.700	*4.100	*4.100						
2,4 m	4,5 m	kg	*2.550	1.750			*4.500	2.600	*4.700	4.100						
	3,0 m	kg	*2.650	1.550	*3.350	1.650	4.950	2.500	*5.650	3.800	*7.000	6.250	*10.000	*10.000		
	1,5 m	kg	*2.850	1.450	*3.950	1.550	*5.500	2.300	*6.750	3.450	*9.050	5.450				
	0,0 m	kg	*3.200	1.450	*3.650	1.500	5.500	2.150	*7.550	3.150	*10.600	4.950	*7.600	*7.600		
	- 1,5 m	kg	*3.800	1.600			5.400	2.050	7.950	3.000	*11.150	4.700	*9.750	9.100	*5.400	
	- 3,0 m	kg	*4.900	1.900			5.350	2.050	*7.750	2.950	*10.750	4.600	*13.700	9.150		



Arm length	A	⊗		9,0 m		7,5 m		6,0 m		4,5 m		3,0 m		1,5 m		
		⊗	⊗	⊗	⊗	⊗	⊗	⊗	⊗	⊗	⊗	⊗	⊗	⊗		
 <p>Outrigger + blade</p>	2,4 m	7,5 m kg	*4.500	*4.500												
		6,0 m kg	*4.150	3.800					*5.450	5.300						
		4,5 m kg	*4.100	3.100			*5.450	3.400	*5.950	5.150	*7.000	*7.000				
		3,0 m kg	*4.250	2.800			5.750	3.300	*6.850	4.900	*8.900	7.900				
		1,5 m kg	*4.600	2.650			5.600	3.150	*7.700	4.600	*10.650	7.200				
		0,0 m kg	4.850	2.700			5.500	3.050	8.000	4.350	*11.450	6.850				
	2,9 m	- 1,5 m kg	5.400	3.000			5.450	3.050	7.850	4.250	*11.250	6.700	*11.150	*11.150		
		- 3,0 m kg	*6.100	3.700					*7.250	4.300	*10.050	6.800	*14.250	*14.250		
		7,5 m kg	*2.850	*2.850					*4.250	*4.250						
		6,0 m kg	*2.650	*2.650			*3.250	*3.250	*4.850	*4.850						
		4,5 m kg	*2.600	*2.600			*5.000	3.450	*5.450	5.250	*6.150	*6.150				
		3,0 m kg	*2.700	2.500			*5.450	3.350	*6.350	4.950	*8.100	8.100	*12.550	*12.550		
	3,5 m	1,5 m kg	*2.950	2.400			5.650	3.200	*7.300	4.650	*10.050	7.350	*6.450	*6.450		
		0,0 m kg	*3.350	2.400			5.500	3.050	*8.000	4.400	*11.250	6.900	*7.050	*7.050		
		- 1,5 m kg	*4.000	2.650			5.400	3.000	7.800	4.200	*11.400	6.700	*10.350	*10.350		
- 3,0 m kg		*5.350	3.150					*7.650	4.200	*10.550	6.700	*15.450	*14.050			
7,5 m kg		*2.750	*2.750													
6,0 m kg		*2.600	*2.600			*4.000	3.550	*4.200	*4.200							

 <p>Outrigger front + rear</p>	2,4 m	7,5 m kg	*4.500	*4.500												
		6,0 m kg	*4.150	*4.150					*5.450	*5.450						
		4,5 m kg	*4.100	3.850			*5.450	4.200	*5.950	*5.950	*7.000	*7.000				
		3,0 m kg	*4.250	3.450			*5.800	4.100	*6.850	6.000	*8.900	*8.900				
		1,5 m kg	*4.600	3.300			5.750	3.950	*7.700	5.700	*10.650	9.150				
		0,0 m kg	5.000	3.400			5.650	3.850	*8.200	5.450	*11.450	8.750				
	2,9 m	- 1,5 m kg	5.550	3.750			5.600	3.800	8.050	5.350	*11.250	8.600	*11.150	*11.150		
		- 3,0 m kg	*6.100	4.650					*7.250	5.400	*10.050	8.700	*14.250	*14.250		
		7,5 m kg	*2.850	*2.850					*4.250	*4.250						
		6,0 m kg	*2.650	*2.650			*3.250	*3.250	*4.850	*4.850						
		4,5 m kg	*2.600	*2.600			*5.000	4.250	*5.450	*5.450	*6.150	*6.150				
		3,0 m kg	*2.700	*2.700			*5.450	4.100	*6.350	6.100	*8.100	*8.100	*12.550	*12.550		
	3,5 m	1,5 m kg	*2.950	*2.950			5.800	3.950	*7.300	5.750	*10.050	9.300	*6.450	*6.450		
		0,0 m kg	*3.350	3.050			5.650	3.800	*8.000	5.500	*11.250	8.800	*7.050	*7.050		
		- 1,5 m kg	*4.000	3.350			5.550	3.750	8.000	5.300	*11.400	8.550	*10.350	*10.350		
- 3,0 m kg		*5.350	4.000					*7.650	5.300	*10.550	8.550	*15.450	*15.450			
7,5 m kg		*2.750	*2.750													
6,0 m kg		*2.600	*2.600			*4.000	*4.000	*4.200	*4.200							



- A – Reach from swing center
- B – Bucket hook height
- C – Lifting capacities, including bucket linkage (130 kg) and bucket cylinder (182 kg)

When removing linkage or cylinder, lifting capacities can be increased by their respective weights.



\* Load is limited by hydraulic capacity rather than tipping. Ratings are based on SAE Standard No. J1097. Rated loads do not exceed 87% of hydraulic lift capacity or 75% of tipping load.

- ⊗ – Rating over front
- ⊗ – Rating over side
- ⊗ – Rating at maximum reach





# Lifting Capacity

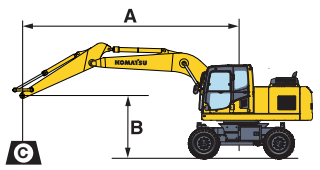
## Mono boom / undercarriage width 2,75 m

Arm length	A B	⊗		9,0 m		7,5 m		6,0 m		4,5 m		3,0 m		1,5 m		
		⊗	⊗	⊗	⊗	⊗	⊗	⊗	⊗	⊗	⊗	⊗	⊗	⊗		
 Without stabilizer	2,4 m	7,5 m kg	*4.250	3.150					4.850	3.400						
		6,0 m kg	3.300	2.300					4.900	3.450						
		4,5 m kg	2.750	1.850			3.200	2.150	4.750	3.350	7.850	5.400				
		3,0 m kg	2.500	1.650			3.100	2.100	4.500	3.100	7.150	4.800				
		1,5 m kg	2.400	1.550			2.950	2.000	4.300	2.900	6.700	4.700				
		0,0 m kg	2.450	1.600			2.900	1.900	4.000	2.650	6.400	4.150				
	2,9 m	- 1,5 m kg	2.700	1.750			2.850	1.850	3.900	2.550	6.350	4.100	*9.750	7.850		
		- 3,0 m kg	3.300	2.150					4.050	2.650	6.400	4.150	*8.450	8.100		
		7,5 m kg	*2.650	2.600					*4.450	3.450						
		6,0 m kg	*2.550	1.900			3.200	2.150	4.900	3.450						
		4,5 m kg	2.350	1.550			3.150	2.100	4.750	3.300						
		3,0 m kg	2.150	1.350			3.000	2.000	4.450	3.050	7.250	4.900	14.950	9.250		
	3,5 m	1,5 m kg	2.050	1.300			2.850	1.900	4.200	2.800	6.600	4.350				
		0,0 m kg	2.100	1.300			2.750	1.750	3.900	2.550	6.200	4.000	*5.950	*5.950		
		- 1,5 m kg	2.250	1.450			2.700	1.700	3.700	2.350	6.100	3.850	*9.200	7.400		
		- 3,0 m kg	2.700	1.750			2.750	1.750	3.800	2.400	6.100	3.900	*10.200	7.600		
		7,5 m kg	*2.650	2.150			*2.700	2.200								
		6,0 m kg	2.450	1.650			3.250	2.250								
 Front or rear blade	2,4 m	7,5 m kg	*4.250	3.600					*5.050	3.850						
		6,0 m kg	*4.000	2.550					*6.800	3.900						
		4,5 m kg	*4.050	2.100			5.300	2.450	*7.450	3.750	*9.450	6.150				
		3,0 m kg	4.200	1.850			5.200	2.350	7.750	3.500	*10.850	5.450				
		1,5 m kg	4.100	1.750			5.050	2.250	7.450	3.250	*11.650	5.000				
		0,0 m kg	4.200	1.800			4.950	2.150	7.100	3.000	*11.050	4.700				
	2,9 m	- 1,5 m kg	4.650	2.000			4.950	2.150	7.000	2.900	*9.500	4.650	*9.750	9.100		
		- 3,0 m kg	*3.950	2.450					*5.300	3.050	*7.100	4.750	*8.200	*8.200		
		7,5 m kg	*2.650	*2.650					*4.450	3.950						
		6,0 m kg	*2.550	2.250			*3.850	2.550	*5.300	3.950						
		4,5 m kg	*2.550	1.850			*5.300	2.500	*6.600	3.800						
		3,0 m kg	*2.650	1.650			5.250	2.350	*7.750	3.550	*10.350	5.700	*16.700	10.950		
	3,5 m	1,5 m kg	*2.900	1.550			5.100	2.250	7.500	3.300	*11.450	5.100				
		0,0 m kg	*3.300	1.600			4.950	2.150	7.150	3.000	*11.350	4.750	*5.950	*5.950		
		- 1,5 m kg	*4.000	1.750			4.900	2.050	6.950	2.850	*10.150	4.600	*9.200	9.000		
		- 3,0 m kg	*3.900	2.100			*3.950	2.100	*5.950	2.900	*8.050	4.650	*10.200	9.200		
		7,5 m kg	*2.650	2.550			*2.700	2.550								
		6,0 m kg	*2.550	1.950			*4.150	2.600								
 Rear outrigger	2,4 m	7,5 m kg	*4.250	4.050					*5.050	4.350						
		6,0 m kg	*4.000	2.950					*6.800	4.400						
		4,5 m kg	*4.050	2.400			5.950	2.800	*7.450	4.250	*9.450	6.900				
		3,0 m kg	*4.200	2.150			5.800	2.700	*8.050	4.000	*10.850	6.200				
		1,5 m kg	4.550	2.050			5.700	2.600	*8.350	3.750	*11.650	5.750				
		0,0 m kg	4.700	2.100			5.550	2.500	*8.050	3.450	*11.050	5.450				
	2,9 m	- 1,5 m kg	*4.650	2.300			*5.150	2.450	*7.050	3.350	*9.500	5.400	*9.750	*9.750		
		- 3,0 m kg	*3.950	2.850					*5.300	3.500	*7.100	5.500	*8.200	*8.200		
		7,5 m kg	*2.650	*2.650					*4.450	*4.450						
		6,0 m kg	*2.550	*2.550			*3.850	2.900	*5.300	4.450						
		4,5 m kg	*2.550	2.150			*5.300	2.850	*6.600	4.300						
		3,0 m kg	*2.650	1.900			5.850	2.700	*7.750	4.050	*10.350	6.500	*16.700	12.750		
	3,5 m	1,5 m kg	*2.900	1.850			5.700	2.600	*8.250	3.750	*11.450	5.850				
		0,0 m kg	*3.300	1.850			5.550	2.450	8.100	3.500	*11.350	5.500	*5.950	*5.950		
		- 1,5 m kg	*4.000	2.050			5.500	2.400	*7.400	3.300	*10.150	5.350	*9.200	*9.200		
		- 3,0 m kg	*3.900	2.450			*3.950	2.450	*5.950	3.350	*8.050	5.400	*10.200	*10.200		
		7,5 m kg	*2.650	*2.650			*2.700	*2.700								
		6,0 m kg	*2.550	2.250			*4.150	2.950								



Arm length	A	⊗		9,0 m		7,5 m		6,0 m		4,5 m		3,0 m		1,5 m	
		⌋	⌋	⌋	⌋	⌋	⌋	⌋	⌋	⌋	⌋	⌋	⌋	⌋	
 Outrigger + blade	2,4 m	7,5 m kg	*4.350	*4.350					*5.100	*5.100					
		6,0 m kg	*4.100	3.750					*6.900	5.550					
		4,5 m kg	*4.100	3.150			5.400	3.600	*7.550	5.400	*9.600	8.900			
		3,0 m kg	*4.300	2.850			5.300	3.500	7.800	5.150	*11.000	8.150			
		1,5 m kg	4.200	2.750			5.150	3.400	7.500	4.850	*11.850	7.650			
		0,0 m kg	4.300	2.800			5.050	3.300	7.200	4.600	*11.250	7.300			
	2,9 m	- 1,5 m kg	4.750	3.100			5.050	3.250	7.050	4.500	*9.650	7.250	*9.900	*9.900	
		- 3,0 m kg	*4.000	3.750					*5.400	4.650	*7.200	*7.200	*8.400	*8.400	
		7,5 m kg	*2.700	*2.700					*4.500	*4.500					
		6,0 m kg	*2.600	*2.600			*3.900	3.700		*5.400	*5.400				
		4,5 m kg	*2.600	*2.600			*5.400	3.650	*6.700	5.450					
		3,0 m kg	*2.700	2.550			5.350	3.550	*7.850	5.200	*10.550	8.400	*16.950	*16.950	
	3,5 m	1,5 m kg	*2.950	2.450			5.200	3.400	7.550	4.900	*11.650	7.750			
		0,0 m kg	*3.350	2.500			5.050	3.300	7.200	4.600	*11.550	7.350	*6.050	*6.050	
		- 1,5 m kg	*4.050	2.750			5.000	3.200	7.000	4.450	*10.350	7.200	*9.300	*9.300	
- 3,0 m kg		*5.350	3.250			*4.000	3.250	*6.050	4.500	*8.200	7.250	*10.400	*10.400		
7,5 m kg		*2.700	*2.700			*2.750	*2.750								
6,0 m kg		*2.600	*2.600			*4.200	3.750								

 Outrigger front + rear	2,4 m	7,5 m kg	*4.350	*4.350					*5.100	*5.100					
		6,0 m kg	*4.100	*4.100					*6.900	6.700					
		4,5 m kg	*4.100	3.800			6.050	4.400	*7.550	6.500	*9.600	*9.600			
		3,0 m kg	*4.300	3.450			5.900	4.300	*8.150	6.250	*11.000	10.100			
		1,5 m kg	4.700	3.350			5.800	4.150	8.450	5.950	*11.850	9.550			
		0,0 m kg	4.800	3.450			5.700	4.050	8.100	5.650	*11.250	9.200			
	2,9 m	- 1,5 m kg	*4.750	3.800			*5.250	4.000	*7.200	5.550	*9.650	9.150	*9.900	*9.900	
		- 3,0 m kg	*4.000	*4.000					*5.400	*5.400	*7.200	*7.200	*8.400	*8.400	
		7,5 m kg	*2.700	*2.700					*4.500	*4.500					
		6,0 m kg	*2.600	*2.600			*3.900	*3.900	*5.400	*5.400					
		4,5 m kg	*2.600	*2.600			*5.400	4.400	*6.700	6.600					
		3,0 m kg	*2.700	*2.700			5.950	4.300	*7.850	6.300	*10.550	10.400	*16.950	*16.950	
	3,5 m	1,5 m kg	*2.950	*2.950			5.800	4.150	*8.350	6.000	*11.650	9.700			
		0,0 m kg	*3.350	3.100			5.650	4.050	8.150	5.700	*11.550	9.250	*6.050	*6.050	
		- 1,5 m kg	*4.050	3.350			5.600	3.950	*7.550	5.500	*10.350	9.100	*9.300	*9.300	
- 3,0 m kg		*4.000	*4.000			*4.000	4.000	*6.050	5.550	*8.200	*8.200	*10.400	*10.400		
7,5 m kg		*2.700	*2.700			*2.750	*2.750								
6,0 m kg		*2.600	*2.600			*4.200	*4.200								



- A – Reach from swing center
- B – Bucket hook height
- C – Lifting capacities, including bucket linkage (130 kg) and bucket cylinder (182 kg)

When removing linkage or cylinder, lifting capacities can be increased by their respective weights.

\* Load is limited by hydraulic capacity rather than tipping. Ratings are based on SAE Standard No. J1097. Rated loads do not exceed 87% of hydraulic lift capacity or 75% of tipping load.


-  – Rating over front
-  – Rating over side
-  – Rating at maximum reach


# Lifting Capacity

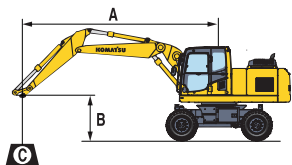
## Two-piece boom / undercarriage width 2,75 m

Arm length	A	9,0 m		7,5 m		6,0 m		4,5 m		3,0 m		1,5 m			
 Without stabilizer	2,4 m	7,5 m kg	*4.400	3.500			4.950	3.450							
		6,0 m kg	3.500	2.400											
		4,5 m kg	2.850	1.900		3.150	2.100	4.800	3.350	*6.850	5.550				
		3,0 m kg	2.550	1.650		3.050	2.000	4.500	3.100	7.350	4.950				
		1,5 m kg	2.450	1.550		2.900	1.900	4.250	2.800	6.700	4.350				
		0,0 m kg	2.500	1.550		2.800	1.800	4.000	2.600	6.300	4.000				
	2,9 m	- 1,5 m kg	2.750	1.750		2.750	1.750	3.900	2.500	6.200	3.900	*10.950	7.450		
		- 3,0 m kg	3.400	2.200				3.950	2.550	6.250	3.950	*13.150	7.700		
		7,5 m kg	*2.800	*2.800				*4.150	3.500						
		6,0 m kg	*2.600	2.050		*3.200	2.150	*4.800	3.550						
		4,5 m kg	2.550	1.650		3.200	2.150	4.900	3.400	*6.050	5.700				
		3,0 m kg	2.250	1.450		3.050	2.050	4.600	3.150	7.550	5.150	*12.400	9.850		
3,5 m	1,5 m kg	2.150	1.350		2.900	1.900	4.300	2.850	6.850	4.500	*6.350	*6.350			
	0,0 m kg	2.200	1.350		2.800	1.750	4.050	2.600	6.350	4.050	*6.950	*6.950			
	- 1,5 m kg	2.400	1.500		2.700	1.700	3.850	2.450	6.150	3.850	*10.200	7.350			
	- 3,0 m kg	2.900	1.850				3.850	2.450	6.150	3.850	12.950	7.550			
	7,5 m kg	*2.700	2.400												
	6,0 m kg	*2.550	1.750		3.300	2.250	*4.100	3.650							
2,4 m	4,5 m kg	2.250	1.400		3.250	2.200	*4.700	2.500							
	3,0 m kg	2.000	1.250	2.100	1.300	3.100	2.050	4.700	3.200	*7.000	5.350	*10.000	*10.000		
	1,5 m kg	1.900	1.150	2.050	1.250	2.950	1.900	4.350	2.900	6.950	4.550				
	0,0 m kg	1.950	1.150	1.950	1.200	2.750	1.750	4.050	2.600	6.400	4.100	*7.600	7.550		
	- 1,5 m kg	2.100	1.250			2.650	1.650	3.850	2.450	6.100	3.850	*9.700	7.300	*5.400	*5.400
	- 3,0 m kg	2.450	1.500			2.650	1.650	3.800	2.350	6.050	3.750	12.700	7.350		
 Front or rear blade	2,4 m	7,5 m kg	*4.400	4.000											
		6,0 m kg	*4.100	4.800											
		4,5 m kg	*4.050	2.250		*5.350	2.450	*5.850	3.850	*6.850	6.350				
		3,0 m kg	*4.200	1.950		5.350	2.400	*6.700	3.600	*8.750	5.750				
		1,5 m kg	4.350	1.850		5.200	2.250	*7.550	3.300	*10.500	5.150				
		0,0 m kg	4.500	1.900		5.050	2.150	7.350	3.100	*11.300	4.750				
	2,9 m	- 1,5 m kg	4.950	2.100		5.000	2.150	7.250	3.000	*11.100	4.650	*10.950	9.050		
		- 3,0 m kg	*6.000	2.650				*7.100	3.050	*9.900	4.750	*14.050	9.300		
		7,5 m kg	*2.800	*2.800				*4.150	4.050						
		6,0 m kg	*2.600	2.400		*3.200	2.550	*4.800	4.050						
		4,5 m kg	*2.550	1.950		*4.950	2.500	*5.350	3.900	*6.050	*6.050				
		3,0 m kg	*2.650	1.750		*5.350	2.400	*6.250	3.650	*7.950	5.950	*12.400	11.600		
3,5 m	1,5 m kg	*2.900	1.650		5.200	2.250	*7.200	3.350	*9.900	5.250	*6.350	*6.350			
	0,0 m kg	*3.250	1.650		5.050	2.150	*7.400	3.100	*11.050	4.800	*6.950	*6.950			
	- 1,5 m kg	*3.950	1.800		4.950	2.050	*7.200	2.950	*11.200	4.600	*10.200	8.950			
	- 3,0 m kg	*5.250	2.200				*7.200	2.950	*10.400	4.650	*15.250	9.150			
	7,5 m kg	*2.750	*2.750												
	6,0 m kg	*2.550	2.100		*3.950	2.650	*4.100	*4.100							
2,4 m	4,5 m kg	*2.550	1.700		*4.500	2.600	*4.700	4.000							
	3,0 m kg	*2.650	1.500	*3.350	1.600	*4.950	2.450	*5.650	3.750	*7.000	6.150	*10.000	*10.000		
	1,5 m kg	*2.850	1.450	3.750	1.550	5.200	2.250	*6.750	3.400	*9.050	5.350				
	0,0 m kg	*3.200	1.450	*3.650	1.450	5.050	2.100	7.450	3.100	*10.600	4.850	*7.600	*7.600		
	- 1,5 m kg	*3.800	1.550			4.900	2.000	7.200	2.900	*11.150	4.600	*9.750	8.850	*5.400	*5.400
	- 3,0 m kg	4.550	1.850			4.900	2.000	7.100	2.850	*10.750	4.500	*13.700	8.950		
 Rear outrigger	2,4 m	7,5 m kg	*4.400	*4.400											
		6,0 m kg	*4.100	3.200											
		4,5 m kg	*4.050	2.600		*5.350	2.850	*5.850	4.350	*6.850	*6.850				
		3,0 m kg	*4.200	2.300		*5.700	2.750	*6.700	4.100	*8.750	6.550				
		1,5 m kg	*4.550	2.150		5.800	2.600	*7.550	3.800	*10.500	5.900				
		0,0 m kg	5.000	2.200		5.700	2.500	*8.050	3.600	*11.300	5.550				
	2,9 m	- 1,5 m kg	5.600	2.450		5.650	2.450	*8.000	3.450	*11.100	5.400	*10.950	*10.750		
		- 3,0 m kg	*6.000	3.050				*7.100	3.550	*9.900	5.500	*14.050	11.050		
		7,5 m kg	*2.800	*2.800				*4.150	*4.150						
		6,0 m kg	*2.600	*2.600		*3.200	2.900	*4.800	4.550						
		4,5 m kg	*2.550	2.300		*4.950	2.900	*5.350	4.400	*6.050	*6.050				
		3,0 m kg	*2.650	2.050		*5.350	2.750	*6.250	4.150	*7.950	6.750	*12.400	*12.400		
3,5 m	1,5 m kg	*2.900	1.950		*5.850	2.600	*7.200	3.850	*9.900	6.050	*6.350	*6.350			
	0,0 m kg	*3.250	1.950		5.650	2.500	*7.900	3.600	*11.050	5.600	*6.950	*6.950			
	- 1,5 m kg	*3.950	2.150		5.600	2.400	*8.000	3.400	*11.200	5.400	*10.200	*10.200			
	- 3,0 m kg	*5.250	2.600				*7.500	3.450	*10.400	5.400	*15.250	10.850			
	7,5 m kg	*2.750	*2.750												
	6,0 m kg	*2.550	2.400		*3.950	3.000	*4.100	*4.100							
2,4 m	4,5 m kg	*2.550	2.000		*4.500	2.950	4.700	4.500							
	3,0 m kg	*2.650	1.800	*3.350	1.900	*4.950	2.800	*5.650	4.250	*7.000	6.950	*10.000	*10.000		
	1,5 m kg	*2.850	1.700	*3.950	1.800	*5.500	2.650	*6.750	3.900	*9.050	6.150				
	0,0 m kg	*3.200	1.700	*3.650	1.750	5.650	2.450	*7.550	3.600	*10.600	5.650	*7.600	*7.600		
	- 1,5 m kg	*3.800	1.850			5.550	2.350	*7.950	3.400	*11.150	5.350	*9.750	*9.750	*5.400	*5.400
	- 3,0 m kg	*4.900	2.200			5.500	2.350	*7.750	3.350	*10.750	5.300	13.700	10.650		



Arm length	A	⊗		9,0 m		7,5 m		6,0 m		4,5 m		3,0 m		1,5 m	
		⊗	⊗	⊗	⊗	⊗	⊗	⊗	⊗	⊗	⊗	⊗	⊗	⊗	
 Outrigger + blade	2,4 m	7,5 m kg	*4.500	*4.500					*5.450	*5.450					
		6,0 m kg	*4.150	4.150											
		4,5 m kg	*4.100	3.400			*5.450	3.700	*5.950	5.600	*7.000	*7.000			
		3,0 m kg	*4.250	3.050			*5.800	3.600	*6.850	5.350	*8.900	8.650			
		1,5 m kg	*4.600	2.950			5.750	3.500	*7.700	5.050	*10.650	7.950			
		0,0 m kg	4.950	3.000			5.600	3.400	8.150	4.800	*11.450	7.550			
	2,9 m	- 1,5 m kg	5.500	3.300			5.550	3.350	8.000	4.650	*11.250	7.400	*11.150	*11.150	
		- 3,0 m kg	*6.100	4.100					*7.250	4.750	*10.050	7.500	*14.250	*14.250	
		7,5 m kg	*2.850	*2.850					*4.250	*4.250					
		6,0 m kg	*2.650	*2.650			*3.250	*3.250	*4.850	*4.850					
		4,5 m kg	*2.600	*2.600			*5.000	3.750	*5.450	*5.450	*6.150	*6.150			
		3,0 m kg	*2.700	*2.700			*5.450	3.650	*6.350	5.400	*8.100	8.100	*12.550	*12.550	
3,5 m	1,5 m kg	*2.950	2.650			5.750	3.500	*7.300	5.100	*10.050	8.100	*6.450	*6.450		
	0,0 m kg	*3.350	2.650			5.600	3.350	*8.000	4.800	*11.250	7.600	*7.050	*7.050		
	- 1,5 m kg	*4.000	2.900			5.500	3.300	7.950	4.650	*11.400	7.400	*10.350	*10.350		
	- 3,0 m kg	*5.350	3.500					*7.650	4.650	*10.550	7.400	*15.450	*15.450		
	7,5 m kg	*2.750	*2.750												
	6,0 m kg	*2.600	*2.600			*4.000	3.900	*4.200	*4.200						
3,5 m	4,5 m kg	*2.600	*2.600			*4.550	3.850	*4.800	*4.800						
	3,0 m kg	*2.700	2.450	*3.400	2.550	*5.050	3.700	*5.750	5.500	*7.100	*7.100	*10.150	*10.150		
	1,5 m kg	*2.900	2.350	*4.000	2.500	*5.600	3.500	*6.850	5.150	*9.200	8.200				
	0,0 m kg	*3.250	2.350	*3.700	2.400	5.600	3.350	*7.700	4.850	*10.800	7.650	*7.700	*7.700		
	- 1,5 m kg	*3.850	2.550			5.450	3.250	7.950	4.600	*11.350	7.350	*9.850	*9.850	*5.500	*5.500
	- 3,0 m kg	*5.000	3.000			5.450	3.200	*7.850	4.550	*10.950	7.300	*13.900	13.900		

 Outrigger front + rear	2,4 m	7,5 m kg	*4.500	*4.500					*5.450	*5.450					
		6,0 m kg	*4.150	*4.150											
		4,5 m kg	*4.100	4.100			*5.450	4.450	*5.950	*5.950	*7.000	*7.000			
		3,0 m kg	*4.250	3.700			*5.800	4.350	*6.850	6.400	*8.900	*8.900			
		1,5 m kg	*4.600	3.550			5.900	4.200	*7.700	6.100	*10.650	9.800			
		0,0 m kg	5.150	3.650			5.800	4.100	*8.200	5.850	*11.450	9.400			
	2,9 m	- 1,5 m kg	5.700	4.050			5.750	4.050	*8.150	5.700	*11.250	9.250	*11.150	*11.150	
		- 3,0 m kg	*6.100	4.950					*7.250	5.800	*10.050	*9.300	*14.250	*14.250	
		7,5 m kg	*2.850	*2.850					*4.250	*4.250					
		6,0 m kg	*2.650	*2.650			*3.250	*3.250	*4.850	*4.850					
		4,5 m kg	*2.600	*2.600			*5.000	4.500	*5.450	*5.450	*6.150	*6.150			
		3,0 m kg	*2.700	*2.700			*5.450	4.400	*6.350	*6.350	*8.100	*8.100	*12.550	*12.550	
3,5 m	1,5 m kg	*2.950	*2.950			5.900	4.250	*7.300	6.150	*10.050	10.000	*6.450	*6.450		
	0,0 m kg	*3.350	3.250			5.750	4.100	*8.000	5.850	*11.250	9.450	*7.050	*7.050		
	- 1,5 m kg	*4.000	3.550			5.700	4.000	*8.150	5.700	*11.400	9.200	*10.350	*10.350		
	- 3,0 m kg	*5.350	4.250					*7.650	5.700	*10.550	8.550	*15.450	*15.450		
	7,5 m kg	*2.750	*2.750												
	6,0 m kg	*2.600	*2.600			*4.000	*4.000	*4.200	*4.200						
3,5 m	4,5 m kg	*2.600	*2.600			*4.550	*4.550	*4.800	*4.800						
	3,0 m kg	*2.700	*2.700	*3.400	3.100	*5.050	4.450	*5.750	*5.750	*7.100	*7.100	*10.150	*10.150		
	1,5 m kg	*2.900	2.900	*4.000	3.050	*5.600	4.250	*6.850	6.200	*9.200	*9.200				
	0,0 m kg	*3.250	2.900	*3.700	2.950	5.750	4.050	*7.700	5.900	*10.800	9.550	*7.700	*7.700		
	- 1,5 m kg	*3.850	3.150			5.650	3.950	*8.100	5.700	*11.350	9.200	*9.850	*9.850	*5.500	*5.500
	- 3,0 m kg	*5.000	3.650			5.600	3.950	*7.850	5.600	*10.950	9.100	*13.900	*13.900		



- A – Reach from swing center
- B – Bucket hook height
- C – Lifting capacities, including bucket linkage (130 kg) and bucket cylinder (182 kg)

When removing linkage or cylinder, lifting capacities can be increased by their respective weights.

\* Load is limited by hydraulic capacity rather than tipping. Ratings are based on SAE Standard No. J1097. Rated loads do not exceed 87% of hydraulic lift capacity or 75% of tipping load.

- ⊗ – Rating over front
- ⊗ – Rating over side
- ⊗ – Rating at maximum reach