

Komatsu Reman



Remanufactured components

Major components
Minor components



Commitment to Reman

Reduce your operating costs with no compromise on quality

As a leading Original Equipment Manufacturer (OEM), Komatsu keeps your Total Cost of Ownership as low as possible. Our investments in Reman facilities and products are proof of this commitment.

The Komatsu remanufacturing process involves much more than just rebuilding. Components are returned to their original specifications, in-house, using state-of-the-art salvage technology. Our strict reuse guidelines, advanced manufacturing systems and quality control further guarantee like-new performance and reliability.

Peace of mind

- Long warranty
- Minimum downtime

Cost savings

- Up to 40% less expensive than new components
- Tolerant core acceptance

Reliability

- In-house remanufacturing
- Critical engineering upgrades



Reman, rebuild and repair

	Process	Quality	Warranty
Reman	A used product is restored to its original specifications. Involves complete disassembly, cleaning, parts testing and ensuring replacement or salvage, reassembly, testing, painting.	Same as New	Same or better than New
Rebuild	A used product is restored to a satisfactory working condition by rebuilding or repairing major parts. Worn and failed parts are replaced.	Inferior to New	Limited time only. It may or may not cover the complete product.
Repair	A broken product is restored to a usable condition. Minimum effort required to address a specific problem.	Inferior to Rebuild	Limited time. It covers only replaced/repared parts



Long lifetime

- Components remanufactured to original OEM specifications
- Genuine parts used

Taylor-made solutions

- Close cooperation with customers to satisfy their needs and provide outstanding benefits

Eco-friendly

- Components are salvaged whenever possible
- Reduced waste

Reman product range

Your Komatsu machines operate in demanding applications. When a component needs an overhaul, a quick and cost effective solution is essential. The product range covers most of our construction and mining machines. Komatsu has more than 4000 Reman component units, ready to ship, to reduce downtime of your equipment. We offer special conditions should a Reman component not be in stock: a new component at the Reman price with the possibility to return the core for credit. Contact the Komatsu distributor in your territory and save up to 40% on the cost of a new component.

Reman product range

Component	Bulldozers	Dump trucks, rigid	Dump trucks, articulated	Excavators, crawler	Excavators, wheeled	Wheel loaders
Engine	D155-D475	HD325-HD985	HM400	PC800-PC2000		WA500-WA900
Engine long block	D31-D275	HD325-HD405	HM300-HM400	PC78-PC800	PW140-PW220	WA470-WA500
Transmission	D155-D475	HD325-HD985	HM400			WA500-WA900
Torque converter	D155-D475	HD325-HD985	HM400			WA500-WA900
Alternator	D37-D475	HD325-HD985	HM300-HM400	PC160-PC2000	PW140-PW220	WA200-WA900
Fuel pump	D37-D475	HD325-HD985	HM300-HM400	PC160-PC2000	PW140-PW220	WA200-WA900
Starter motor	D37-D475	HD325-HD985	HM300-HM400	PC160-PC2000	PW140-PW220	WA200-WA900
Turbocharger	D37-D475	HD325-HD985	HM300-HM400	PC160-PC2000	PW140-PW220	WA200-WA900
Hydr. cylinder, boom/arm/bucket				PC800-PC2000		
Hydr. cylinder, hoist/steering/suspension		HD465-HD1500				
Hydr. cylinder, dump/lift/steering						WA900-WA1200
Final drives	D375	HD785				WA800-WA900



Large Machines Support (LMS) program

The heart of the LMS Program is cooperation between Komatsu, distributors and customers on machine overhaul planning. The ultimate objective is to lower customers' Total Cost of Ownership through efficient planning, which allows use of Genuine parts and Reman components as well as higher core utilization and valuation.

Numerous benefits:

- No surprises or unnecessary down-time: machines are monitored and components are replaced before failure.
- Lowest prices: planning allows cost optimization of the Reman supply chain.
- Immediate availability: reserved inventory of planned components.
- Peace of mind: longer than normal warranty on Reman components.

Advantages of the LMS program

	Planned overhaul (LMS program)	Unplanned replacement	Rebuild or repair
Cost	Lowest in long-run	Higher than LMS program	Lowest initially but highest in long-run
Minimum machine downtime	●	○	○
Reserved stock of planned components	●	○	○
Products tested to OEM standards	●	●	○
Warranty (2-years/10000 hours) *	●	○	○

* Conditions apply

No written contract is required to join the LMS Program.
Contact your local Komatsu distributor to find out more!



Long blocks

Long blocks are factory-remanufactured and include all critical engineering upgrades meeting strict OEM standards. Quality is as good as new and backed by a great warranty. Already fully assembled, long blocks can be quickly installed and are a cost-effective solution.

Advantages over repairs:

- Lower downtime
- Less expensive over the long-term
- Much longer lifetime
- Safe and reliable solution

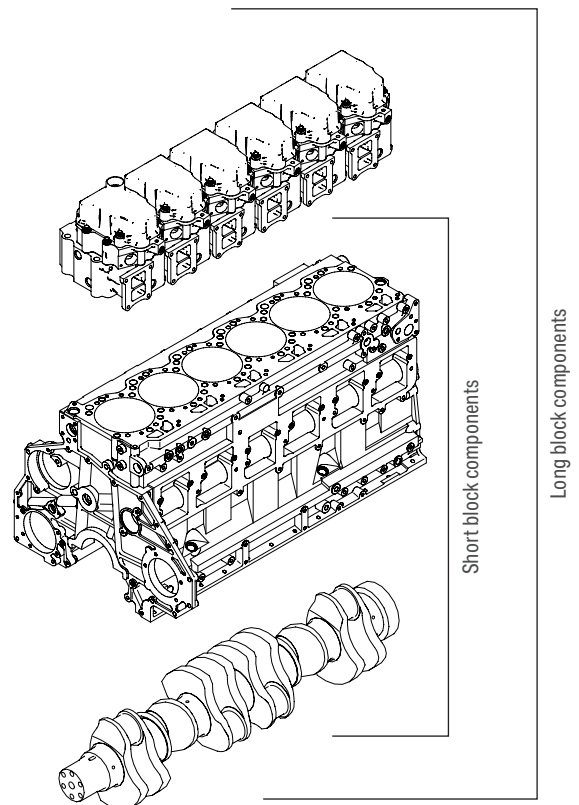
Product configuration

Main components are common to all Komatsu long blocks. However there can be slight differences depending on the engine type.

Component	Included
Cylinder head assembly	●
Intake & exhaust valve	●
Cylinder block	●
Front drive gears	●
Crankshaft	●
Pistons & connecting rods	●
Camshaft & camfollower assembly	●
Rocker arm assembly	●
Oil pump assembly	●
Front gear cover	● *
Oil cooler assembly	● *
Water pump assembly	● *
Injectors	● **

* except on 6D140 long blocks

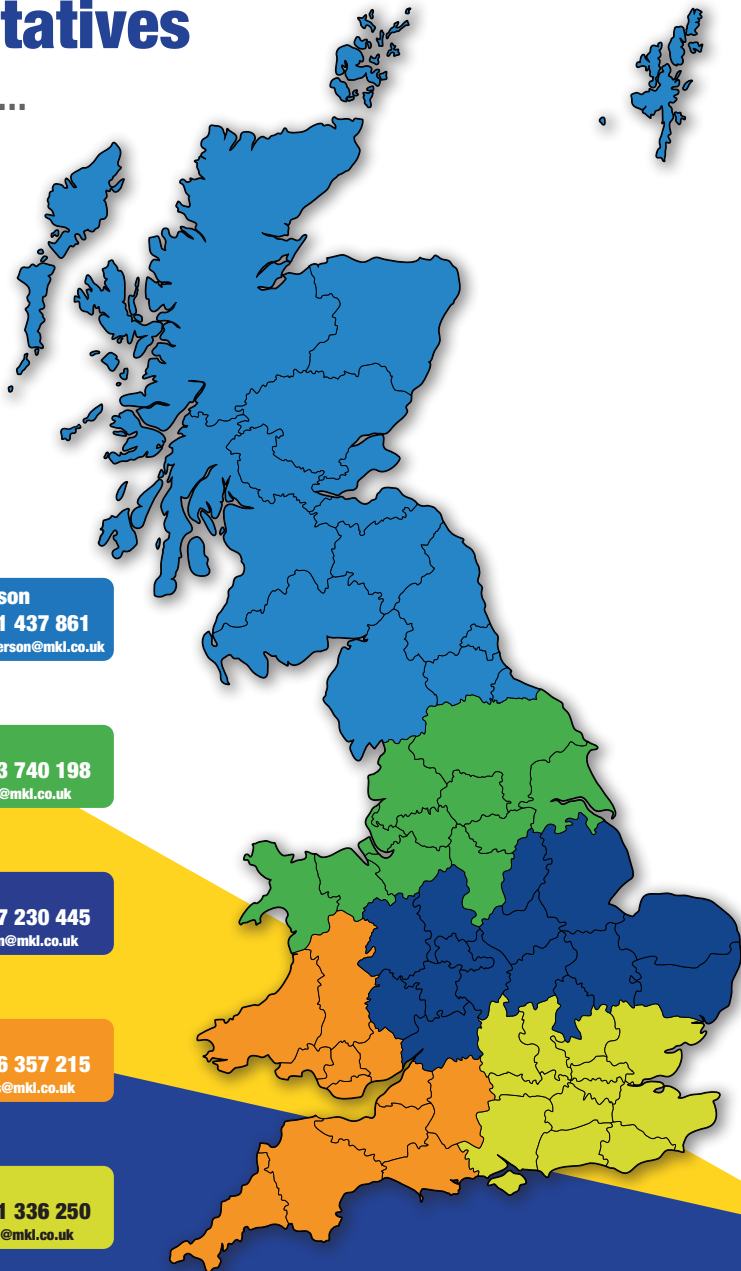
** only for electronic fuel systems





YOUR Product Support Sales Representatives

WE'RE HERE TO HELP...



Michael Paterson
Mobile: 07831 437 861
Email: michael.paterson@mkl.co.uk



Jason Carter
Mobile: 07733 740 198
Email: jason.carter@mkl.co.uk



Steve Deacon
Mobile: 07767 230 445
Email: steve.deacon@mkl.co.uk



Martin Jones
Mobile: 07836 357 215
Email: martin.jones@mkl.co.uk



Ben Poliquin
Mobile: 07881 336 250
Email: ben.poliquin@mkl.co.uk



www.marubeni-komatsu.co.uk

Marubeni

KOMATSU