

# KOMATSU

## **WB97S-8**

*EU Stage IV Engine*

**4 WHEEL STEERING BACKHOE LOADER**

**PRELIMINARY**



# WB97S

**ENGINE POWER**

75 kW / 101 HP @ 2.300 rpm

**OPERATING WEIGHT**

8.750 kg

**BUCKET CAPACITY**

1,1 m<sup>3</sup> (Standard bucket)

# Walk-Around

WB975-8





## Increased Efficiency and Environmental Performance

### **Powerful and Environmentally Friendly**

- NEW** • EU Stage IV engine
- Up to 3% lower fuel consumption (vs. WB97S-5)
- NEW** • Viscous fan clutch
- NEW** • New monitoring system with Eco gauge and Eco guidance
- NEW** • SpeedUp loader logic

### **First-Class Comfort**

- NEW** • Multi-function monitor with high resolution 7" LCD color display
- NEW** • Air-suspended operator seat (Standard)
- NEW** • New ergonomic switch layout for the operator console
- NEW** • Dial type fuel control and electric accelerator pedal
- NEW** • New styling, state-of-the-art Komatsu design
- NEW** • 4WS user friendly guidance system

### **Safety First**

- NEW** • Anti-burst valves for stabilizers, boom and arm (Standard)
- NEW** • Emergency engine stop switch
- NEW** • Seat belt caution indicator
- NEW** • Street mode function

### **Easy Maintenance**

- NEW** • Easy refilling from ground level for hydraulic oil, AdBlue® and fuel
- NEW** • Maintenance information displayed on the monitor

### **Total versatility**

- 3 steering modes: 2WS, 4WS, crab
- Hydraulic side shift available
- Flip over forks and pallet forks available
- Quick couplers for the front and rear buckets

### **KOMTRAX**

- Komatsu Wireless Monitoring System
- NEW** • 3G mobile communications
- NEW** • Increased operational data and fuel savings

## ENGINE

Model	Komatsu SAA4D99E-1
Type	Common rail direct injection, water-cooled, emissionised, turbocharged, after-cooled diesel
Engine power	
at rated engine speed	2.300 rpm
ISO 14396	75 kW / 101 HP
Displacement	3,4 l
Cooling fan	Viscous fan clutch

## ENVIRONMENT

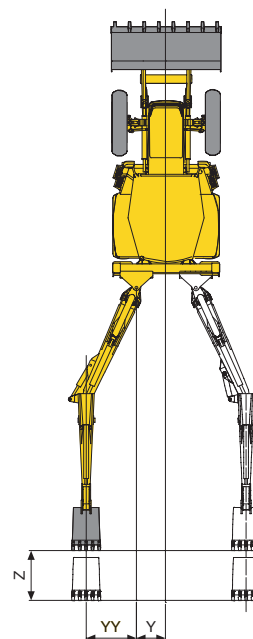
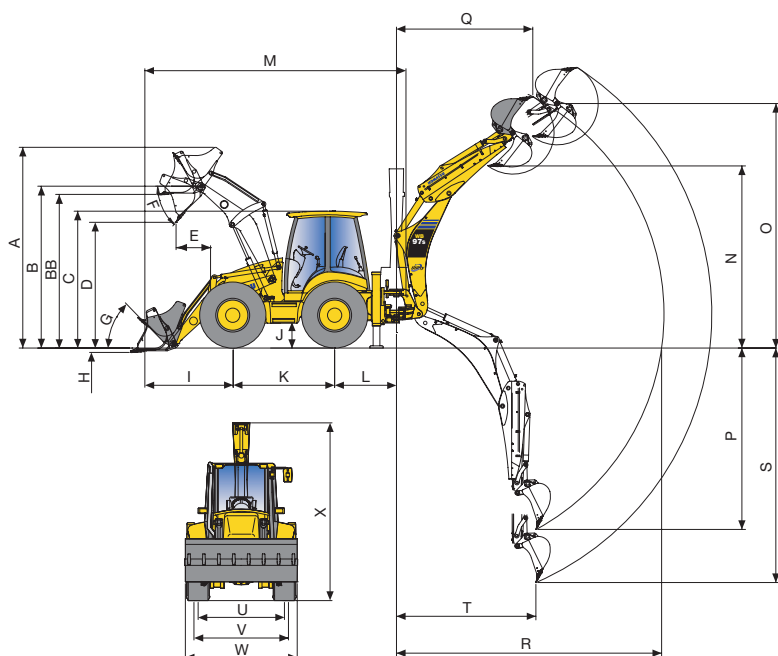
Engine emissions	Fully complies with EU Stage IV exhaust emission regulations
Noise levels	Noise levels (external/internal) fully comply with 2000/14/EC Stage 2 and 98/37/EC

## Hydraulic system

System	SynchroSystem with Speed-up function for loader arm
Type	CLSS. Closed-centre system with load sensing and pressure compensation valves
No. of working modes	2 (Power / Economy)
Hydraulic pump	Variable displacement axial pistons

## STEERING SYSTEM

System	4 wheel steering (3 modes) with electronic alignment
Turning radius (without using brakes)	
at bucket edge	4.770 mm
at corner of tyres	4.175 mm



A	max height	4.317 mm
B	pin height	3.530 mm
BB	forks loading max height	3.215 mm
C	cab height	3.070 mm
D	max dumping height	2.870 mm
E	max dumping reach (45°)	595 mm
F	dumping angle	40°
G	rollback angle	45°
H	digging depth	134 mm
I	bucket reach (in transport)	2.143 mm
J	ground clearance	448 mm
K	wheel base	2.215 mm
L	backhoe swing centre distance	1.325 mm
M	transport length	5.856 mm
N	dumping height SAE	4.050 mm
	max dumping height	4.450 mm
	- with extended telescopic SAE	4.950 mm
	- with extended telescopic max	5.180 mm

O	max digging height	6.100 mm
	- with extended telescopic	6.815 mm
P	digging depth SAE	4.410 mm
	- with extended telescopic	5.660 mm
Q	reach at max height	2.655 mm
	- with extended telescopic	4.060 mm
R	max reach from swing centre	6.040 mm
	- with extended telescopic	7.175 mm
S	max digging depth	5.050 mm
	- with telescopic	6.230 mm
T	digging reach	1.990 mm
U	rear tread	1.950 mm
V	front tread	1.950 mm
W	overall width (with bucket)	2.420 mm
X	transport hoe height	3.895 mm
	- with telescopic	4.000 mm
Y	side shift	605 mm
YY	side shift with off-set	1.080 mm
Z	telescopic stroke	1.240 mm