

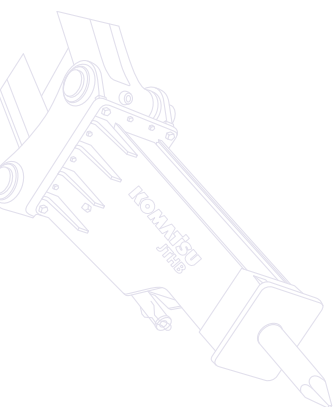
# KOMATSU

**JTHB**  
Series



Attachments

## Hydraulic Breakers



Hydraulic breakers from 90 to 4.550 kg  
For machine classes from 0,7 to 70 tonnes

# Walk-Around

Whether you're tearing out a reinforced concrete abutment, scaling a tunnel, or running a pedestal-boom at the quarry, Komatsu hydraulic breakers provide superior impact energy for exceptional performance in a variety of rock and concrete demolition applications. The high impact power of the JTHB Series breakers is delivered through a combination of hydraulic and nitrogen gas energy, with no need for an accumulator. This same nitrogen gas design provides recoil absorption to minimize shock to the system while storing energy for the next blow, for less machine stress and fatigue and a more enjoyable operator experience.

## High impact energy

A combination of 70% nitrogen gas and 30% hydraulic energy provides powerful impact for high-performance productivity.

## Simple design, longer life

With only 2 moving parts and a built-in dust prevention system, you get maximum uptime and reliability.

## Fewer parts

Up to 30% fewer parts than competition for reduced operating costs and less maintenance.

## Environmentally-friendly

Box brackets with noise-reduction design – minimally invasive in urban areas.

## Extensive tool range

For use in a large variety applications.

## Versatile with any carrier

Low sensitivity to back pressure means the Komatsu breaker can be used with virtually any carrier.

## Nitrogen gas cushion

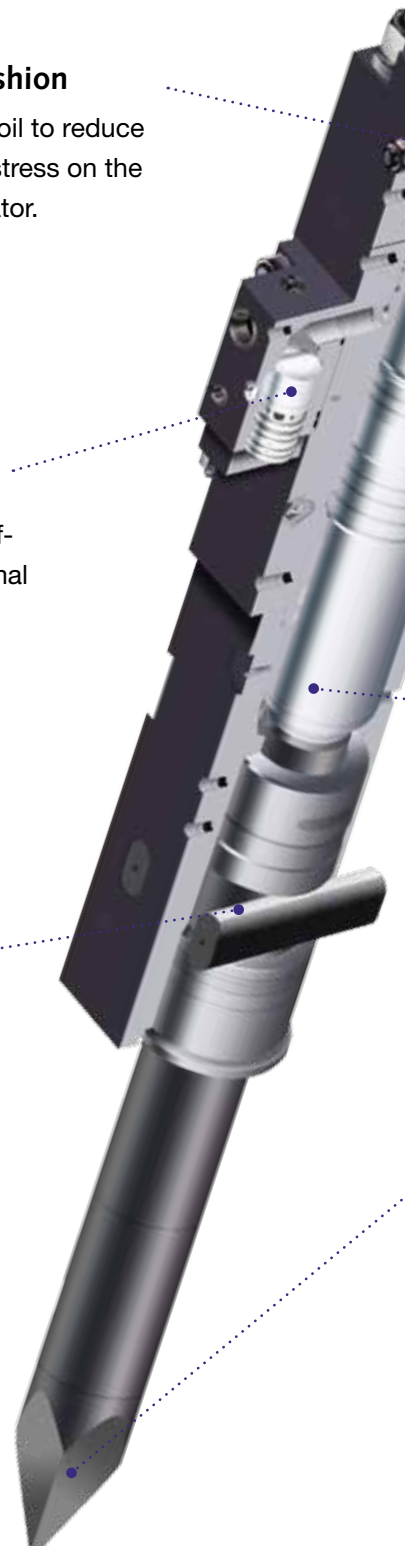
Absorbs piston recoil to reduce vibrations for less stress on the machine and operator.

## Simple control valve

Flow-through design for efficient control with a minimal hydraulic surge.

## Dual retainer pins

Ensures proper alignment and spreads wear, for a longer chisel and bushing life.



The simple yet efficient design of the superior “JTHB Series” hydraulic breakers includes up to 30-percent fewer parts than some other brands, for an increased life time and less maintenance. With only 2 moving parts and the “accumulator-free” technology, you’re guaranteed maximum reliability and lower operating costs.

**HYDRAULIC BREAKERS**  
from 90 to 4.550 kg  
**FOR MACHINE CLASSES**  
from 0,7 to 70 tonnes



### **Patented tie rod design**

Short, fully-enclosed tie rods with internal vibration dampeners and patented thread design resist standard wear and tear.

### **50/50 piston-to-chisel weight ratio**

With long stroke for greater energy transfer and less recoil.

### **Special hardened alloy points**

Increases durability in a wide range of applications.



### **Hydraulic cushioning**

Helps to prevent damage caused by inadvertently triggering a “blank” fire.

### **“Accumulator-free” technology**

Less maintenance, increased reliability and durability - and lower operating costs.

### **Underwater application port**

Standard on all breakers, for a quick and convenient pressurized air connection.

### **Auto-lube options**

Easily post-fitted, it eliminates time wasted on manual greasing and ensures correct and continuous lubrication.

# All 15 Models Line-up

## Mini range



## Medium range



MODEL		JTHB08-3	JTHB10-3	JTHB20-3	JTHB30-3	JTHB40-3
Operating weight	kg	90	120	165	255	320
Oil flow	l/min	18-25	20-30	20-35	25-45	30-55
Operating pressure	bar	60-130	70-140	80-150	100-150	100-160
Impact rate	bpm	930-1.300	700-1.200	600-1.150	550-1.000	580-1.060
Tool diameter	mm	40	45	50	58	64
Hose size	inch	3/8	1/2	1/2	1/2	1/2
Gas pressure	bar	8	8	8	8	8
Base machine weight range	ton	0,7-1,5	1-2	1,5-2,5	2,4-4	3-4,5



With a range of 15 breakers from 90 to 4.550 kg (for machines from 0,7 to 70 tonnes), you're guaranteed to find the right tool for the job.

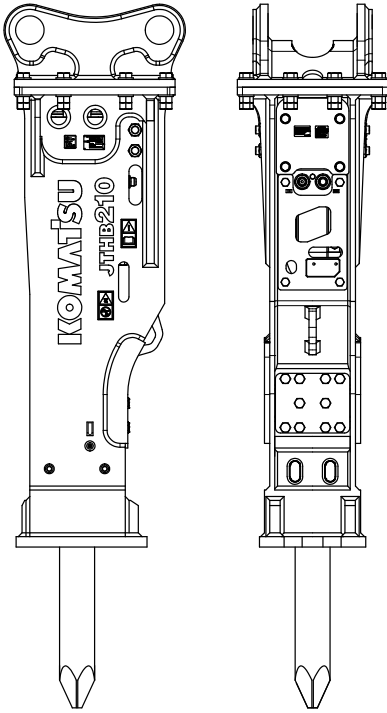


Large range



JTHB50-3 (JTHB50WB-3)	JTHB60-3	JTHB120-3	JTHB160-3	JTHB210-3	JTHB290-1	JTHB350-3	JTHB450-3	JTHB650-3
385 (295)	570	950	1.240	1.830	2.220	2.700	3.600	4.550
35-60	40-70	80-120	100-140	160-200	160-210	180-230	240-300	280-390
100-160	100-160	140-180	120-170	140-180	140-180	130-180	140-180	140-180
550-1.000	600-1.050	450-720	430-600	490-630	370-490	380-450	370-470	370-470
75	95	105	115	135	140	146	160	178
1/2	3/4	3/4	3/4	1	1	1	1-1/4	1-1/4
8	10	11	8	11	8	8	8	8
3,8-6	6-11	8-14	14-20	18-25	20-30	27-40	38-50	45-70

# Bracket Type



*New, reinforced standard bracket*







## Machine-breaker quick matching table

MODEL	JTHB08-3	JTHB10-3	JTHB20-3	JTHB30-3	JTHB40-3	JTHB50-3/ JTHBWB-3
Machine weight (tonnes)	0,7 - 1,5	1 - 2	1,5 - 2,5	2,4 - 4	3 - 4,5	3,8 - 6
Machine models	PC09-1 PC14R-3 PC16R-3	PC18MR-3	PC22MR-3 PC26MR-3 SK714-5 SK815-5 SK820-5	PC30MR-3 PC35MR-3	PC45MR-3	PC55MR-3 WB93R/S-5 WB97R/S-5

The above table is for quick reference only. Please contact your local distributor for a detailed matching table showing the best breaker for your exact machine specifications and breaker connection type.



# Tool Selection

TYPE	PURPOSE & APPLICATION	SHAPE
Moil point	General demolition - Penetration breaking e.g. concrete, rock bed, ...	
Flat	General demolition trough cutting action - Penetration breaking e.g. trenching and slope finishing	
Flat end	Demolition - Impact breaking e.g. secondary rock breaking, scaling in mines and tunnels, reinforced concrete floors, ...	
Power point	Demolition - Penetration breaking e.g. very hard and abrasive conditions	

Correct selection of tools is the first step to obtaining maximum life from the product. Extra-long and special-application tools are available on request.

JTHB60-3	JTHB120-3	JTHB160-3	JTHB210-3	JTHB290-1	JTHB350-3	JTHB450-3	JTHB650-3
6 - 11	8 - 14	14 - 20	18 - 25	20-30	27 - 40	38 - 50	45 - 70
PC80MR-3 PC88MR-8 PW98MR-8 PC118MR-8 PW118MR-8	PC138US-8 PW148-8	PC160-8 PC190-8 PW160-8 PW180-10 PW200-7 PW220-7	PC210-10 HB215LC-1 PC230NHD-8 PC228US-8 PC240-10 PC200 class	PC290-10	PC360-10 PC300 class	PC490-10 PC400 class	PC700-8 PC600 class



# Hydraulic Breakers

Komatsu – your one-stop shop for hydraulic breakers and accessories

---



### Auto grease system

An optional auto grease system eliminates the need for manual interventions. By greasing the breaker at fixed intervals and with an adjustable output, the system improves ease-of-use and extends the lifetime of your breaker and wear parts. Available on the JTHB120-3 and larger breakers, it is fully incorporated into the bracket and doesn't require an external power source.



### Underwater use

JTHB breakers can be quickly and easily adapted for underwater use through the optional underwater kit. Compressed air is supplied through the air port on the breaker's body (included as standard across the range), preventing water from entering the breaker.



### Other special application kits

A number of kits are available for special applications such as:

- Extreme-temperature environments (hot or cold)
- Extremely dusty environments
- Tunnel works

Contact your local distributor for more details.

---

Your Komatsu partner:

## KOMATSU

**Komatsu Europe  
International N.V.**

Mechelsesteenweg 586  
B-1800 VILVOORDE (BELGIUM)  
Tel. +32-2-255 24 11  
Fax +32-2-252 19 81  
[www.komatsu.eu](http://www.komatsu.eu)