

KOMATSU

MONO BOOM / STRAIGHT BOOM DEMOLITION EXCAVATORS

PC210LC-11

PC240LC/NLC-11

PC290LC/NLC-11

PC360LC/NLC-11

PC490LC-11

DEMOLITION EXCAVATORS



DEMOLITION EXCAVATORS

ENGINE POWER

123 kW (165 HP) - 270 kW (362 HP)

OPERATING WEIGHT

23.260 - 48.470 kg

ATTACHMENT WEIGHT

2.500 - 6.100 kg

Walk-Around

DEMOLITION EXCAVATORS



ENGINE POWER

123 kW (165 HP) - 270 kW (362 HP)

OPERATING WEIGHT

23.260 - 48.470 kg

ATTACHMENT WEIGHT

2.500 - 6.100 kg



EXCEPTIONAL DEMOLITION PERFORMANCE

Work equipment

- Mono boom options (PC210 - PC490)
- Straight boom options (PC240 - PC360)
- Variety of arm lengths
- Two additional hydraulic circuits, including factory installed attachment drain line

First-Class Comfort

- Pressurised cab
- Joysticks with proportional attachment control
- Tool Control option for precise attachment flow and pressure setting
- Fully air suspended operator console with heated, high back seat

Heavy duty protection

- Heavy duty undercovers and side guards
- Attachment cylinder guard (optional)
- Reinforced bucket linkage
- Boom lamp protection guard
- Full length track roller guards (optional)

Safety equipment

- Special Demolition Safety SpaceCab™ cab, fully complies with European Regulation EN474-1 Annex G
- ISO 10262 Level 2 certified FOPS with hinged front guard
- EN356 P5A high impact protection front and roof window glass
- Additional camera, right side mounted



Complimentary maintenance program for customers

Demolition Excavator Equipment



Komatsu mono and straight boom demolition excavators

Komatsu's factory-built demolition excavators ensure minimum downtime, even in the challenging environment of a demolition work site. With a huge range of standard safety equipment, these machines surpass current regulations and offer real peace of mind to today's demolition contractor. The strong factory-installed machine protection and hydraulic circuits provide top level durability and present a professional image to your clients. With an optional tool control system and attachment cylinder guard, it is simple to upgrade the machines to suit your preferences. All you need now is the demolition tool – consult your Komatsu distributor!



Extra heavy duty, wrap around type side protection (15 mm). Bolted to each side of the upper structure, offering protection from debris on the ground or side impact.



Heavy duty undercovers (9 mm) fully enclose the upper structure's underside for enhanced protection against debris on the ground.



Attachment cylinder guard (option), reinforced bucket linkage and details like heavy duty boom lamp protection guards round up the all-round protection.



Hinged front guard to allow easy access for windscreen cleaning. The Demolition Safety SpaceCab™ is ROPS compliant with ISO 12117-2:2008.



Carefully aligned grid layout ensures maximum visibility with correct protection. One piece front screen fitted with high impact protective glass.



High impact protective glass (compliant with EN356 grade P5A) is fitted to front and roof window. Roof window wash/wipe system is fitted as standard.



Joysticks with proportional control button for attachments.

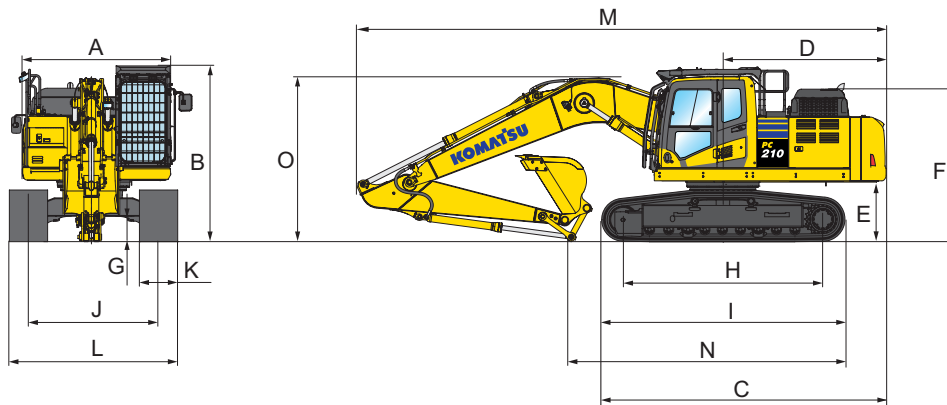


New (optional) tool control with up to 16 tool presets for oil flow and pressure ensures that tools are used to maximum effect.



Rear-view and side-view cameras giving you exceptionally clear views of the zone around the machine on the high resolution widescreen monitor panel.

PC210LC-11



MACHINE DIMENSIONS

PC210LC-11

| | | |
|---|--|-------------|
| A | Overall width of upper structure | 2.735 mm |
| | Overall width of upper structure (excluding side guards) | 2.705 mm |
| B | Overall height of cab | 3.260 mm |
| | Overall height of cab (excluding OPG) | 3.045 mm |
| C | Overall length of basic machine | 5.215 mm |
| D | Tail length | 2.990 mm |
| | Tail swing radius | 3.020 mm |
| E | Clearance under counterweight | 1.085 mm |
| F | Machine tail height (top of engine cover) | 2.765 mm |
| G | Ground clearance | 440 mm |
| H | Tumbler centre distance | 3.655 mm |
| I | Track length | 4.450 mm |
| J | Track gauge | 2.380 mm |
| K | Track shoe width | 600, 700 mm |
| L | Overall track width with 600 mm shoes | 2.980 mm |
| | Overall track width with 700 mm shoes | 3.080 mm |

TRANSPORT DIMENSIONS

MONO BOOM

| | | |
|---|---------------------------------|----------|
| | Arm length | 2,9 m |
| M | Transport length | 9.705 mm |
| N | Length on ground (transport) | 4.810 mm |
| O | Overall height (to top of boom) | 3.135 mm |

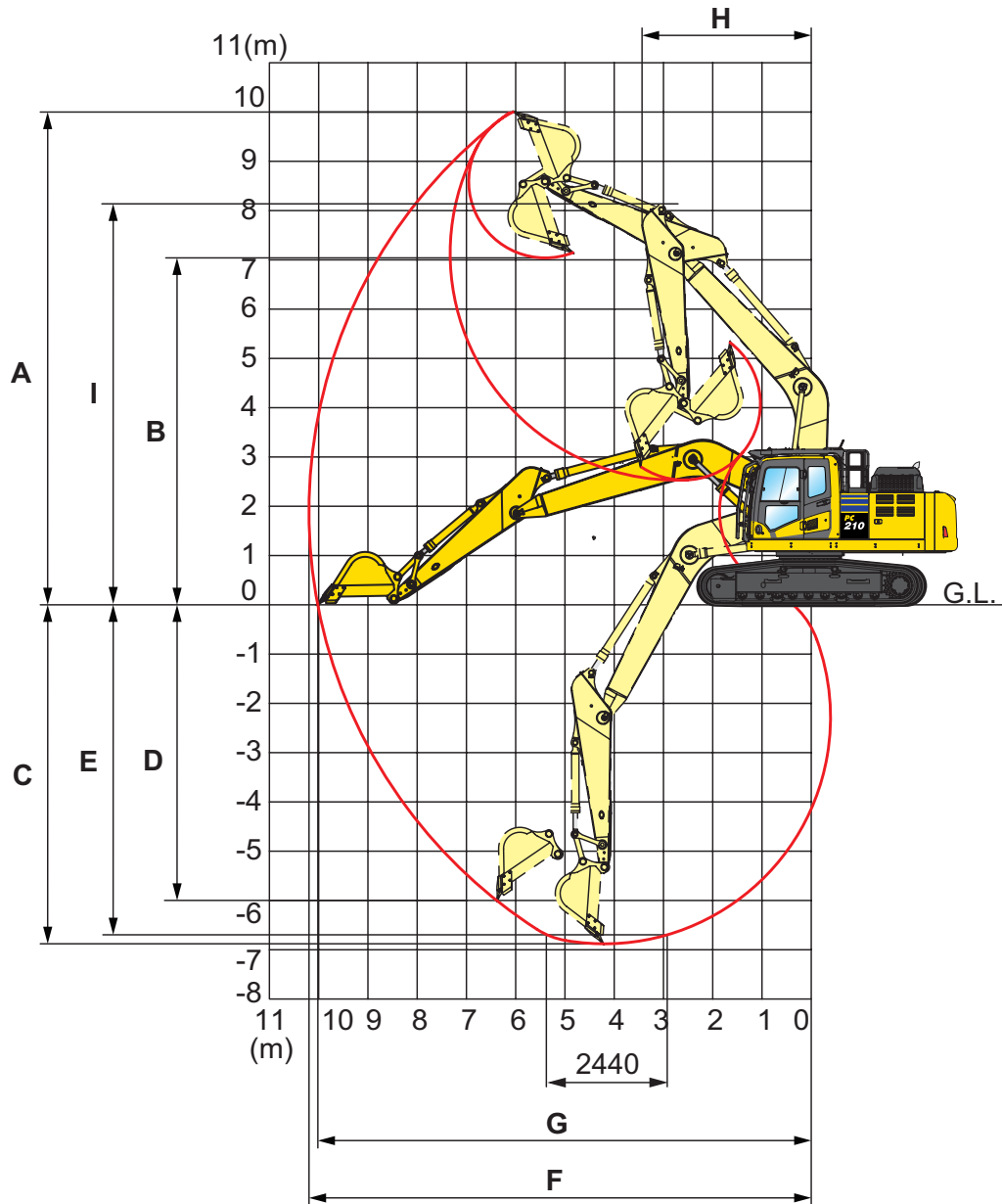
OPERATING WEIGHT (APPR.)

| Triple grouser shoes | Operating weight | Ground pressure |
|----------------------|------------------|-------------------------|
| 600 mm | 23.260 kg | 0,49 kg/cm ² |
| 700 mm | 23.530 kg | 0,42 kg/cm ² |

Operating weight, including specified work equipment, 2,9 m arm, 760 kg bucket, operator, lubricant, coolant, full fuel tank.

Mono Boom Demolition

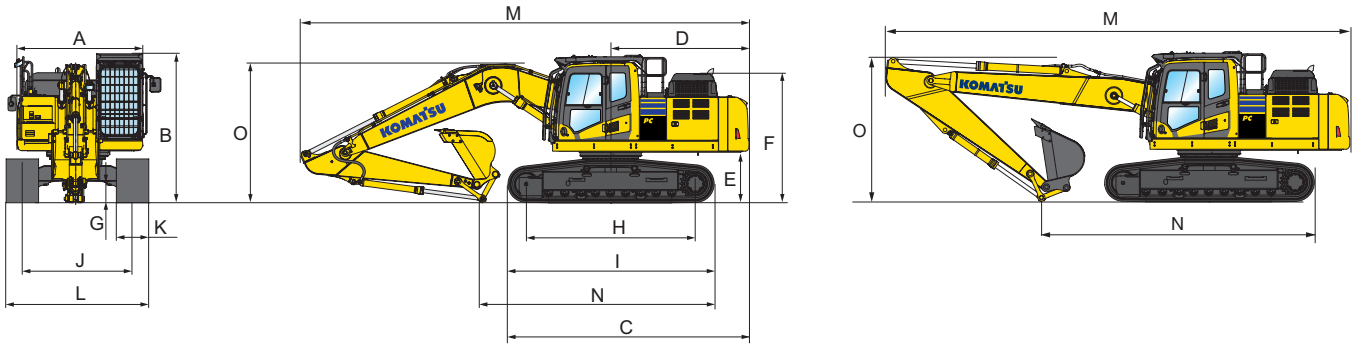
WORKING RANGE



| ARM LENGTH | 2,9 m |
|--|-----------|
| A Max. digging height | 10.000 mm |
| B Max. dumping height | 7.110 mm |
| C Max. digging depth | 6.620 mm |
| D Max. vertical wall digging depth | 5.980 mm |
| E Max. digging depth of cut for 2,44 m level | 6.370 mm |
| F Max. digging reach | 9.875 mm |
| G Max. digging reach at ground level | 9.700 mm |
| H Min. swing radius | 3.040 mm |
| I Max. height at min. swing radius | 8.005 mm |
| Maximum recommended weight at arm end (LC)* | 2.500 kg |

* Includes allowance of 500 kg for material retained in attachment jaws. Weight assumed to be applied at arm end pin. Attachment manufacturer is responsible for recommending suitable attachment based on published machine performance data.

PC240LC/NLC-11



MACHINE DIMENSIONS

| | MONO BOOM | | STRAIGHT BOOM | |
|--|-------------|-------------|---------------|-------------|
| | PC240LC-11 | PC240NLC-11 | PC240LC-11 | PC240NLC-11 |
| A Overall width of upper structure | 2.735 mm | 2.735 mm | 2.735 mm | 2.735 mm |
| Overall width of upper structure (excluding side guards) | 2.705 mm | 2.705 mm | 2.705 mm | 2.705 mm |
| B Overall height of cab | 3.265 mm | 3.265 mm | 3.265 mm | 3.265 mm |
| Overall height of cab (excluding OPG) | 3.055 mm | 3.055 mm | 3.055 mm | 3.055 mm |
| C Overall length of basic machine | 5.305 mm | 5.210 mm | 5.305 mm | 5.210 mm |
| D Tail length | 2.985 mm | 2.985 mm | 2.985 mm | 2.985 mm |
| Tail swing radius | 3.020 mm | 3.020 mm | 3.020 mm | 3.020 mm |
| E Clearance under counterweight | 1.100 mm | 1.100 mm | 1.100 mm | 1.100 mm |
| F Machine tail height (top of engine cover) | 2.780 mm | 2.780 mm | 2.780 mm | 2.780 mm |
| G Ground clearance | 440 mm | 440 mm | 440 mm | 440 mm |
| H Tumbler centre distance | 3.845 mm | 3.655 mm | 3.845 mm | 3.655 mm |
| I Track length | 4.640 mm | 4.450 mm | 4.640 mm | 4.450 mm |
| J Track gauge | 2.580 mm | 2.380 mm | 2.580 mm | 2.380 mm |
| K Track shoe width | 600, 700 mm | 600, 700 mm | 600, 700 mm | 600, 700 mm |
| L Overall track width with 600 mm shoe | 3.180 mm | 2.980 mm | 3.180 mm | 2.980 mm |
| Overall track width with 700 mm shoe | 3.280 mm | 3.080 mm | 3.280 mm | 3.080 mm |

TRANSPORT DIMENSIONS

| | MONO BOOM | | STRAIGHT BOOM | |
|---|------------|-------------|---------------|-------------|
| | PC240LC-11 | PC240NLC-11 | PC240LC-11 | PC240NLC-11 |
| Arm length | 2,5 m | 3,0 m | 2,5 m | 3,0 m |
| M Transport length | 10.040 mm | 9.965 mm | 10.650 mm | 10.615 mm |
| N Length on ground (transport) PC240LC-11 | 6.115 mm | 5.390 mm | 7.525 mm | 6.880 mm |
| Length on ground (transport) PC240NLC-11 | 6.020 mm | 5.260 mm | 7.430 mm | 6.785 mm |
| O Overall height (to top of boom) | 3.295 mm | 3.185 mm | 3.220 mm | 3.320 mm |

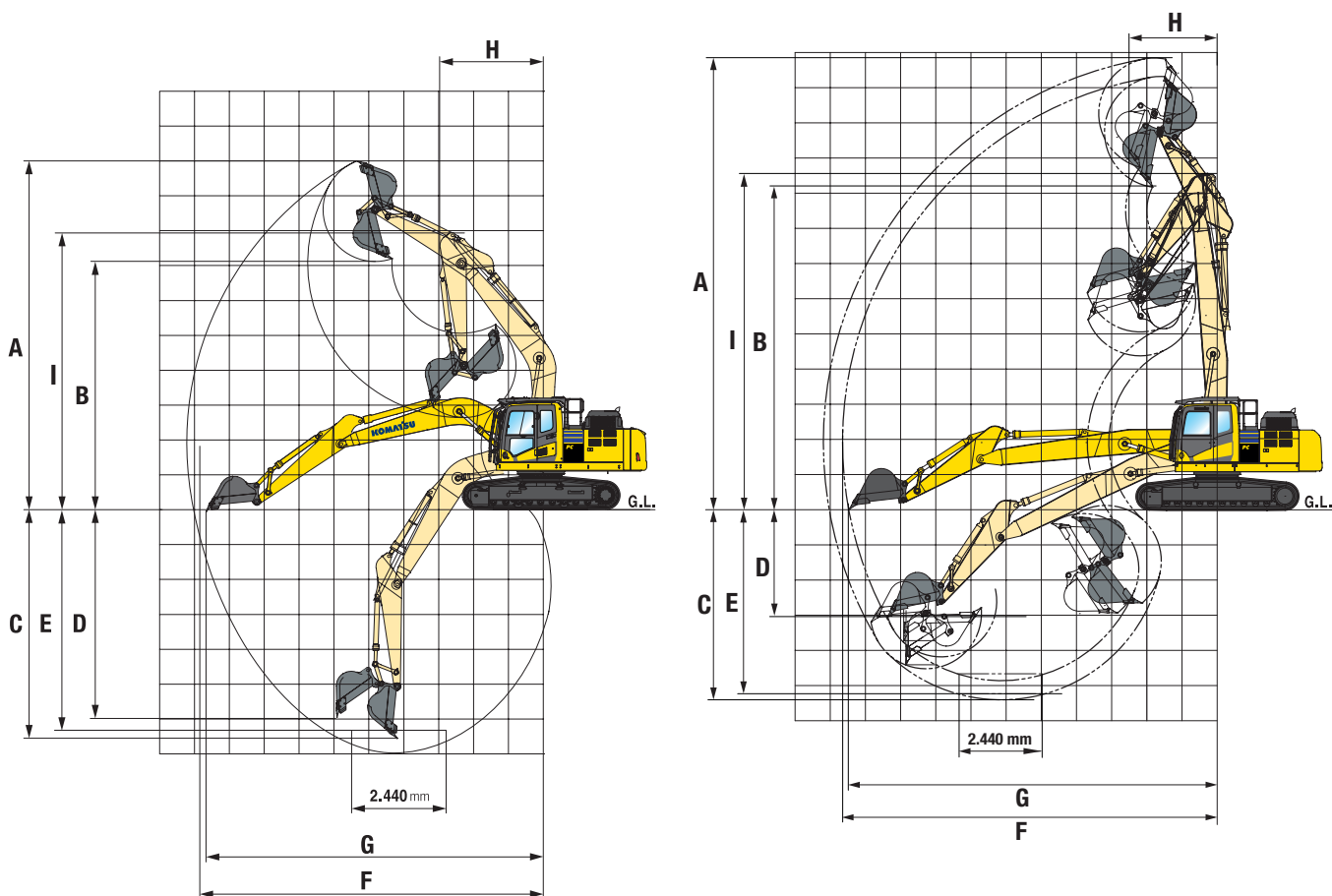
OPERATING WEIGHT (APPR.)

| PC240LC-11 | MONO BOOM | | STRAIGHT BOOM | |
|----------------------|------------------|-------------------------|------------------|-------------------------|
| | Operating weight | Ground pressure | Operating weight | Ground pressure |
| Triple grouser shoes | | | | |
| 600 mm | 25.930 kg | 0,52 kg/cm ² | 26.140 kg | 0,52 kg/cm ² |
| 700 mm | 26.230 kg | 0,45 kg/cm ² | 26.440 kg | 0,45 kg/cm ² |
| PC240NLC-11 | MONO BOOM | | STRAIGHT BOOM | |
| | Operating weight | Ground pressure | Operating weight | Ground pressure |
| Triple grouser shoes | | | | |
| 600 mm | 25.330 kg | 0,53 kg/cm ² | 25.540 kg | 0,53 kg/cm ² |
| 700 mm | 25.630 kg | 0,46 kg/cm ² | 25.840 kg | 0,46 kg/cm ² |

Operating weight, including specified work equipment, 3,0 m arm, 1.070 kg bucket, operator, lubricant, coolant, full fuel tank.

Mono Boom / Straight Boom Demolition

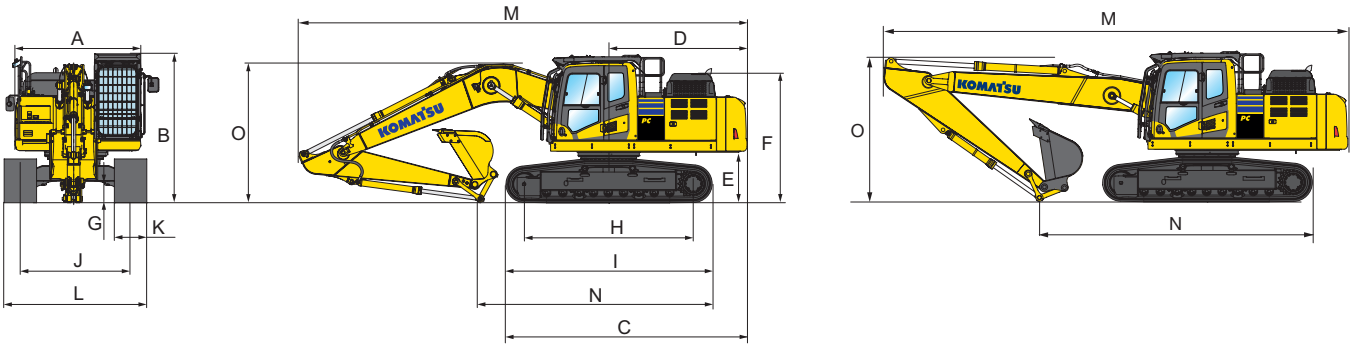
WORKING RANGE



| PC240LC/NLC-11 | MONO BOOM | | STRAIGHT BOOM | |
|--|-----------|-----------|---------------|-----------|
| | 2,5 m | 3,0 m | 2,5 m | 3,0 m |
| Arm length | 2,5 m | 3,0 m | 2,5 m | 3,0 m |
| A Max. digging height | 9.790 mm | 10.000 mm | 12.320 mm | 12.840 mm |
| B Max. dumping height | 6.860 mm | 7.035 mm | 9.170 mm | 9.740 mm |
| C Max. digging depth | 6.320 mm | 6.920 mm | 4.860 mm | 5.400 mm |
| D Max. vertical wall digging depth | 5.130 mm | 6.010 mm | 3.720 mm | 4.410 mm |
| E Max. digging depth of cut for 2,44 m level | 6.100 mm | 6.700 mm | 4.665 mm | 5.230 mm |
| F Max. digging reach | 9.480 mm | 10.180 mm | 10.650 mm | 11.190 mm |
| G Max. digging reach at ground level | 9.670 mm | 10.020 mm | 10.470 mm | 11.030 mm |
| H Min. swing radius | 3.320 mm | 3.450 mm | 2.520 mm | 2.545 mm |
| I Max. height at min. swing radius | 8.160 mm | 8.110 mm | 9.570 mm | 9.530 mm |
| Maximum recommended weight at arm end (NLC)* | 2.900 kg | 2.600 kg | 2.100 kg | 1.900 kg |
| Maximum recommended weight at arm end (LC)* | 3.300 kg | 3.000 kg | 2.500 kg | 2.300 kg |

* Includes allowance of 500 kg for material retained in attachment jaws. Weight assumed to be applied at arm end pin. Attachment manufacturer is responsible for recommending suitable attachment based on published machine performance data.

PC290LC/NLC-11



MACHINE DIMENSIONS

| | MONO BOOM | | STRAIGHT BOOM | |
|--|-------------|-------------|---------------|-------------|
| | PC290LC-11 | PC290NLC-11 | PC290LC-11 | PC290NLC-11 |
| A Overall width of upper structure | 2.750 mm | 2.750 mm | 2.750 mm | 2.750 mm |
| Overall width of upper structure (excluding side guards) | 2.705 mm | 2.705 mm | 2.705 mm | 2.705 mm |
| B Overall height of cab | 3.395 mm | 3.395 mm | 3.395 mm | 3.395 mm |
| Overall height of cab (excluding OPG) | 3.180 mm | 3.180 mm | 3.180 mm | 3.180 mm |
| C Overall length of basic machine | 5.465 mm | 5.465 mm | 5.465 mm | 5.465 mm |
| D Tail length | 2.985 mm | 2.985 mm | 2.985 mm | 2.985 mm |
| Tail swing radius | 3.020 mm | 3.020 mm | 3.020 mm | 3.020 mm |
| E Clearance under counterweight | 1.215 mm | 1.215 mm | 1.215 mm | 1.215 mm |
| F Machine tail height (top of engine cover) | 2.895 mm | 2.895 mm | 2.895 mm | 2.895 mm |
| G Ground clearance | 495 mm | 495 mm | 495 mm | 495 mm |
| H Tumbler centre distance | 4.030 mm | 4.030 mm | 4.030 mm | 4.030 mm |
| I Track length | 4.955 mm | 4.955 mm | 4.955 mm | 4.955 mm |
| J Track gauge | 2.590 mm | 2.390 mm | 2.590 mm | 2.390 mm |
| K Track shoe width | 600, 700 mm | 600, 700 mm | 600, 700 mm | 600, 700 mm |
| L Overall track width with 600 mm shoe | 3.190 mm | 2.990 mm | 3.190 mm | 2.990 mm |
| Overall track width with 700 mm shoe | 3.290 mm | 3.090 mm | 3.290 mm | 3.090 mm |

TRANSPORT DIMENSIONS

| | MONO BOOM | | | STRAIGHT BOOM | | |
|---|-----------|-----------|-----------|---------------|-----------|-----------|
| | 2,65 m | 3,2 m | 3,5 m | 2,65 m | 3,2 m | 3,5 m |
| M Transport length | 10.320 mm | 10.265 mm | 10.275 mm | 10.620 mm | 10.580 mm | 10.545 mm |
| N Length on ground (transport) PC290LC-11 | 6.425 mm | 5.625 mm | 5.350 mm | 7.240 mm | 6.550 mm | 6.445 mm |
| Length on ground (transport) PC290NLC-11 | 6.425 mm | 5.625 mm | 5.350 mm | 7.240 mm | 6.550 mm | 6.445 mm |
| O Overall height (to top of boom) | 3.425 mm | 3.340 mm | 3.375 mm | 2.990 mm | 3.025 mm | 3.325 mm |

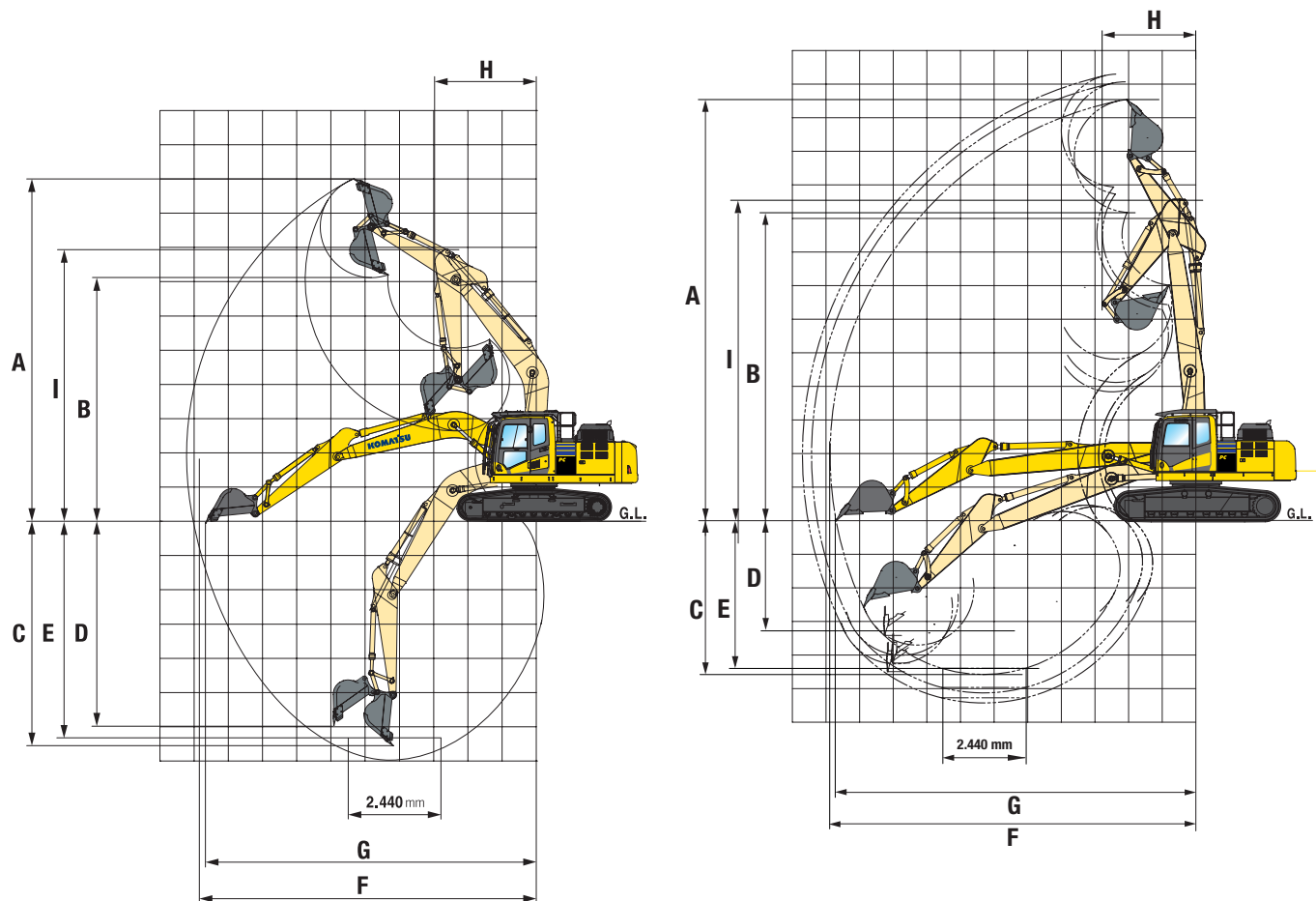
OPERATING WEIGHT (APPR.)

| PC290LC-11 | MONO BOOM | | STRAIGHT BOOM | |
|----------------------|------------------|-------------------------|------------------|-------------------------|
| | Operating weight | Ground pressure | Operating weight | Ground pressure |
| Triple grouser shoes | | | | |
| 600 mm | 30.480 kg | 0,58 kg/cm ² | 30.620 kg | 0,58 kg/cm ² |
| 700 mm | 30.880 kg | 0,50 kg/cm ² | 31.020 kg | 0,50 kg/cm ² |
| PC290NLC-11 | MONO BOOM | | STRAIGHT BOOM | |
| | Operating weight | Ground pressure | Operating weight | Ground pressure |
| Triple grouser shoes | | | | |
| 600 mm | 30.380 kg | 0,58 kg/cm ² | 30.520 kg | 0,58 kg/cm ² |
| 700 mm | 30.780 kg | 0,50 kg/cm ² | 30.920 kg | 0,50 kg/cm ² |

Operating weight, including specified work equipment, 3,2 m arm, 1.300 kg bucket, operator, lubricant, coolant, full fuel tank.

Mono Boom / Straight Boom Demolition

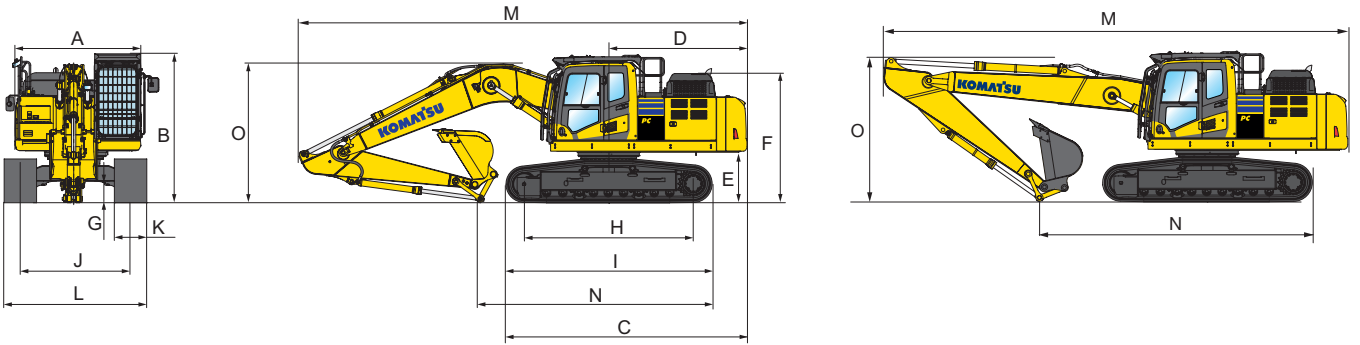
WORKING RANGE



| PC290LC/NLC-11 | MONO BOOM | | | STRAIGHT BOOM | | | |
|----------------|--|-----------|-----------|---------------|-----------|-----------|-----------|
| | Arm length | 2,65 m | 3,2 m | 3,5 m | 2,5 m | 3,2 m | 3,5 m |
| A | Max. digging height | 9.985 mm | 10.345 mm | 10.355 mm | 12.500 mm | 13.000 mm | 13.300 mm |
| B | Max. dumping height | 7.040 mm | 7.370 mm | 7.435 mm | 9.180 mm | 9.725 mm | 9.940 mm |
| C | Max. digging depth | 6.360 mm | 6.915 mm | 7.220 mm | 4.580 mm | 5.130 mm | 5.425 mm |
| D | Max. vertical wall digging depth | 5.365 mm | 6.135 mm | 5.110 mm | 3.420 mm | 4.240 mm | 4.495 mm |
| E | Max. digging depth of cut for 2,44 m level | 6.175 mm | 6.755 mm | 7.070 mm | 4.395 mm | 4.965 mm | 5.275 mm |
| F | Max. digging reach | 10.095 mm | 10.635 mm | 10.890 mm | 10.880 mm | 11.430 mm | 11.700 mm |
| G | Max. digging reach at ground level | 9.905 mm | 10.455 mm | 10.715 mm | 10.700 mm | 11.260 mm | 11.530 mm |
| H | Min. swing radius | 3.740 mm | 3.680 mm | 3.740 mm | 2.790 mm | 2.770 mm | 2.870 mm |
| I | Max. height at min. swing radius | 8.500 mm | 8.420 mm | 8.410 mm | 9.590 mm | 9.550 mm | 9.560 mm |
| | Maximum recommended weight at arm end (NLC)* | 3.400 kg | 3.100 kg | 3.000 kg | 2.800 kg | 2.600 kg | 2.400 kg |
| | Maximum recommended weight at arm end (LC)* | 3.800 kg | 3.500 kg | 3.300 kg | 3.200 kg | 2.900 kg | 2.800 kg |

* Includes allowance of 500 kg for material retained in attachment jaws. Weight assumed to be applied at arm end pin. Attachment manufacturer is responsible for recommending suitable attachment based on published machine performance data.

PC360LC/NLC-11



MACHINE DIMENSIONS

| | MONO BOOM | | STRAIGHT BOOM | |
|--|-------------|-------------|---------------|-------------|
| | PC360LC-11 | PC360NLC-11 | PC360LC-11 | PC360NLC-11 |
| A Overall width of upper structure | 3.025 mm | 3.025 mm | 3.025 mm | 3.025 mm |
| Overall width of upper structure (excluding side guards) | 2.995 mm | 2.995 mm | 2.995 mm | 2.995 mm |
| B Overall height of cab | 3.365 mm | 3.365 mm | 3.365 mm | 3.365 mm |
| Overall height of cab (excluding OPG) | 3.160 mm | 3.160 mm | 3.160 mm | 3.160 mm |
| C Overall length of basic machine | 5.885 mm | 5.885 mm | 5.885 mm | 5.885 mm |
| D Tail length | 3.405 mm | 3.405 mm | 3.405 mm | 3.405 mm |
| Tail swing radius | 3.445 mm | 3.445 mm | 3.445 mm | 3.445 mm |
| E Clearance under counterweight | 1.185 mm | 1.185 mm | 1.185 mm | 1.185 mm |
| F Machine tail height (top of engine cover) | 2.920 mm | 2.920 mm | 2.920 mm | 2.920 mm |
| G Ground clearance | 500 mm | 500 mm | 500 mm | 500 mm |
| H Tumbler centre distance | 4.030 mm | 4.030 mm | 4.030 mm | 4.030 mm |
| I Track length | 4.955 mm | 4.955 mm | 4.955 mm | 4.955 mm |
| J Track gauge | 2.590 mm | 2.390 mm | 2.590 mm | 2.390 mm |
| K Track shoe width | 600, 700 mm | 600, 700 mm | 600, 700 mm | 600, 700 mm |
| L Overall track width with 600 mm shoe | 3.190 mm | 2.990 mm | 3.190 mm | 2.990 mm |
| Overall track width with 700 mm shoe | 3.290 mm | 3.090 mm | 3.290 mm | 3.090 mm |

TRANSPORT DIMENSIONS

| | MONO BOOM | | STRAIGHT BOOM | |
|---|------------|-------------|---------------|-------------|
| | PC360LC-11 | PC360NLC-11 | PC360LC-11 | PC360NLC-11 |
| Arm length | 2,6 m | 3,2 m | 2,6 m | 3,2 m |
| M Transport length | 11.180 mm | 11.145 mm | 11.425 mm | 11.320 mm |
| N Length on ground (transport) PC360LC-11 | 6.760 mm | 5.935 mm | 7.965 mm | 7.045 mm |
| Length on ground (transport) PC360NLC-11 | 6.760 mm | 5.935 mm | 7.965 mm | 7.045 mm |
| O Overall height (to top of boom) | 3.425 mm | 3.340 mm | 2.885 mm | 3.095 mm |

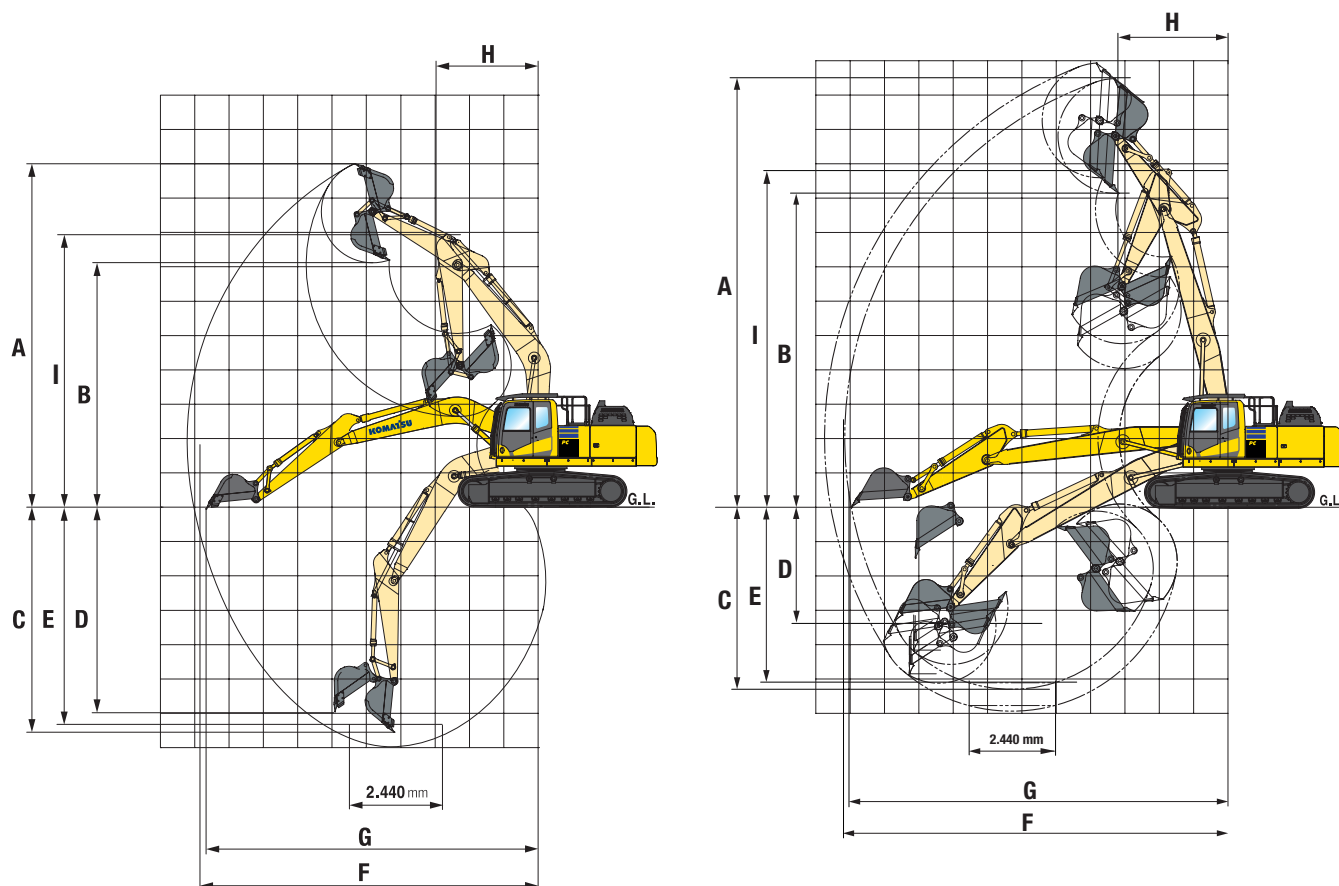
OPERATING WEIGHT (APPR.)

| PC360LC-11 | MONO BOOM | | STRAIGHT BOOM | |
|----------------------|------------------|-------------------------|------------------|-------------------------|
| | Operating weight | Ground pressure | Operating weight | Ground pressure |
| Triple grouser shoes | | | | |
| 600 mm | 36.660 kg | 0,69 kg/cm ² | 36.720 kg | 0,69 kg/cm ² |
| 700 mm | 37.040 kg | 0,60 kg/cm ² | 37.100 kg | 0,60 kg/cm ² |
| PC360NLC-11 | MONO BOOM | | STRAIGHT BOOM | |
| | Operating weight | Ground pressure | Operating weight | Ground pressure |
| Triple grouser shoes | | | | |
| 600 mm | 36.560 kg | 0,69 kg/cm ² | 36.620 kg | 0,69 kg/cm ² |
| 700 mm | 36.940 kg | 0,60 kg/cm ² | 37.000 kg | 0,60 kg/cm ² |

Operating weight, including specified work equipment, 3,2 m arm, 1.650 kg bucket, operator, lubricant, coolant, full fuel tank.

Mono Boom / Straight Boom Demolition

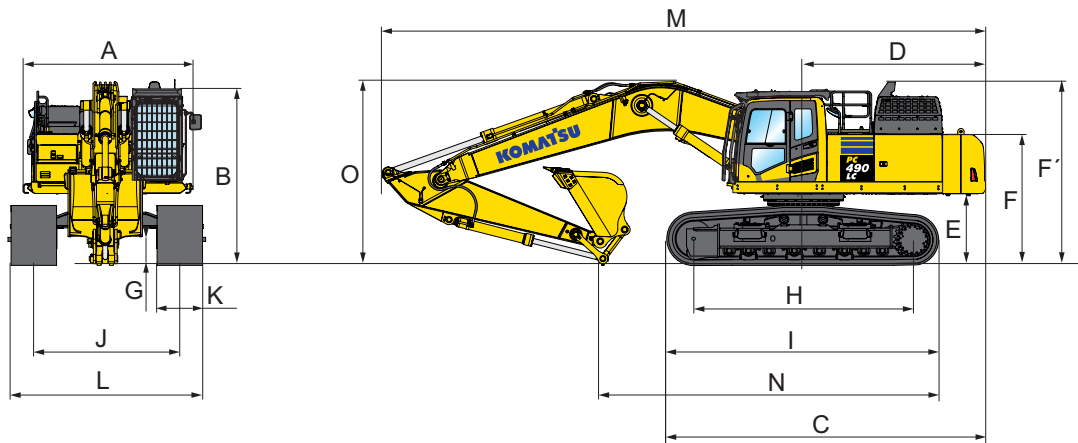
WORKING RANGE



| PC360LC/NLC-11 | MONO BOOM | | STRAIGHT BOOM | |
|--|-----------|-----------|---------------|-----------|
| Arm length | 2,6 m | 3,2 m | 2,6 m | 3,2 m |
| A Max. digging height | 9.965 mm | 10.210 mm | 12.470 mm | 12.930 mm |
| B Max. dumping height | 6.895 mm | 7.110 mm | 9.140 mm | 9.600 mm |
| C Max. digging depth | 6.705 mm | 7.380 mm | 5.300 mm | 5.940 mm |
| D Max. vertical wall digging depth | 5.880 mm | 6.480 mm | 4.160 mm | 4.850 mm |
| E Max. digging depth of cut for 2,44 m level | 6.520 mm | 7.180 mm | 5.110 mm | 5.770 mm |
| F Max. digging reach | 10.550 mm | 11.100 mm | 11.150 mm | 11.740 mm |
| G Max. digging reach at ground level | 10.355 mm | 10.920 mm | 10.970 mm | 11.560 mm |
| H Min. swing radius | 4.400 mm | 4.310 mm | 3.600 mm | 3.550 mm |
| I Max. height at min. swing radius | 8.570 mm | 8.520 mm | 9.845 mm | 9.825 mm |
| Maximum recommended weight at arm end (NLC)* | 3.900 kg | 3.500 kg | 3.300 kg | 2.900 kg |
| Maximum recommended weight at arm end (LC)* | 4.400 kg | 3.900 kg | 3.800 kg | 3.300 kg |

* Includes allowance of 800 kg for material retained in attachment jaws. Weight assumed to be applied at arm end pin. Attachment manufacturer is responsible for recommending suitable attachment based on published machine performance data.

PC490LC-11



MACHINE DIMENSIONS

PC490LC-11

| | | |
|---|--|---------------------|
| A | Overall width of upper structure | 3.025 mm |
| | Overall width of upper structure (excluding side guards) | 2.995 mm |
| B | Overall height of cab | 3.520 mm |
| | Overall height of cab (excluding OPG) | 3.360 mm |
| C | Overall length of basic machine | 6.300 mm |
| D | Tail length | 3.605 mm |
| | Tail swing radius | 3.645 mm |
| E | Clearance under counterweight | 1.385 mm |
| F | Machine tail height (top of engine cover) | 3.305 mm |
| G | Ground clearance | 700 mm |
| H | Tumbler centre distance | 4.350 mm |
| I | Track length | 5.385 mm |
| J | Track gauge (working) | 2.890 mm |
| K | Track shoe width | 600, 700 mm |
| L | Overall track width with 600 mm shoes | 3.490 mm - 2.990 mm |
| | Overall track width with 700 mm shoes | 3.590 mm - 3.090 mm |

TRANSPORT DIMENSIONS

MONO BOOM

| | | | |
|---|---------------------------------|-----------|-----------|
| | Arm length | 2,9 m | 3,4 m |
| M | Transport length | 12.000 mm | 11.930 mm |
| N | Length on ground (transport) | 7.620 mm | 6.875 mm |
| O | Overall height (to top of boom) | 3.670 mm | 3.635 mm |

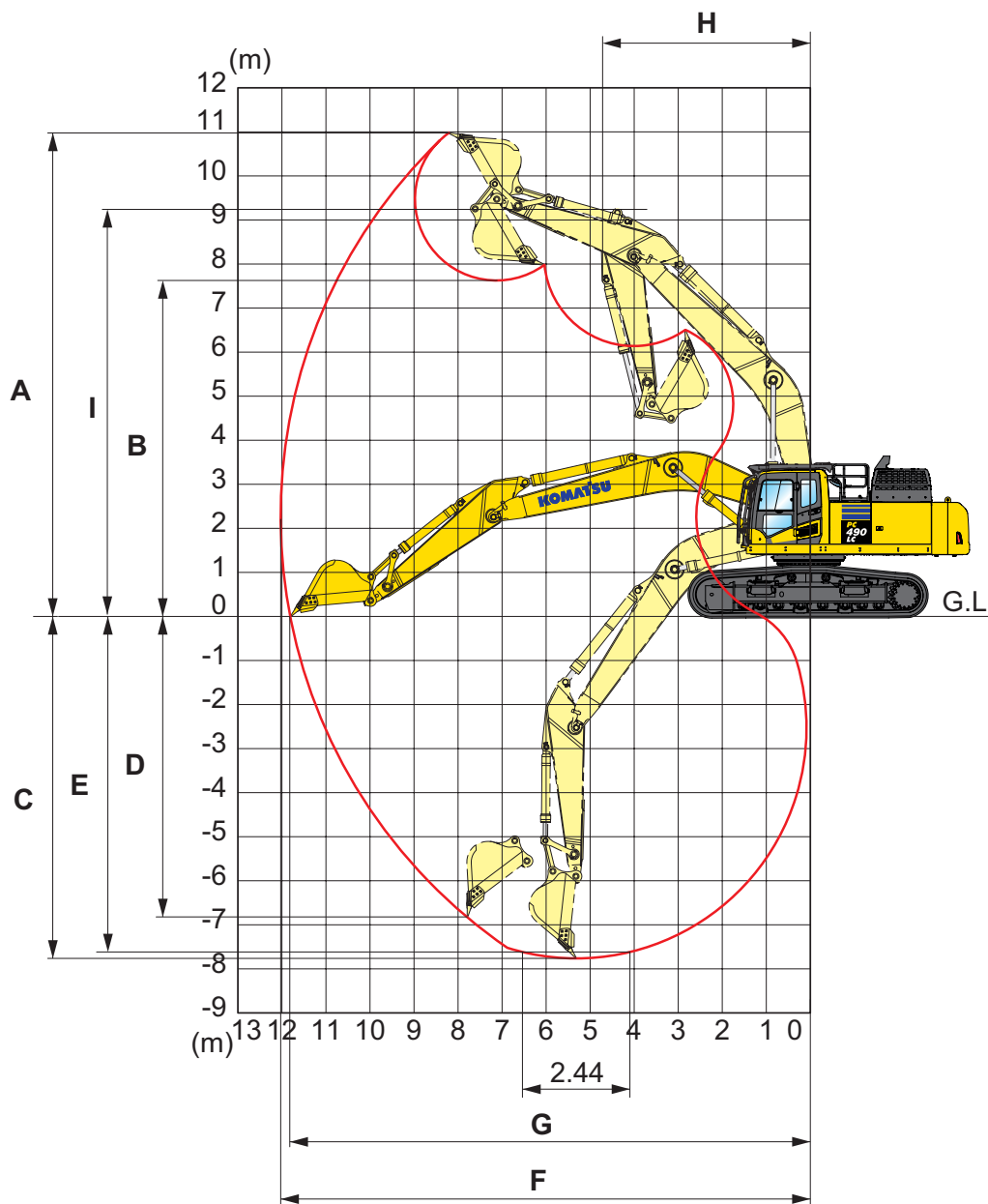
OPERATING WEIGHT (APPR.)

| Triple grouser shoes | Operating weight | Ground pressure |
|----------------------|------------------|-------------------------|
| 600 mm | 47.965 kg | 0,84 kg/cm ² |
| 700 mm | 48.465 kg | 0,73 kg/cm ² |

Operating weight, including specified work equipment, 3,4 m arm, 1.950 kg bucket, operator, lubricant, coolant, full fuel tank.

Mono Boom Demolition

WORKING RANGE



| ARM LENGTH | 2,9 m | 3,4 m |
|--|-----------|-----------|
| A Max. digging height | 10.350 mm | 10.980 mm |
| B Max. dumping height | 7.145 mm | 7.630 mm |
| C Max. digging depth | 7.280 mm | 7.755 mm |
| D Max. vertical wall digging depth | 5.635 mm | 6.805 mm |
| E Max. digging depth of cut for 2,44 m level | 7.090 mm | 7.615 mm |
| F Max. digging reach | 11.445 mm | 12.030 mm |
| G Max. digging reach at ground level | 11.215 mm | 11.810 mm |
| H Min. swing radius | 4.810 mm | 4.735 mm |
| I Max. height at min. swing radius | 8.553 mm | 9.824 mm |
| Maximum recommended weight at arm end (LC)* | 6.100 kg | 5.600 kg |

* Includes allowance of 1.300 kg for material retained in attachment jaws. Weight assumed to be applied at arm end pin. Attachment manufacturer is responsible for recommending suitable attachment based on published machine performance data.

Standard and Optional Equipment

ENGINE

| | |
|---|---|
| Komatsu turbocharged common rail direct injection diesel engine | ● |
| EU Stage IV compliant | ● |
| Suction type cooling fan with radiator fly screen (PC490 fitted with reversible type fan) | ● |
| Automatic engine warm-up system | ● |
| Engine overheat prevention system | ● |
| Fuel control dial | ● |
| Auto-deceleration function | ● |
| Adjustable idle shutdown | ● |
| Engine key stop | ● |
| Engine ignition can be password secured on request | ● |

HYDRAULIC SYSTEM

| | |
|--|---|
| Electronic closed-centre load sensing (E-CLSS) hydraulic system (HydrauMind) | ● |
| Pump and engine mutual control (PEMC) system | ● |
| 6-working mode selection system; power mode, economy mode, breaker mode, attachment power and attachment economy mode, and lifting mode | ● |
| PowerMax function | ● |
| Adjustable PPC wrist control levers for arm, boom, bucket and swing, with sliding proportional control for attachments and 3 auxiliary buttons | ● |
| Prepared for hydraulic quick-coupler | ● |
| Additional hydraulic functions | ● |
| Attachment drain line | ● |
| Tool control | ○ |

UNDERCARRIAGE

| | |
|---------------------------------|---|
| Track roller guards | ● |
| Track frame under-guards | ● |
| Triple grouser shoes | ● |
| Full length track roller guards | ○ |

DRIVES AND BRAKES

| | |
|---|---|
| Hydrostatic, 3-speed travel system with automatic shift and planetary gear type final drives, and hydraulic travel and parking brakes | ● |
| PPC control levers and pedals for steering and travel | ● |

CABIN

| | |
|--|---|
| Demolition specification Safety SpaceCab™, with Komatsu high visibility ISO 10262 level 2 FOPS guards. Fixed, one piece front window. Front and roof window fitted with high impact protective laminated glass, compliant with EN356 Grade P5A, in accordance with EN474 Part 1; Annex G | ● |
| Heated, high-back air-suspended seat with lumbar support, console mounted height adjustable arm rests, and retractable seat belt | ● |
| Automatic climate control system | ● |
| 12/24 Volt power supplies | ● |
| Beverage holder and magazine rack | ● |
| Hot and cool box | ● |
| Radio | ● |
| Auxiliary input (MP3 jack) | ● |
| Roof window wiper/wash system | ● |
| Lower wiper | ○ |

SERVICE AND MAINTENANCE

| | |
|--|---|
| Automatic fuel line de-aeration | ● |
| Double element type air cleaner with dust indicator and auto dust evacuator | ● |
| KOMTRAX™ – Komatsu wireless monitoring system (3G) | ● |
| Komatsu CARE™ – complimentary maintenance program for customers | ● |
| Multifunction video compatible colour monitor with Equipment Management and Monitoring System (EMMS) and efficiency guidance | ● |
| Toolkit | ● |
| Service points | ○ |

WORK EQUIPMENT

| | |
|-------------------------------|---|
| Reinforced bucket linkage | ● |
| Mono boom | ○ |
| Straight boom (PC240/290/360) | ○ |
| Bucket cylinder guard | ○ |
| Komatsu buckets | ○ |
| Komatsu breakers | ○ |

SAFETY EQUIPMENT

| | |
|--|---|
| Compliant with EN474-1 Demolition Annex G | ● |
| Rear-view camera system | ● |
| Electric horn | ● |
| Overload warning device | ● |
| Audible travel alarm | ● |
| Boom safety valves | ● |
| Arm safety valve | ● |
| Large handrails, rear-view mirrors | ● |
| Battery main switch | ● |
| ROPS compliant to ISO 12117-2:2008 | ● |
| Emergency engine stop switch | ● |
| Seat belt caution indicator | ● |
| Neutral position detection system | ● |
| OPG Level II front guard (FOPS), hinged type | ● |
| OPG Level II top guard (FOPS) | ● |
| Additional camera, right side mounted | ● |

LIGHTING SYSTEM

| | |
|---|---|
| Working lights: 2 revolving frame, 1 boom (l.h.) with heavy duty protective guards | ● |
| Additional working lights: 4 cab roof (front), 1 cab roof (rear), 1 boom (r.h.), 1 counterweight (rear), beacon | ○ |

OTHER EQUIPMENT

| | |
|---|---|
| Standard counterweight | ● |
| Remote greasing for swing circle and pins | ● |
| Electric refuelling pump with automatic shut-off function | ● |
| Heavy duty side impact protection | ● |
| Heavy duty protection underside of upperstructure | ● |
| Biodegradable oil for hydraulic system | ○ |
| Customised paint | ○ |

Further equipment on request

- standard equipment
- optional equipment

Your Komatsu partner:

KOMATSU

**Komatsu Europe
International N.V.**

Mechelsesteenweg 586
B-1800 VILVOORDE (BELGIUM)
Tel. +32-2-255 24 11
Fax +32-2-252 19 81
www.komatsu.eu

UENSS18300 01/2017

KOMATSU is a trademark of Komatsu Ltd. Japan.