

KOMATSU

WA320-8

EU Stage IV Engine

WHEEL LOADER



WA320

ENGINE POWER

127 kW / 170 HP @ 2.100 rpm

OPERATING WEIGHT

15.700 - 16.225 kg

BUCKET CAPACITY

2,6 - 3,2 m³

Walk-Around

WA320-8



ENGINE POWER

127 kW / 170 HP @ 2.100 rpm

OPERATING WEIGHT

15.700 - 16.225 kg

BUCKET CAPACITY

2,6 - 3,2 m³



INCREASED FUEL EFFICIENCY AND ENVIRONMENTAL PERFORMANCE

Powerful and Environmentally Friendly

- EU Stage IV engine
- Komatsu SmartLoader Logic
- Highly efficient hydrostatic drive line
- High efficiency buckets
- Adjustable idle shutdown

Responsive Hydrostatic Drive Line (HST)

- Instant response for fast loading cycles
- Easy control in confined areas
- Advanced traction control system for best traction and minimized tyre wear (K-TCS)
- Top speed selection for increased safety

First-Class Comfort

- New, air-suspended operator seat
- Large multifunctional monitor
- Low-noise design
- Rear-view camera system
- Komatsu short lever steering (K-SLS) (option)

PZ-Linkage

- Combines advantages of Z-bar linkage with parallel lift
- Fast pallet handling
- Excellent break-out force and easy bucket fill
- High tilt forces give perfect control of heavy attachments
- New loader boom (option)

Easy Maintenance

- Wide-core radiator with auto reverse fan
- Factory fitted automatic lubrication system
- Improved gull-wing type engine doors

KOMTRAX™

- Komatsu Wireless Monitoring System
- 3G mobile communications
- Integrated communication antenna
- Increased operational data and fuel savings



A maintenance program
for Komatsu customers

Powerful and Environmentally Friendly



Highly efficient hydrostatic drive line

The electronically controlled variable pump and 2-motor system allow highly efficient and powerful operation. At low speeds both motors are engaged to provide highest torque. Bucket filling and scooping are easy, as maximum rim pull is provided from zero travel speed. At high speeds, a clutch cuts off the low speed motor to eliminate drag and achieve excellent fuel efficiency.

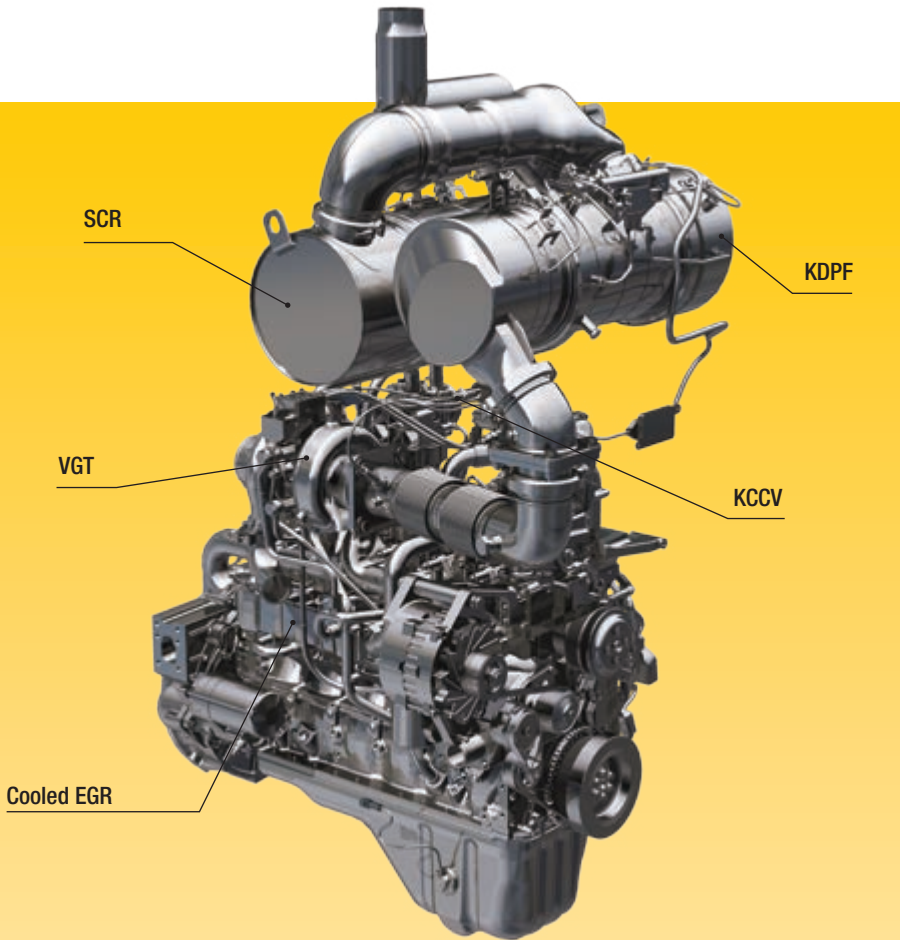
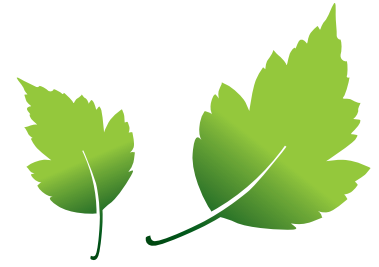
Komatsu SmartLoader Logic

The WA320-8 provides Komatsu SmartLoader Logic, a fully automatic engine control system. Without interfering with normal operations, this technology acquires data from various sensors in the vehicle and delivers optimal engine torque for each work phase. It limits torque during less demanding operations and reduces fuel usage without decreasing production.

More fuel-saving technology

The WA320-8's Eco-gauge displays active recommendations on the cab's monitor to help you maximise those fuel savings. For added fuel economy, and to prevent wasted hydraulic flow when working or steering, the hydraulic system's new variable piston pump delivers the exact amount of oil required for all machine movements.

WA320-8



Komatsu EU Stage IV

The Komatsu EU Stage IV engine is productive, dependable and efficient. With ultra-low emissions, it provides a lower environmental impact and a superior performance to help reduce operating costs and lets the operator work in complete peace of mind.

Heavy-duty aftertreatment

The aftertreatment system combines a Komatsu Diesel Particulate Filter (KDPF) and Selective Catalytic Reduction (SCR). The SCR injects the correct amount of AdBlue® into the system at the proper rate to break down NOx into water (H₂O) and non-toxic nitrogen gas (N₂). NOx emissions are reduced by 80% vs. EU Stage IIIB engines.

Exhaust Gas Recirculation (EGR)

Cooled EGR is a technology well-proven in current Komatsu engines. The increased capacity of the EGR cooler now ensures very low NOx emissions and a better engine performance.

Komatsu Closed Crankcase Ventilation (KCCV)

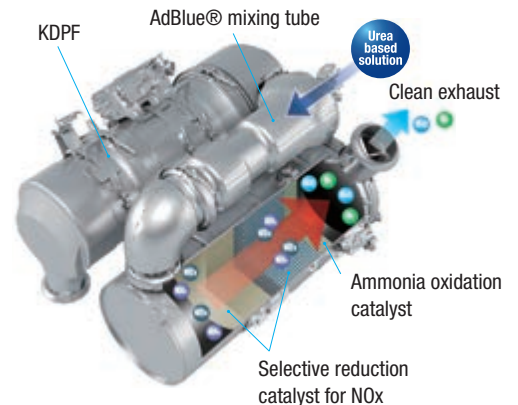
Crankcase emissions (blow-by gas) are passed through a CCV filter. The oil mist trapped in the filter is returned back to the crankcase while the filtered gas is returned to the air intake.

High-Pressure Common Rail (HPCR)

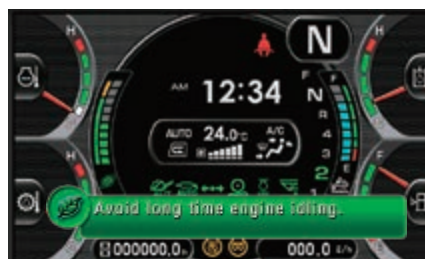
To achieve complete fuel burn and lower exhaust emissions, the heavy-duty High-Pressure Common Rail fuel injection system is computer controlled to deliver a precise quantity of pressurised fuel into the redesigned engine combustion chamber by multiple injections.

Variable Geometry Turbo (VGT)

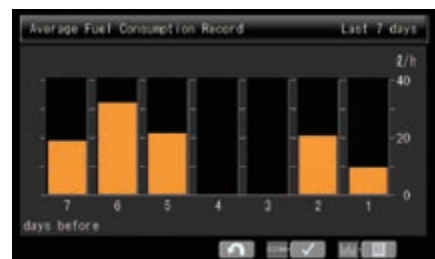
The VGT provides optimal airflow to the engine combustion chamber under all speed and load conditions. Exhaust gas is cleaner, fuel economy is improved while machine power and performance are maintained.



Adjustable idle shutdown automatically turns off the engine after it idles for a set period of time



Eco-gauge and an Eco guidance with active recommendations help maximising fuel savings



Fuel consumption history

Multipurpose PZ-Linkage

One machine for all applications

The PZ = “parallel Z-bar” has the added advantage of parallel lift for pallet moving and high tilt forces to handle large attachments. The PZ-linkage turns your WA320-8 into a true multipurpose machine ready to take on any job.

Parallel lift for fast pallet handling

With the parallel lift PZ-linkage, pallet moving becomes easy. The parallelism has been optimized for safe work over the entire lifting range. The excellent visibility of the front attachment allows an easy pick-up of pallets and precise work when loading onto trucks.

Controlled work with heavy attachments

With the PZ-linkage design, tilting forces reach an optimal level, especially at maximum boom height. This is essential for controlling large attachments such as high dump buckets or other oversized buckets. The WA320-8 is the ideal choice when working with heavy attachments.

Best in class dumping height

The long lifting frame allows the best in class dumping height of 2,84 m with a straight tipping load of 11,5 tonnes (with 2,9 m³ earthmoving bucket, measured to the cutting edge). With this working range, loading high feeders or trucks becomes easy and fast.

Easy bucket fill

The superior break-out force of the WA320-8 turns loading into a child’s play, even for an untrained operator. More experienced workers will also appreciate this feature, particularly when working with high density material such as heavy soil or aggregate.



Loader boom option

The optional loader boom has been designed to grant better visibility at loading operations.



WA320-8



Responsive Hydrostatic Drive Line (HST)

Instant response for fast loading cycles

The Komatsu HST drive line features exceptional responsiveness that results in quick acceleration and fast forward/reverse changes. The drive line reacts to the operator's command without any time lag and instantly provides torque at the wheels. This allows for fast loading cycles and higher productivity.

Advanced traction control system (K-TCS)

The Komatsu Traction Control System (K-TCS) controls the HST pump, motor and engine to optimize traction automatically depending on work conditions. The provided rim pull can be set to 6 different levels to prevent spinning wheels on any ground conditions, even when operating on snow (S-mode). Constant traction increases productivity and reduces tyre wear and cost.

Easy control in confined areas

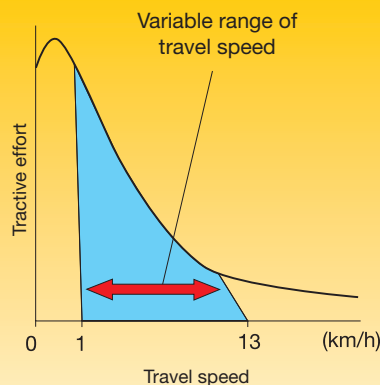
The self braking effect of the HST drive line slows down the machine when the accelerator pedal is released. Uncontrolled rolling is prevented, and safety is greatly improved, especially when working in confined spaces or inside industrial buildings. In addition, brake wear is practically eliminated.

Top speed selection for increased safety

The variable shift control allows setting the top speed for improved safety and precision. The top speed can be adjusted to the working conditions: max speed for fast travelling between jobsites, reduced speed to increase the safety when working on jobsites with high traffic or for working in confined spaces. In position 1, the speed can be continuously adjusted between 1 and 13 km/h with the fine control. This allows constant low driving speeds that are perfectly adjusted to applications such as lawn mowing or milling jobs.



Variable shift control dial with new creeping speed range (left) and variable traction control system switch (right)





First-Class Comfort

New, fully air-suspended operator seat

The wide spacious cab features a new, fully air-suspended operator seat with a high back, fully adjustable, standard heated seat for improved comfort. A seat ventilation is optionally available to maximise comfort.

PPC multi-function lever

The PPC multi-function lever with electronic control for 3rd spool (EPC) is standard. It includes a forward-neutral-reverse switch for quick and easy travel. Third spool attachments can be set to continuous or proportional control via the monitor panel, to let the operator control the boom, bucket and attachment with a single lever.

Improved operator convenience

With increased in-cab storage space, an auxiliary input (MP3 jack) and 12 V and 24 V power supply, the cab offers maximum convenience. The automatic air conditioner allows the operator to easily and precisely set the cab's atmosphere.

Rear view camera

A standard fitment camera gives an exceptionally clear view of the rear work zone on the wide-screen colour monitor panel. The low profile camera is adjustable and integrated into the engine hood's shape.

Komatsu short lever steering (K-SLS) (option)

The new finger-type joystick steering allows more accurate steering by the operator who can now sit relaxed in the new air-suspended and fully adjustable seat to control the machine with no big effort needed for frequent steering. Less fatigue and work in a perfectly adapted operating position will improve concentration and the quality and efficiency of the work.



Auxiliary input (MP3 jack)



Hot and cool box



Komatsu short lever steering (K-SLS) (option)



PPC multi-function lever



WA320-8



Information & Communication Technology



Lower operating costs

Komatsu ICT contributes to the reduction of operating costs by assisting to comfortably and efficiently manage operations. It raises the level of customer satisfaction and the competitive edge of our products.

Large TFT colour monitor

A large user-friendly colour monitor enables safe, accurate and smooth work. Multilingual and with all essential information available at a glance, it features simple and easy-to-operate switches and multifunction keys that provide fingertip access to a wide range of functions and operating information.

Eco guidance

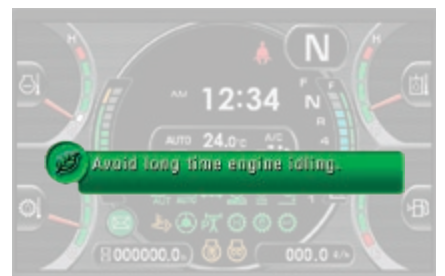
The monitor panel displays instant guidance messages to help promote energy saving, and the Eco-gauge indicates the actual fuel consumption: keep the Eco-gauge in the green zone for better fuel efficiency. To further improve savings, logs can be consulted for operations, Eco guidance and fuel consumption. The information is available in KOMTRAX™ and can be used for operator trainings and jobsite optimisation.



Information at a glance: basic dashboard LCD monitor



A multifunction monitor displays and controls a wealth of operational and maintenance information



Eco guidance supports energy saving in real time (e.g. avoid long time engine idling)

KOMTRAX™

The way to higher productivity

KOMTRAX™ uses the latest wireless monitoring technology. Compatible on PC, smartphone or tablet, it delivers insightful and cost saving information about your fleet and equipment, and offers a wealth of information to facilitate peak machine performance. By creating a tightly integrated web of support it allows proactive and preventive maintenance and helps to efficiently run a business.



Knowledge

You get quick answers to basic and critical questions about your machines – what they're doing, when they did it, where they're located, how they can be used more efficiently and when they need to be serviced. Performance data is relayed by wireless communication technology (satellite, GPRS or 3G depending on model) from the machine to a computer and to the local Komatsu distributor – who's readily available for expert analysis and feedback.

Power

The detailed information that KOMTRAX™ puts at your fingertips 24 hours a day, 7 days a week gives the power to make better daily and long-term strategic decisions – at no extra cost. Problems can be anticipated, maintenance schedules customised, downtime minimised and machines kept where they belong: working on the jobsite.

Convenience

KOMTRAX™ enables convenient fleet management on the web, wherever you are. Data is analysed and packaged specifically for effortless and intuitive viewing in maps, lists, graphs and charts. You can foresee eventual maintenance issues and required spare parts, and troubleshoot a problem before Komatsu technicians arrive on site.



Easy Maintenance



Easy access to service points

For easy and safe opening the gull-wing doors are supported by gas springs. The large doors give a convenient access from ground level to all daily service points. With long service intervals and filters collected in a centralised arrangement, machine downtime is reduced to a minimum.



Wide-core radiator with auto reverse fan

A wide-core radiator prevents clogging even when working in a dusty environment. To minimize manual cleaning, a reversible fan blows dust out, automatically or on demand. The “automatic reverse” function allows to set the cleaning length and the time between cleaning to adjust perfectly to the working conditions.



AdBlue® tank

The AdBlue® tank is located on the right hand side of the machine behind a ladder for easy access.

Diesel particulate filter regeneration

No interruption or extension of daily work is required to regenerate the diesel particulate filter system. Due to its superior Komatsu technology, KDPF regeneration takes place automatically, at any time.

Komatsu CARE™

Komatsu CARE™ is a maintenance program that comes as standard with your new Komatsu machine. It covers factory-scheduled maintenance, performed with Komatsu Genuine parts by Komatsu-trained technicians. Depending on your machine's engine, it also offers extended coverage of the Komatsu Diesel Particulate Filter (KDPF) or the Komatsu Diesel Oxidation Catalyst (KDOC), and of the Selective Catalytic Reduction (SCR). Please contact your local Komatsu distributor for terms and conditions.



Equipment Management and Monitoring System (EMMS)

The large high resolution monitor panel displays various machine information and allows for multiple settings. The “Operation Records” menu shows records of the average fuel consumption, idling hours, and other features. Abnormality codes are clearly displayed and stored to alert you and simplify troubleshooting. The monitor also provides for advanced monitoring of the system parameters through the service mode to aid in troubleshooting and reduce downtime.



WA320-8



Basic maintenance screen



Aftertreatment device regeneration screen for the KDPF



AdBlue® level gauge and refill guidance





Working gear division

Komatsu wheel loaders combined with a wide range of genuine Komatsu attachments provide the perfect solution for any industry sector. For special applications our “Working Gear” division offers purpose-built machines and attachments. The tailor made solutions allow high performance and outstanding reliability even under toughest conditions.

Waste handling

We adapt our wheel loaders to the different conditions that exist on waste handling job sites. Along with heavy duty attachments, we offer solutions to protect your machine against damage.

Agriculture

Simple handling, reliability and comprehensive safety features make Komatsu “agriculture” wheel loaders the ideal tools for contractors or large farms, for loading or for material handling. They are fitted with robust protection and safety equipment to provide perfect protection for both operator and machine.

WA320-8

Quality You Can Rely On

Designed and built by Komatsu

The engine, hydraulics, power train, front and rear axles are original Komatsu components. All these components are subject to the highest quality standards right down to the smallest screw. All components are fully co-ordinated with one another, thus offering the maximum efficiency and reliability.

Heavy-duty axles

The heavy-duty axles allow exceptional service life even under the toughest working conditions. As standard, the WA320-8 is equipped with torque proportional differentials for work on good ground conditions such as on concrete yards or roads. The optional limited slip differentials are most suitable for soft and slippery ground like sand or wet soil.

HST drive line with overrun protection

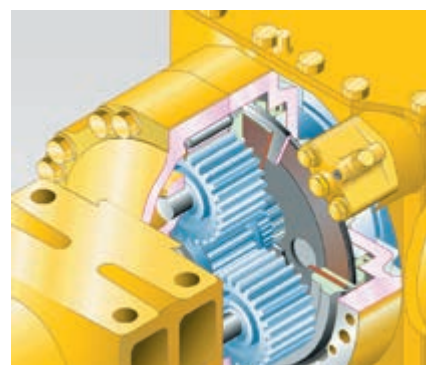
The hydrostatic drive line is equipped with an overrun protection that electronically limits the top speed when driving downhill and thus ensures the long service life of the power train and the drive line system.

Wet multi-disc service brake

The multi-disc service brake is encapsulated and runs in an oil bath. The brake stays clean and operates at low temperature for increased service intervals and a long lifetime.



Robust torsion-resistant main frame



Wet multi-disc service brake

Buckets and Attachments

The WA320-8 is outstanding due to its versatility. Whether used industrially in structural or civil engineering, earthmoving, road construction, waste recycling, agriculture, forestry or the timber industry, in landscaping companies or in community services,

the right solution is always available for your requirements. The optional 4-point quick-coupler adds increased versatility to the machine and thus allows high-intensity operation.

Examples from the comprehensive range of original attachments are:



High efficiency universal bucket

The new Komatsu high efficiency buckets enable easier bucket fill and significantly higher fill factors, contributing to more efficiency and less fuel consumption. They feature a longer bottom for more bucket content, a wider opening for an easier fill and a new rear shape that enables material to flow easily into the bucket.



Earthmoving bucket

The earthmoving bucket with a one-piece bucket bottom is suited both for earthworks and loading cohesive material. The slanted sides give powerful penetration. It is equipped either with flush mount adapters and interchangeable teeth or also with a rear removable edge.



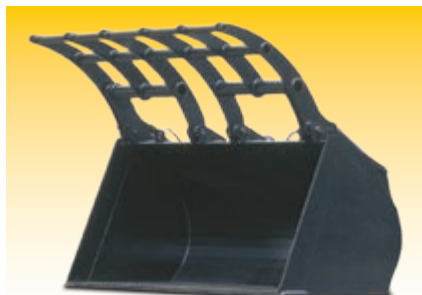
Stock pile bucket with raised bottom

The stock pile bucket with raised bottom is the right solution for handling loose and relatively light materials on paved grounds. The combination of rounded shovel back and the straight sidewalls contributes to good filling properties and less material spillage.



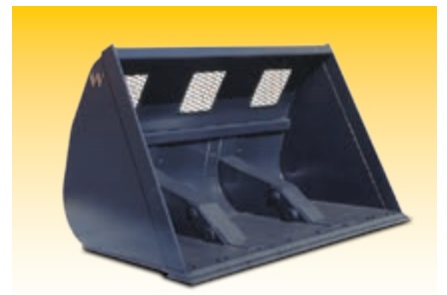
Hydraulic quick-coupler

The WA320-8 can change attachments in a matter of seconds with the HD hydraulic quick-coupler, available as optional equipment.



Mulch grab bucket

Perfectly suited for picking up bulky and compressible materials like gardening or plastic waste, etc. Without the side plates, this bucket can be used also as a grapple.



High dump bucket

For maximum dumping heights with light materials like coal or woodchips. The dump cylinders are located either inside or outside the bucket.

WA320-8

Specifications

ENGINE

Model	Komatsu SAA6D107E-3
Type	Common rail direct injection, water-cooled, emissionised, turbocharged, after-cooled diesel
Engine power	
at rated engine speed	2.100 rpm
ISO 14396	127 kW / 170 HP
ISO 9249 (net engine power)	123 kW / 165 HP
No. of cylinders	6
Bore × stroke	107 × 124 mm
Displacement	6,69 l
Battery	2 × 110 Ah
Alternator	90 A
Air-filter type	Dry-air filter with automatic dust emission and preliminary purification including a dust display

TRANSMISSION

Drive system	Electronically controlled hydrostatic transmission, switchable in all directions under full power. Fixed ratio gearbox. Variable speed limiter.
Hydrostatic pump	1 variable piston pump
Hydrostatic motor	2 variable piston motors
Speed ranges (forwards/backwards)	4/4
Max. travel speeds (forwards/backwards) (tyres 20.5 R25)	
1. speed range	1-13 km/h
2. speed range	13 km/h
3. speed range	19 km/h
4. speed range	38 km/h

CHASSIS AND TYRES

System	4-wheel drive
Front axle	Komatsu HD axle, semi-floating, fixed type, TPD-differential, (LSD-differential optional)
Rear axle	Komatsu HD axle, semi-floating, centre-pin support, 24° swing angle, TPD-differential, (LSD-differential optional)
Reduction gear	Spiral bevel gear
Differential	Straight bevel gear pair
Final drive	Planetary gear in oil bath
Tyres	20.5 R25 (standard)

SERVICE REFILL CAPACITIES

Cooling system	35,1 l
Fuel tank	245 l
Engine oil	23 l
Hydraulic system	92 l
Axle front	27 l
Axle rear	25,5 l
Transfer	5,8 l
AdBlue® tank	14 l

BRAKES

Operating brakes	Completely hydraulic dual-circuit system, running in oil bath, multi-disc brakes on all wheels, service-free
Parking brake	Operated electronically, running in oil bath, multi-disc brake, service-free
Emergency brake	Uses the parking brake

HYDRAULIC SYSTEM

Type	Komatsu CLSS (Closed Centre Load Sensing System)
Hydraulic pump	Variable piston pump
Working pressure (max)	310 kg/cm ²
Maximum pump flow	180 l/min
No. of boom/bucket cylinders	2/1
Bore diameter × stroke	
Boom cylinder	120 × 729 mm
Bucket cylinder	150 × 558 mm
Hydraulic control lever	Servo-controlled, single lever
Hydraulic cycle with rated load bucket filling	
Raise time	6,3 s
Lowering time (empty)	3,5 s
Dumping time	1,9 s

STEERING SYSTEM

System	Articulated frame steering
Type	Completely hydraulic power steering
Steering angle to either side	40°
Steering pump	Piston pump
Working pressure	210 kg/cm ²
Pumping capacity	180 l/min
No. of steering cylinders	2
Bore diameter × stroke	75 × 453 mm

CABIN

Two-door SpaceCab™ in conformity with ISO 3471 with ROPS (roll over protective structure) in conformity with SAE J1040c and FOPS (falling object protective structure) in conformity with ISO 3449. The air-conditioned pressurised cabin is mounted upon hydrobearings and is noise dampened.

ENVIRONMENT

Engine emissions	Fully complies with EU Stage IV exhaust emission regulations
Noise levels	
LwA external	105 dB(A) (2000/14/EC Stage II)
LpA operator ear	68 dB(A) (ISO 6396 dynamic test)
Vibration levels (EN 12096:1997)	
Hand/arm	≤ 2,5 m/s ² (uncertainty K = 0,43 m/s ²)
Body	≤ 0,5 m/s ² (uncertainty K = 1,46 m/s ²)
Contains fluorinated greenhouse gas HFC-134a (GWP 1430). Quantity of gas 1,0 kg, CO ₂ equivalent 1,43 t.	

Dimensions & Performance Figures

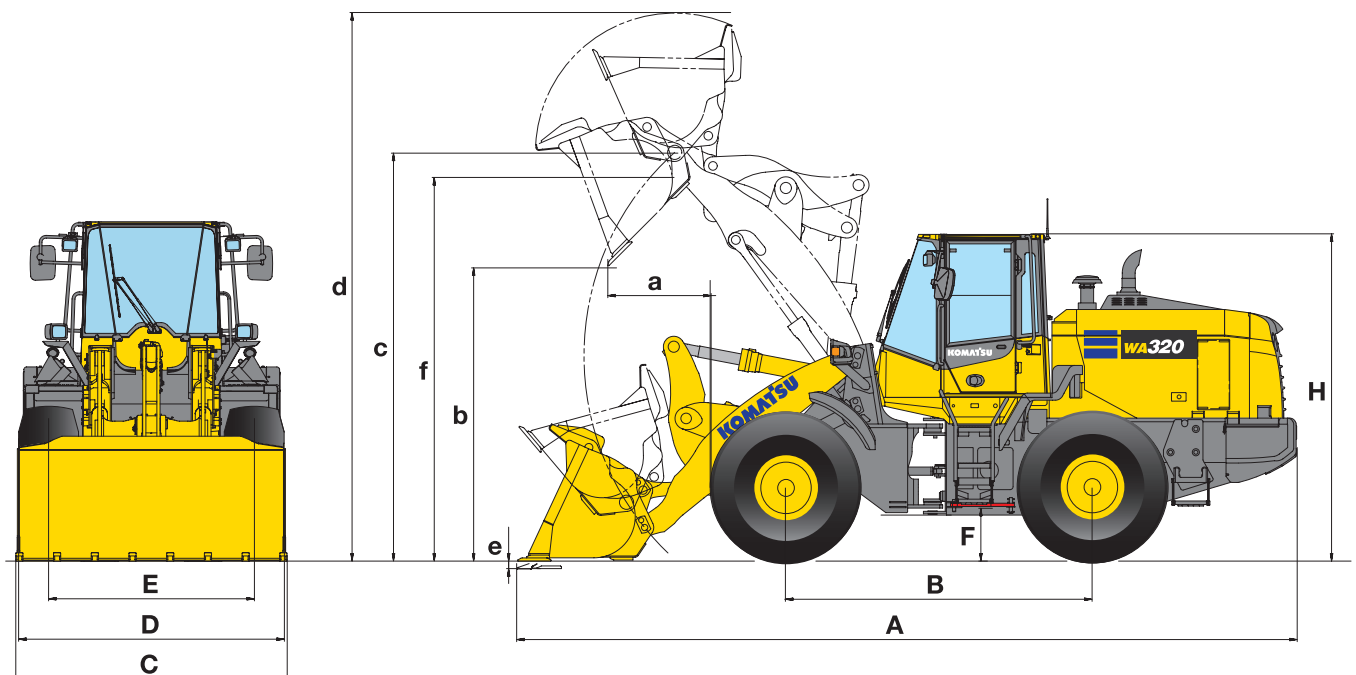
MEASUREMENTS AND WORKING SPECIFICATIONS

		Earthmoving				Stockpile	
		w. teeth	w. BOC	w. teeth	w. BOC	w. teeth	w. teeth
Bucket mount (direct/quick-coupler)		direct	direct	QC	QC	direct	direct
Bucket capacity (heaped, ISO 7546)	m³	2,7	2,9	2,7	2,9	3,0	3,2
Sales code		C42	C43	C72	C73	C32	C33
Material density (max.)	t/m ³	1,74	1,50	1,65	1,51	1,57	1,45
Bucket weight	kg	1.325	1.420	1.220	1.320	1.265	1.360
Static tipping load, straight	kg	11.745	11.535	11.130	10.925	11.725	11.545
Static tipping load, 40° articulated	kg	9.850	9.830	9.455	9.260	10.020	9.850
Break-out force hydraulic	kN	172,3	161,5	148,3	140,3	164,3	154,4
Operating weight	kg	15.775	15.870	16.130	16.225	15.715	15.810
Turning radius at corner of tyres	mm	5.705	5.705	5.705	5.705	5.705	5.705
Turning radius at centre of tyres	mm	5.385	5.385	5.385	5.385	5.385	5.385
Turning radius at bucket edge	mm	6.350	6.310	6.390	6.330	6.365	6.325
a Reach at 45°	mm	1.145	1.020	1.310	1.185	1.180	1.055
b Dump height at 45°	mm	2.730	2.840	2.640	2.745	2.695	2.800
c Hinge pin height	mm	4.010	4.010	4.010	4.010	4.010	4.010
d Height top edge of bucket	mm	5.335	5.335	5.505	5.505	5.500	5.500
e Digging depth	mm	150	180	95	125	150	180
f Max. loading height at 45°	mm	3.655	3.655	3.690	3.690	3.655	3.655
A Overall length, bucket grounded	mm	7.930	7.775	8.070	7.915	7.985	7.830
B Wheelbase	mm	3.030	3.030	3.030	3.030	3.030	3.030
C Bucket width	mm	2.740	2.750	2.740	2.750	2.740	2.750
D Width over tyres	mm	2.580	2.580	2.580	2.580	2.580	2.580
E Track width	mm	2.050	2.050	2.050	2.050	2.050	2.050
F Ground clearance	mm	430	430	430	430	430	430
H Overall height	mm	3.205	3.205	3.205	3.205	3.205	3.205

All measurements with tyres 20.5 R25

Standard with add. side counterweights A15, high-lift with add. side counterweights A25

BOC: bolt-on cutting edge



WA320-8

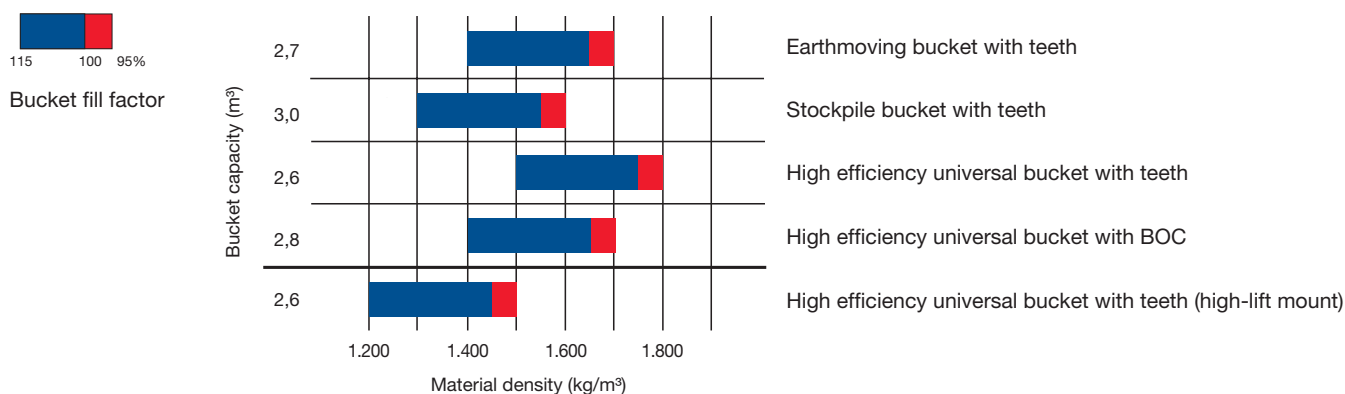
HIGH-LIFT

Stockpile		High efficiency universal bucket				Earthmoving		Stockpile		High efficiency universal bucket	
w. teeth	w. BOC	w. teeth	w. BOC	w. teeth	w. BOC	w. teeth	w. BOC	w. teeth	w. teeth	w. teeth	w. BOC
QC	QC	direct	direct	QC	QC	direct	direct	direct	direct	direct	direct
2,7	2,9	2,6	2,8	2,6	2,8	2,7	2,9	3,0	3,2	2,6	2,8
C72	C73	C14	C15	C84	C85	C42	C43	C32	C33	C14	C15
1,65	1,51	1,80	1,65	1,72	1,57	1,39	1,27	1,25	1,15	1,44	1,31
1.220	1.320	1.250	1.345	1.120	1.215	1.325	1.420	1.265	1.360	1.250	1.345
11.130	10.925	11.710	11.505	11.175	10.975	9.355	9.180	9.365	9.210	9.360	9.185
9.455	9.260	10.010	9.815	9.510	9.320	7.905	7.740	7.925	7.775	7.925	7.760
148,3	140,3	167,1	156,7	145,8	138	176,4	165,2	168	158	171	160,4
16.130	16.225	15.700	15.795	16.030	16.125	16.070	16.165	16.010	16.105	15.995	16.090
5.705	5.705	5.705	5.705	5.705	5.705	5.705	5.705	5.705	5.705	5.705	5.705
5.385	5.385	5.385	5.385	5.385	5.385	5.385	5.385	5.385	5.385	5.385	5.385
6.390	6.330	6.370	6.330	6.405	6.355	6.605	6.560	6.625	6.580	6.610	6.570
1.310	1.185	1.150	1.025	1.305	1.180	1.230	1.105	1.270	1.145	1.235	1.110
2.640	2.745	2.685	2.795	2.605	2.710	3.275	3.380	3.235	3.340	3.225	3.335
4.010	4.010	4.010	4.010	4.010	4.010	4.550	4.550	4.550	4.550	4.550	4.550
5.505	5.505	5.440	5.440	5.595	5.595	5.875	5.875	6.040	6.040	5.980	5.980
95	125	180	210	125	155	260	290	260	290	290	320
3.690	3.690	3.625	3.625	3.665	3.665	3.655	3.655	3.655	3.655	3.625	3.625
8.070	7.915	8.000	7.835	8.100	7.960	8.495	8.350	8.550	8.405	8.550	8.405
3.030	3.030	3.030	3.030	3.030	3.030	3.030	3.030	3.030	3.030	3.030	3.030
2.740	2.750	2.740	2.750	2.740	2.750	2.740	2.750	2.740	2.750	2.740	2.750
2.580	2.580	2.580	2.580	2.580	2.580	2.580	2.580	2.580	2.580	2.580	2.580
2.050	2.050	2.050	2.050	2.050	2.050	2.050	2.050	2.050	2.050	2.050	2.050
430	430	430	430	430	430	430	430	430	430	430	430
3.205	3.205	3.205	3.205	3.205	3.205	3.205	3.205	3.205	3.205	3.205	3.205

CHANGE IN DATA CAUSED BY:

		Tyres 20.5 R25 L5	Tyres 23.5 R25 L3	with additional side counterweights (A25)	w/o additional side counterweights (A15)
Operating weight	kg	+660	+340	+172	-250
Material density (max.)	kg	+0,06	+0,03	+0,04	-0,07
Static tipping load, straight	kg	+430	+222	+300	-445
Static tipping load, 40° articulated	kg	+380	+195	+250	-377
Reach at 45°	mm	-25	-60	0	0
Dump height at 45°	mm	+25	+60	0	0
Width over tyres	mm	+0	+75	0	0
Overall height	mm	+25	+60	0	0

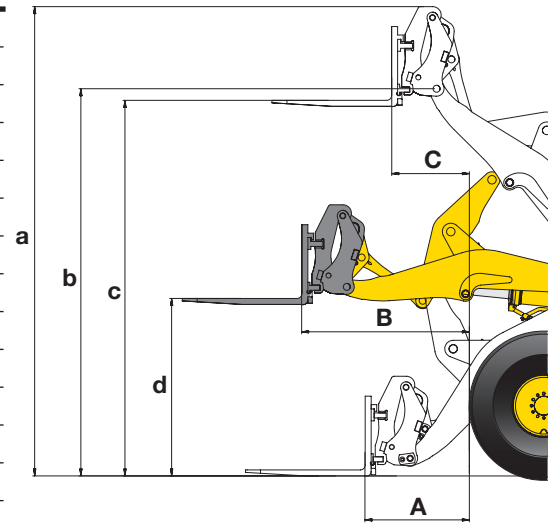
BUCKET SELECTION GUIDE



Dimensions & Performance Figures

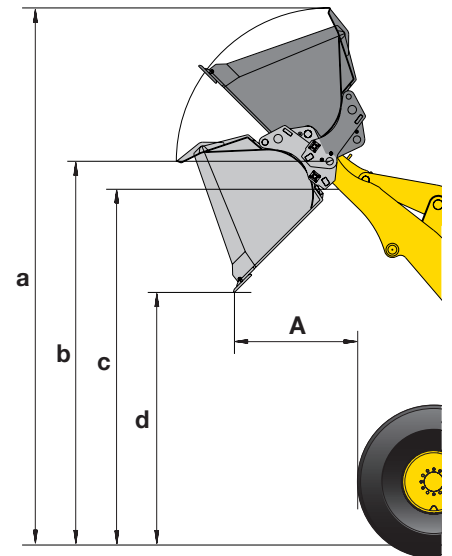
FORK TINES

Sales code		C57
Fork tine length	mm	1.200
A Max. reach at ground level	mm	1.080
B Max. reach	mm	1.725
C Max. reach at max. stacking height	mm	830
a Max. height fork-carrier	mm	4.765
b Hinge pin height	mm	4.010
c Max. stacking height	mm	3.820
d Height of forks at maximum reach	mm	1.810
Max. tipping load, straight	kg	8.820
Max. tipping load, articulated	kg	7.570
Max. payload as per EN 474-3, 80%	kg	6.000
Max. payload as per EN 474-3, 60%	kg	4.550
Weight in working order with fork tines	kg	15.150



LIGHT MATERIAL BUCKET

	w. BOC	
Sales code	Q36	Q67
Bucket mount (direct/quick-coupler)	QC	QC
Bucket capacity (heaped, ISO 7546)	m ³ 4,8	4,8
Material density	t/m ³ 1,00	1,00
Rated load	kg 4.800	4.800
Bucket width	mm 2.740	2.924
Bucket weight	kg 1.240	1.400
A Reach at 45°	mm 1.480	1.420
a Height top edge of bucket	mm 5.805	5.710
b Hinge pin height	mm 4.040	4.040
c Max. loading height at 45°	mm 3.704	3.745
d Dump height at 45°	mm 2.370	2.490



TYPICAL MATERIAL DENSITY – LOOSE (IN KG/M³)

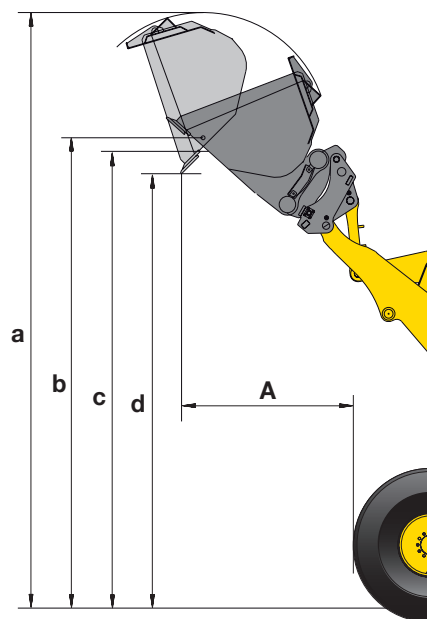
Basalt	1.960	Gravel, unscreened	1.930	Sandstone	1.510
Bauxite, Kaolin	1.420	Gravel, dry	1.510	Slate	1.250
Earth, dry, ex store	1.510	Gravel, dry, 6-50 mm	1.690	Slag, broken	1.750
Earth, wet, excavated	1.600	Gravel, wet, 6-50 mm	2.020	Stone, crushed	1.600
Gypsum, broken	1.810	Sand, dry, loose	1.420	Clay, natural	1.660
Gypsum, crushed	1.600	Sand, damp	1.690	Clay, dry	1.480
Granite, broken	1.660	Sand, wet	1.840	Clay, wet	1.660
Limestone, broken	1.540	Sand and clay, loose	1.600	Clay and gravel, dry	1.420
Limestone, crushed	1.540	Sand and gravel, dry	1.720	Clay and gravel, wet	1.540

All measurements with tyres 20.5 R25

HIGH-DUMP BUCKET

		w. BOC	
Sales code		Q41	Q66
Bucket mount (direct/quick-coupler)		QC	QC
Bucket capacity (heaped, ISO 7546)	m ³	3,5	3,5
Material density	t/m ³	1,00	1,00
Rated load	kg	3.500	3.500
Bucket width	mm	2.740	3.000
Bucket weight	kg	2.000	2.040
A Reach at 45°	mm	1.775	1.810
a Height top edge of bucket	mm	6.380	6.545
b Hinge pin height	mm	4.960	5.010
c Max. loading height at 45°	mm	4.825	4.850
d Dump height at 45°	mm	4.570	4.540

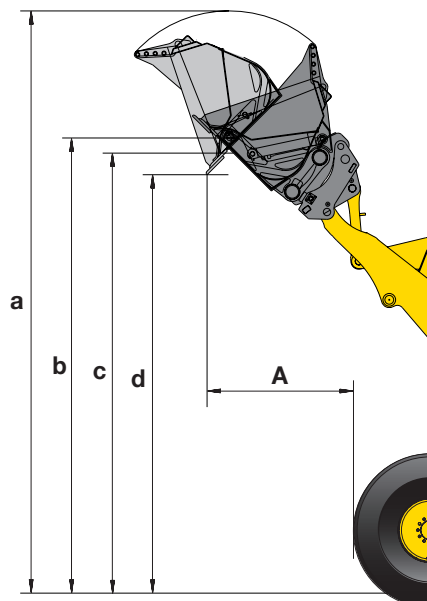
Type B, dump cylinders located outside bucket



HIGH-DUMP BUCKET (WASTE HANDLING)

		w. BOC	
Sales code		Q86	
Bucket mount (direct/quick-coupler)		QC	
Bucket capacity (heaped, ISO 7546)	m ³	3,4	
Material density	t/m ³	1,00	
Rated load	kg	3.400	
Bucket width	mm	2.750	
Bucket weight	kg	2.000	
A Reach at 45°	mm	1.750	
a Height top edge of bucket	mm	6.390	
b Hinge pin height	mm	5.010	
c Max. loading height at 45°	mm	4.840	
d Dump height at 45°	mm	4.570	

Type B, dump cylinders located outside bucket



Standard and Optional Equipment

ENGINE

Komatsu SAA6D107E-3 turbocharged common rail direct injection diesel engine	●
EU Stage IV compliant	●
Komatsu SmartLoader Logic	●
Adjustable idle shutdown	●
Auto-deceleration function	●
Fuel filter with water separator	●
Batteries 2 × 110 Ah / 2 × 12 V	●

TRANSMISSION AND BRAKES

Electronically controlled HST with 2-motor system	●
Speed control with fine adjustment in 1st speed range	●
Traction control system (K-TCS)	●
Fully hydraulic brake system	●
Combined brake/inching pedal	●
20 km/h limited hydrostatic driveline	○
25 km/h limited hydrostatic driveline	○

CHASSIS AND TYRES

Heavy-duty axles	●
TPD-differential front and rear	●
Power train guard	●
Limited-slip differential (LSD) front and rear	○
Tyres 20.5 R25 L2, L3, L4, L5	○
Tyres 23.5 R25 L3*	○
Agricultural tyres	○

* not acc. to German road regulation StVZO

ATTACHMENTS

Hydraulic quick-coupler (incl. additional side counterweights, large size)	○
High efficiency universal buckets	○
Earthmoving buckets	○
Stock pile buckets	○
High-dump buckets	○
Light material buckets	○
Waste handling buckets	○
Fork carrier and tines	○
Log grapple	○

CABIN

Spacious double door driver's cab to DIN/ISO	●
ROPS/FOPS frame according to SAE	●
Heated, high back air suspension seat with lumbar support, console mounted height adjustable arm rests	●
Retractable seat belt	●
Automatic climate control system	●
Multi-function video compatible colour monitor with Equipment Management and Monitoring System (EMMS) and efficiency guidance	●
CD radio w. auxiliary input (MP3 jack)	●
Hot and cool box	●
Heated rear window	●
Rear window wiper	●
Adjustable steering column	●
2 × 12 V power supply	●
Komatsu short lever steering (K-SLS)	○
3-point seat belt	○
Sun roller blind	○

SERVICE AND MAINTENANCE

Hydrostat-driven radiator fan with automatic reversing function	●
Wide-core radiator	●
KOMTRAX™ – Komatsu wireless monitoring system (3G)	●
Komatsu CARE™ – a maintenance program for Komatsu customers	●
Tool-set	●
Automatic central lubrication	●
Filling tool for central lubrication system	○
Turbo II air pre-cleaner, cyclone type	○

HYDRAULIC SYSTEM

3-spool main control valve	●
PPC multi-function lever with electronic control for 3rd spool (EPC)	●
Automatic return-to-dig	●
Automatic boom kick-out	●
Biodegradable oil for hydraulic system	○

SAFETY EQUIPMENT

Emergency steering system	●
Vandalism protection	●
Back-up alarm	●
Battery main switch	●
Handrails on left/right	●
Rear-view camera system	●
Front screen protective grid	○
Fire extinguisher	○
Beacon light	○
Roof rail	○
Rear view mirror, heated and remote control	○
Optical back-up alarm (strobe light)	○

LIGHTING SYSTEM

2 halogen main headlights	●
2 spotlights at front and rear	●
Reversing light	●
Additional lights front and rear	○
LED working lights	○
Xenon working lights	○

OTHER EQUIPMENT

PZ-kinematics: Z-bar boom with parallel movement	●
Counterweight	●
Electronically controlled load stabilizer (ECSS)	●
Loader boom equipment	○
High-lift equipment incl. additional side counterweights (A25)	○
Additional side counterweights (A15)	○
Special custom colour	○
Anti-corrosion specification	○
Waste-handler specification	○
Agriculture specification	○
Cold area kit (engine and cab pre-heating)	○

The WA320-8 is equipped in accordance with the safety regulations of the machinery guidelines 89/392 EWG ff and EN474.

- standard equipment
- optional equipment

Your Komatsu partner:

KOMATSU

Komatsu Europe International N.V.
 Mechelsesteenweg 586
 B-1800 VILVOORDE (BELGIUM)
 Tel. +32-2-255 24 11
 Fax +32-2-252 19 81
www.komatsu.eu

VENSS06000 05/2017

KOMATSU is a trademark of Komatsu Ltd. Japan.