

KOMATSU

PW118MR-11

EU Stage IV Engine

MIDI-EXCAVATOR



PW118

ENGINE POWER

72,6 kW / 97,3 HP @ 2.050 rpm

OPERATING WEIGHT

12.880 – 13.900 kg

BUCKET CAPACITY

max. 0,40 m³

Walk-Around

PW118MR-11



ENGINE POWER

72,6 kW / 97,3 HP @ 2.050 rpm

OPERATING WEIGHT

12.880 – 13.900 kg

BUCKET CAPACITY

max. 0,40 m³



EXCEPTIONAL PERFORMANCE IN TIGHT SPACES

Powerful and Environmentally Friendly

- EU Stage IV engine
- Adjustable idle shutdown
- Komatsu fuel-saving technology
- 100% passive regeneration and requires no DPF

Safety First

- ROPS/FOPS compliant with ISO12117-2:2008
- Protrusion over tyres just 240 mm
- KomVision surround view system
- Neutral position detection system

Total versatility

- Compact design
- 4-wheel steering enabling 3 steering modes
- Excellent mobility in confined work spaces
- Innovative two-piece boom design
- Standard hammer line
- Second auxiliary circuit
- Standard hydraulic quick-coupler line

First-Class Comfort

- Spacious and comfortable cab
- Quiet and ergonomic working environment
- Widescreen monitor
- Proportional control on joystick for auxiliary circuits

KOMTRAX

- Komatsu Wireless Monitoring System
- 3G mobile communications
- Integrated communication antenna
- Increased operational data and reports

Powerful and Environmentally Friendly



Higher productivity

The PW118MR-11 is quick and precise. It features a powerful Komatsu EU Stage IV engine, Komatsu's Closed Center Load Sensing (CLSS) hydraulic system and first-class Komatsu comfort to provide a fast response and unrivalled productivity for its class.

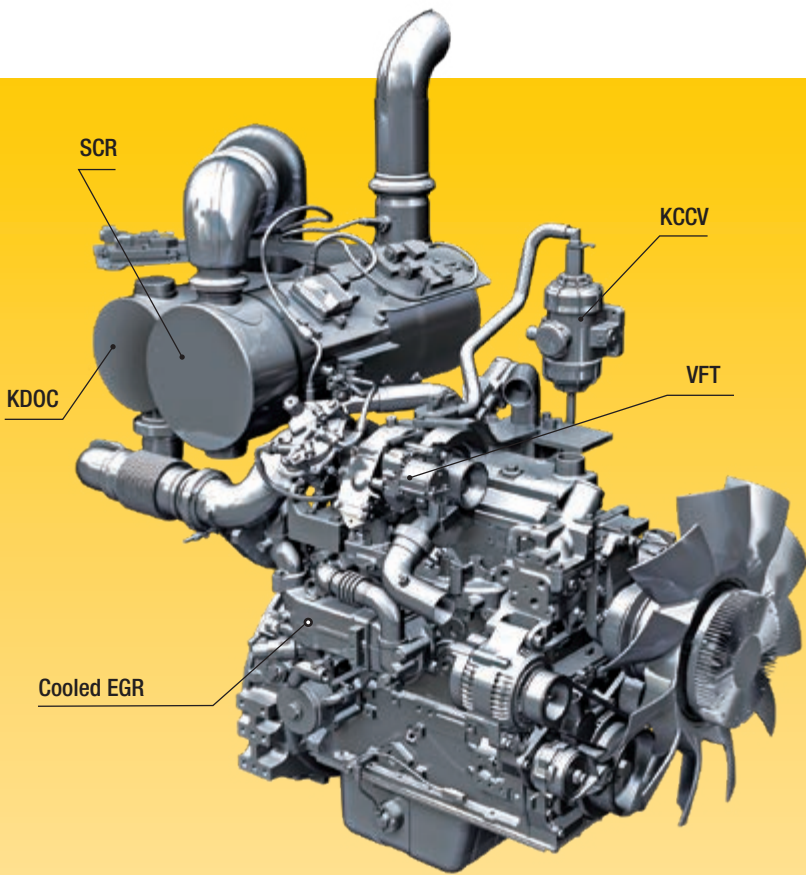
Komatsu fuel-saving technology

Fuel consumption on the PW118MR-11 is lower by up to 6%. Engine management is enhanced. The variable speed matching of the engine and hydraulic pumps guarantee efficiency and precision during single and combined movements. A viscous fan-clutch reduces power loss, engine load and noise levels when maximum cooling isn't needed.

Adjustable idle shutdown

The Komatsu auto idle shutdown automatically turns off the engine after it idles for a set period of time. This feature can easily be programmed from 5 to 60 minutes, to reduce unnecessary fuel consumption and exhaust emissions, and to lower operating costs. An Eco-gauge and the Eco guidance tips on the cab monitor further encourage efficient operations.

PW118MR-11



Komatsu EU Stage IV

The Komatsu EU Stage IV engine is productive, dependable and efficient. With ultra-low emissions, it provides a lower environmental impact and a superior performance to help reduce operating costs and lets the operator work in complete peace of mind.

Heavy-duty aftertreatment

The aftertreatment system combines a Komatsu Diesel Oxidation Catalyst (KDOC) and Selective Catalytic Reduction (SCR). The SCR injects the correct amount of AdBlue® into the system at the proper rate to break down NOx into water (H₂O) and non-toxic nitrogen gas (N₂).

Exhaust Gas Recirculation (EGR)

Cooled EGR is a technology well-proven in current Komatsu engines. The increased capacity of the EGR cooler now ensures very low NOx emissions and a better engine performance.

Komatsu Closed Crankcase Ventilation (KCCV)

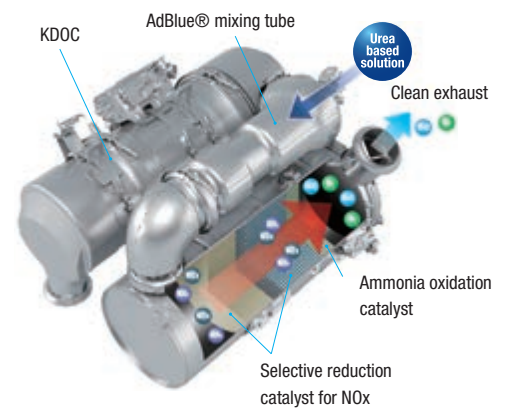
Crankcase emissions (blow-by gas) are passed through a CCV filter. The oil mist trapped in the filter is returned back to the crankcase while the filtered gas is returned to the air intake.

High-Pressure Common Rail (HPCR)

To achieve complete fuel burn and lower exhaust emissions, the heavy duty High-Pressure Common Rail fuel injection system is computer controlled to deliver a precise quantity of pressurised fuel into the redesigned engine combustion chamber by multiple injections.

Variable Flow Turbocharger (VFT)

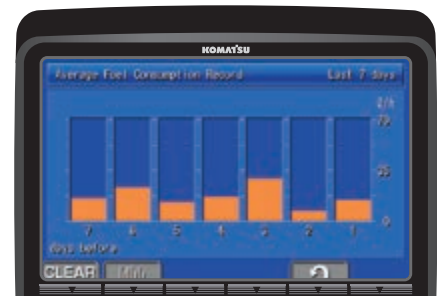
Varies the intake air flow. The wheel speed of the exhaust turbine is controlled by a valve for optimum air flow to the engine combustion chamber, under any load or speed conditions. The exhaust gas is cleaner, with no reduction in power or performance.



Eco-gauge, Eco guidance and fuel consumption gauge



ECO guidance record



Fuel consumption history

Total Versatility

Easy operation

The PW118MR-11's operational concept puts full control of the machine at the operator's fingertips. Travel direction, undercarriage attachments, and manual axle lock can be actuated by switches on the control joysticks or the dashboard. Without removing the hand from the right joystick, the operator can switch its function from boom operation to undercarriage control for complete and precise control over the parallel dozer blade.

6 working modes

Power, Lifting, Breaker, Economy, Attachment Power and Attachment Economy modes are all available, ensuring that the PW118MR-11 delivers the power you need with minimised fuel usage. The Economy mode can be adjusted for an ideal balance between power and economy to match your work. The oil flow delivered to hydraulic attachments is adjustable directly on the class-leading wide screen monitor panel.

Excellent travel performance

Wheeled excavators are built to move quickly on and between jobsites. To increase its mobility, the PW118MR-11 features a completely reworked driveline for faster travel and uphill driving speeds. The front oscillating axle, manually lockable through a switch on the dashboard, further increases the performance on slopes.

4-wheel steering

It's possible to select between 3 steering modes: 2-wheel steering (for travelling), 4-wheel steering (for fast, agile operation) and crab (for confined areas). This ensures outstanding versatility and manoeuvrability. It's easy and safe to change the steering mode: just push a switch. When working, the front-axle oscillation can be blocked for improved stability in 3 different ways: by pushing over the limit the break pedal, by pushing a switch on the PPC or on the right dashboard.

Work in tight spaces

The short-tail PW118MR-11 delivers optimal power and digging speed, even in confined spaces where traditional machines can't work: yards, road works, demolition sites, sewers, etc. Sturdy and very stable, it guarantees maximum safety and offers complete operator confidence in any working conditions.

High lift capacity

Along with its class leading compact size, the PW118MR-11 features an unrivalled lifting performance. The combination of power, convenient dimensions and complete control makes the PW118MR-11 the first choice for heavy duty lifting applications or simple excavating tasks in narrow alleys, road-construction sites and for sewer-construction work.



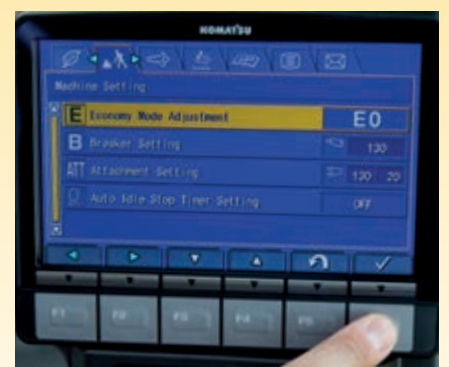
4-wheel steering



Excellent travel performance



Easy undercarriage control



6 working modes

PW118MR-11



First-Class Comfort

Increased comfort

In the wide Komatsu cab, a high-back suspension seat, with fully adjustable armrests, is the centre of a comfortable and low-fatigue working environment. High visibility and ergonomic controls further assist to maximise the operator's productivity.

Perfect operator convenience

In addition to the standard radio, the PW118MR-11 has an auxiliary input for connecting external devices and play music through the cab speakers. Two 12-volt power ports are also incorporated in the cab (option). Proportional controls are fitted as standard for safe and precise operation of attachments.

Low-noise design

Komatsu excavators have very low external noise levels and are especially well-suited for work in confined spaces or urban areas. The optimal usage of sound insulation and of sound absorbing materials helps to make noise levels inside the cab comparable to those of an executive car.



Convenient, ergonomic and precise control



Ergonomically designed switches



Easy access with low mounted door handle

PW118MR-11

Information & Communication Technology



Lower operating costs

Komatsu ICT contributes to the reduction of operating costs by assisting to comfortably and efficiently manage operations. It raises the level of customer satisfaction and the competitive edge of our products.

Widescreen monitor

Conveniently customisable and with a choice of 26 languages, the wide-screen monitor with simple switches and multifunction keys gives fingertip access to a large range of functions and operating info. The KomVision camera view and an AdBlue® level gauge are now visible on the default main screen.

An evolutionary interface

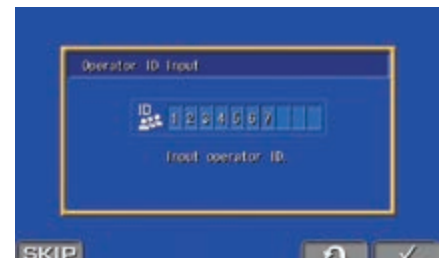
Helpful information is now easier than ever to find and understand with the upgraded monitor interface. An optimal main screen for the ongoing work can be selected simply by pressing the F3 key.



Quick view on the operation logs



All camera views can be displayed fullscreen



Operator identification function

Safety First



Optimal jobsite safety

Safety features on the Komatsu PW118MR-11 comply with the latest industry standards and work in synergy to minimise risks to people in and around the machine. A neutral detection system for travel and work equipment levers increase jobsite safety, along with a seat belt caution indicator and an audible travel alarm (white noise option). 4WS enhances machine maneuverability, helping the operator to work in a safer way even on tight jobsites.



Short tail swing



Exceptional operator protection



Safe and easy maintenance

Safe operation in confined areas

The machine's rounded profile allows it to operate in narrow spaces or where there are a number of obstructions. The compact tail design minimises the risks of rear impact and lets the operator concentrate fully on his work.

Operator's environment

The PW118MR-11 has a spacious ROPS/FOPS cab (ISO 12117-2) designed to absorb shocks and offer maximum protection in case of a roll over. The seat belt is designed to keep the operator in the safety zone of the cab in the event of a roll-over.

Safe maintenance

Thermal guards around high temperature areas of the engine, protected fan belt and pulleys, a pump/engine partition that prevents hydraulic oil from spraying onto the engine, and exceptionally sturdy handrails: in Komatsu tradition, the highest safety level is provided for a fast and smooth maintenance.

PW118MR-11

KomVision

KomVision can display a bird's eye view representation of the machine on the standard monitor by using 3 cameras installed on the sides and rear of the machine.



Easy Maintenance



Excellent serviceability

Komatsu designed the PW118MR-11 with an easy access to all service points. Routine maintenance and servicing are less likely to be skipped, which can mean a reduction of costly downtime later on. The radiator, aftercooler and oil cooler are made of aluminium to improve their efficiency and are mounted in parallel for quicker cleaning. The fuel and oil filters as well as the fuel drain valve, are all remote mounted and easily accessible.

Electric refuelling pump

Standard equipment on all PW118MR-11 includes an automatic shut-off fuelling pump that allows easy refuelling from a barrel.

Easy access

New steps on the right-hand side of the machine make servicing and maintenance safer and more comfortable.

Long-life oil filters

The Komatsu Genuine hydraulic oil filter uses high-performance filtering material for long replacement intervals, which significantly reduces maintenance costs.



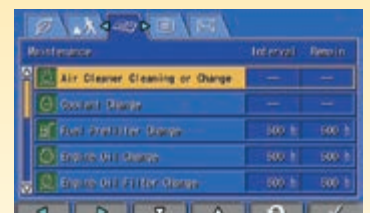
All major maintenance points can be easily reached from ground level



Simple access to the AdBlue® tank



The cooler nets are integrated in the side doors for easy cleaning access from ground level



Basic maintenance screen

KOMTRAX

The way to higher productivity

KOMTRAX uses the latest wireless monitoring technology. Compatible on PC, smartphone or tablet, it delivers insightful and cost saving information about your fleet and equipment, and offers a wealth of information to facilitate peak machine performance. By creating a tightly integrated web of support it allows proactive and preventive maintenance and helps to efficiently run a business.



Knowledge

You get quick answers to basic and critical questions about your machines – what they're doing, when they did it, where they're located, how they can be used more efficiently and when they need to be serviced. Performance data is relayed by wireless communication technology (satellite, GPRS or 3G depending on model) from the machine to a computer and to the local Komatsu distributor – who's readily available for expert analysis and feedback.

Power

The detailed information that KOMTRAX puts at your fingertips 24 hours a day, 7 days a week gives the power to make better daily and long-term strategic decisions – at no extra cost. Problems can be anticipated, maintenance schedules customised, downtime minimised and machines kept where they belong: working on the jobsite.

Convenience

KOMTRAX enables convenient fleet management on the web, wherever you are. Data is analysed and packaged specifically for effortless and intuitive viewing in maps, lists, graphs and charts. You can foresee eventual maintenance issues and required spare parts, and troubleshoot a problem before Komatsu technicians arrive on site.



Specifications

ENGINE

Model	Komatsu SAA4D95LE-7
Type	Common rail direct injection, water-cooled, emissionised, turbocharged, after-cooled diesel
Engine power	
at rated engine speed	2.050 rpm
ISO 14396	72,6 kW/97,3 HP
ISO 9249 (net engine power)	72,5 kW/97,2 HP
No. of cylinders	4
Bore × stroke	95 × 115 mm
Displacement	3,26 l
Air filter type	Double element type with monitor panel dust indicator and auto dust evacuator
Cooling	Suction type cooling fan with cooler-grids integrated in side doors

OPERATING WEIGHT (APPR.)

Operating weight, including 1.850 mm arm, 0,33 m³ bucket (ISO 7451), twin tyres, 2 auxiliary lines, quick-coupler line, operator, liquids, filled tank and standard equipment (ISO 6016).

	Width	Operating weight
With rear blade	2.500 mm	13.445 kg
With rear outriggers	2.490 mm	13.270 kg
With blade and outriggers	2.500 mm	13.900 kg

TRANSMISSION

Hydrostatic transmission with 4 driving wheels. A travel motor with a creep valve and a gearbox with 2 gear ratio.

Maximum drawbar pull	6.227 daN (6.350 kg)
Max. travel speeds	
Creep / Lo / Hi	4 / 13 / 30 km/h

STEERING

Hydraulically operated steering system that acts on the front and rear wheels by means of double rod hydraulic cylinders in the axles. The operator can select three kinds of steering by means of an electric switch.

Two steering wheels	
Four steering wheels	
Crab steering	
Steering radius	
Two steering wheels	6.850 mm
Four steering wheels	4.050 mm

HYDRAULIC SYSTEM

Type	HydrauMind. Closed-centre system with load sensing and pressure compensation valves
Main pumps	
Pump for	Two-piece boom, arm, bucket, undercarriage, travelling, attachments and swing circuit
Type	Variable displacement, axial piston
Max. flow	229 l/min
Pump for	Pilot circuit and steering
Type	Fixed displacement gear pump
Max. flow	53 l/min
Hydraulic motors	
Travel	1 × piston motor, variable displacement
Swing	1 × piston motor with swing holding brake
Relief valve setting	
Swing	22,5 MPa (230 kg/cm ²)
Travel and work equipment	29,4 MPa (300 kg/cm ²)
Bucket breakout force (ISO 6015)	7.169 daN (7.310 kgf)
Arm crowd force, 1.850 mm arm (ISO 6015)	4.609 daN (4.700 kgf)

AXLES

Driving and steering axles with epicyclic reduction gears in the hubs. The oscillation of the front axle can be blocked by means of two hydraulic pistons.

Tyres	
Twin tyres (standard)	9-20
Single tyres (option)	18-19.5

BRAKES

Type	Hydraulically controlled, with pedal, by means of two double circuit pumps, acting on oil immersed multiple discs on the four wheels
Service brakes	Hydraulically controlled by means of a pedal, acting on the four wheels
Parking brake	Negative type brakes, hydraulically controlled by means of an electric push button positioned inside the cab, acting on the rear axle

SERVICE REFILL CAPACITIES

Fuel tank	142 l
Cooling system	13 l
Engine oil	11,5 l
Differential (each axle)	9 l
Gearbox	0,8 l
Swing drive	4 l
Hydraulic oil tank	80 l
AdBlue® tank	21,1 l

CAB

Sound-proof cab, provided with safety glasses, liftable windscreen, roof window, sliding door with lock, windscreen-wiper, electric horn, adjustable seat with double slide, control system and instrumentation, adjustable joysticks, outside air inlet. ROPS/FOPS level 1 compliant.

SWING SYSTEM

Driven by	Hydraulic motor
Swing reduction gear	Planetary gear
Swing circle lubrication	Grease-bathed
Swing brakes	Automatic, with oil immersed disks
Swing speed	8,0 rpm

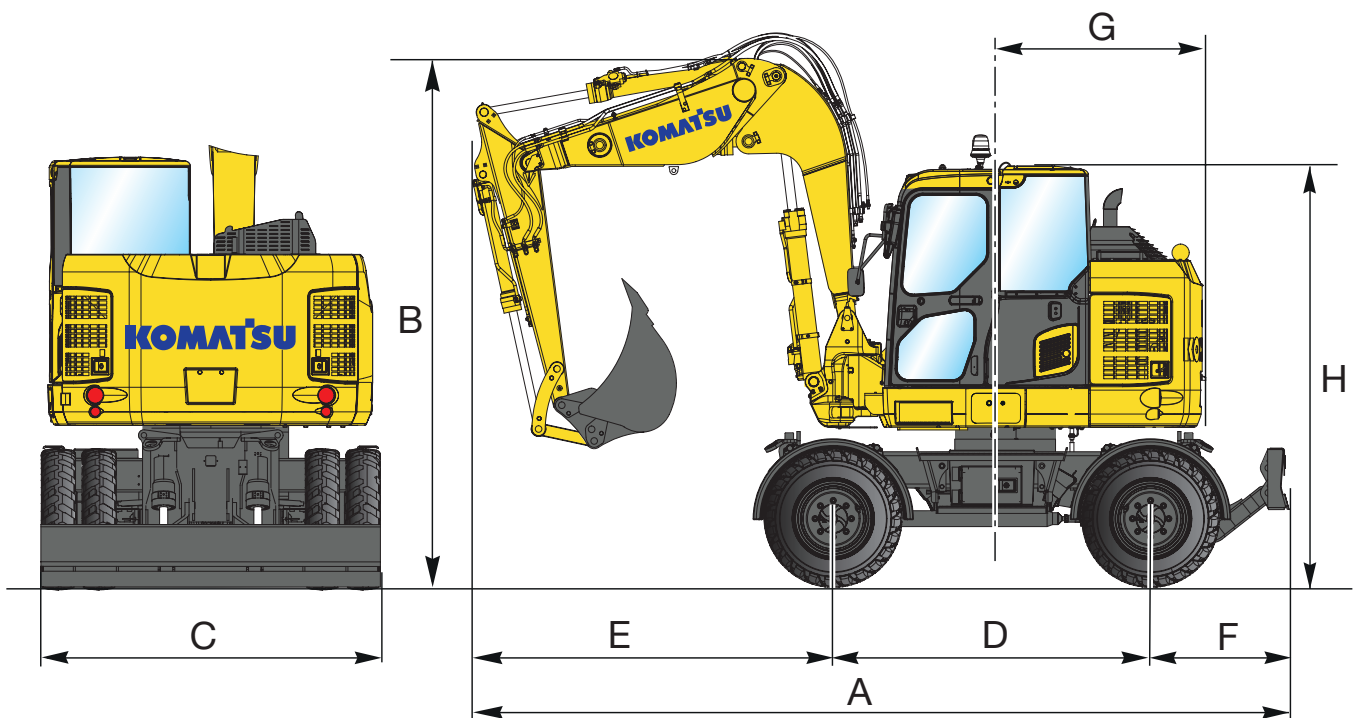
ENVIRONMENT

Engine emissions	Fully complies with EU Stage IV exhaust emission regulations
Noise levels	
LwA external	100 dB(A) (2000/14/EC Stage II)
LpA operator ear	74 dB(A) (ISO 6396 dynamic test)
Vibration levels (EN 12096:1997)	
Hand/arm	$\leq 2,5 \text{ m/s}^2$ (uncertainty K = 0,58 m/s^2)
Body	$\leq 0,5 \text{ m/s}^2$ (uncertainty K = 0,22 m/s^2)
Contains fluorinated greenhouse gas HFC-134a (GWP 1430). Quantity of gas 0,7 kg, CO ₂ equivalent 1,0 t.	

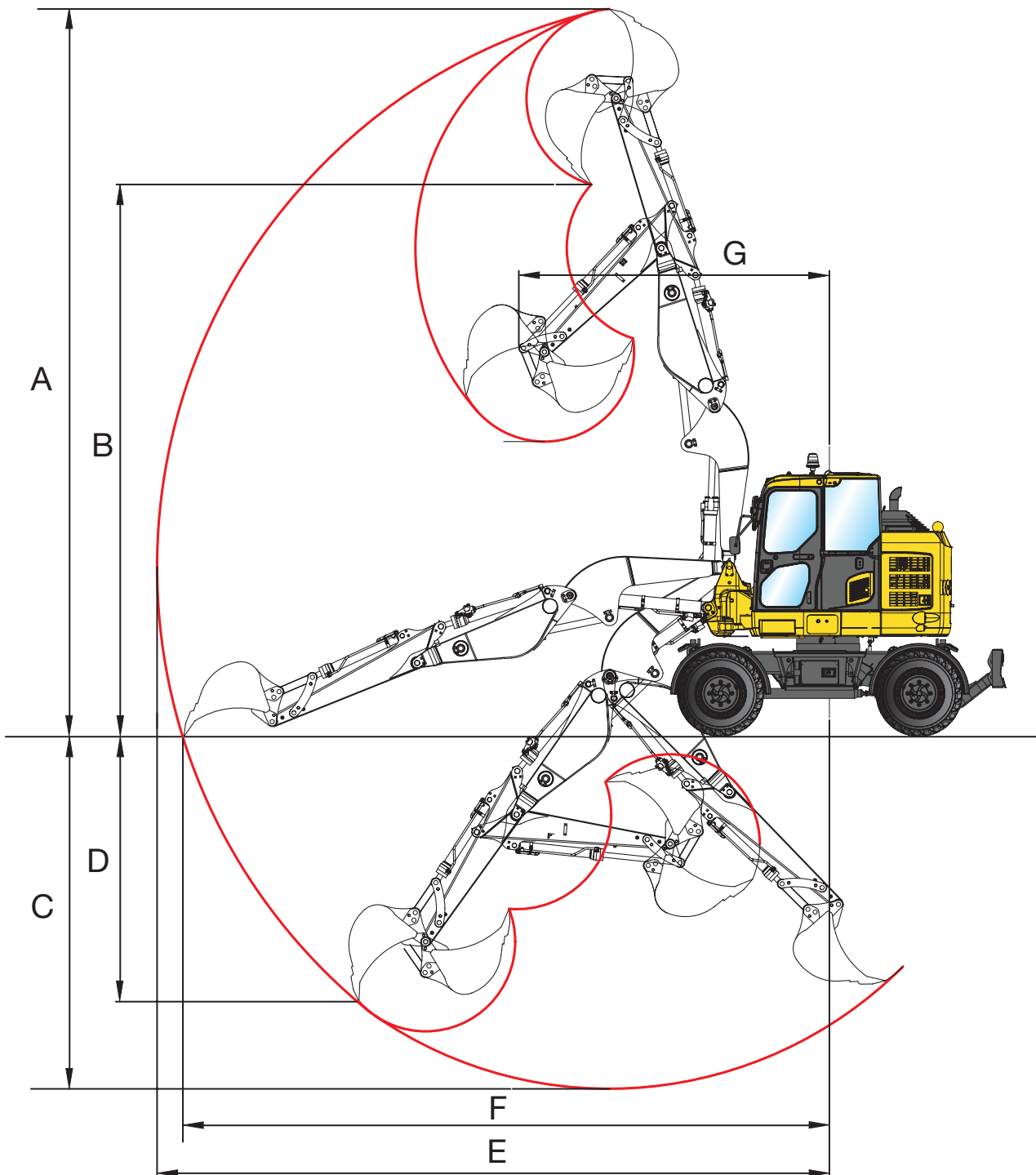
Dimensions

MACHINE DIMENSIONS

A	Transport length (with stabilizers)	6.070 mm
	Transport length (with blade)	6.125 mm
B	Overall height (to top of boom)	3.995 mm
C	Overall width (with blade)	2.500 mm
D	Wheelbase	2.400 mm
E	Distance, boom	2.680 mm
F	Distance (with stabilizers)	990 mm
	Distance (with blade)	1.045 mm
G	Tail swing radius	1.490 mm
H	Overall height (cab)	3.150 mm

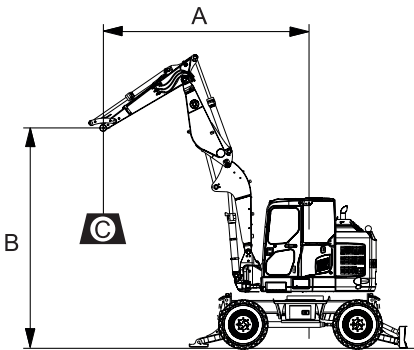


Working Range



ARM LENGTH	1.850 mm	2.000 mm
A Max. digging height	8.585 mm	8.725 mm
B Max. dumping height	6.515 mm	6.649 mm
C Max. digging depth	4.180 mm	4.330 mm
D Max. vertical wall digging depth	3.355 mm	3.500 mm
E Max. digging reach	7.950 mm	8.100 mm
F Max. digging reach at ground level	7.650 mm	7.800 mm
G Min. swing radius (with work equipment)	3.675 mm	3.785 mm

Lifting Capacity



A – Reach from swing center

B – Bucket hook height

C – Lifting capacities, including bucket linkage and bucket cylinder

When removing linkage or cylinder, lifting capacities can be increased by their respective weights.

– Rating over front

– Rating over rear

– Rating over side

– Rating at maximum reach

Arm length	A \ B							6,0 m			4,5 m			3,0 m			
 Without stabilizer	1.850 mm	4,5 m kg	1.950	1.650	1.300	*2.200	1.950	1.550	*2.350	*2.350	*2.350						
		3,0 m kg	1.750	1.500	1.200	2.250	1.900	1.500									
		1,5 m kg	1.700	1.450	1.200	2.200	1.850	1.450									
	0,0 m kg	1.800	1.550	1.200	2.150	1.800	1.400	3.200	2.650	2.100							
	-1,5 m kg	*1.850	1.850	1.500	*2.050	1.850	1.500	3.250	2.700	2.050	*4.900	*4.900	3.800				
	2.000 mm	4,5 m kg	1.850	1.600	1.250	*2.100	1.950	1.600	*2.250	*2.250	*2.250						
3,0 m kg	1.700	1.450	1.150	2.250	1.900	1.500											
1,5 m kg	1.650	1.400	1.100	2.200	1.850	1.450											
0,0 m kg	1.800	1.500	1.200	2.150	1.800	1.400	3.200	2.650	2.100								
-1,5 m kg	*1.800	1.800	1.400	2.200	1.800	1.450	3.250	2.650	2.100	*4.550	*4.550	3.750					

 Front or rear blade	1.850 mm	4,5 m kg	*2.050	*2.050	1.600	*2.200	*2.200	1.900	*2.350	*2.350	*2.350						
		3,0 m kg	*1.900	*1.900	1.400	*2.400	*2.400	1.800									
		1,5 m kg	*1.900	*1.900	1.400	2.500	*2.700	1.800									
	0,0 m kg	*2.000	*2.000	1.500	2.450	*2.700	1.750	3.650	*4.050	2.550							
	-1,5 m kg	*1.850	*1.850	1.800	*2.050	*2.050	1.800	*3.500	*3.500	2.550	*4.900	*4.900	4.650				
	2.000 mm	4,5 m kg	*1.900	*1.900	1.500	*2.100	*2.100	1.900	*2.250	*2.250	*2.250						
3,0 m kg	*1.750	*1.750	1.350	*2.350	*2.350	1.800											
1,5 m kg	*1.700	*1.700	1.350	2.500	*2.650	1.800											
0,0 m kg	*1.850	*1.850	1.450	2.450	*2.700	1.750	3.650	*4.050	2.550								
-1,5 m kg	*1.800	*1.800	1.700	*2.300	*2.300	1.750	*3.600	*3.600	2.550	*4.550	*4.550	*4.550					

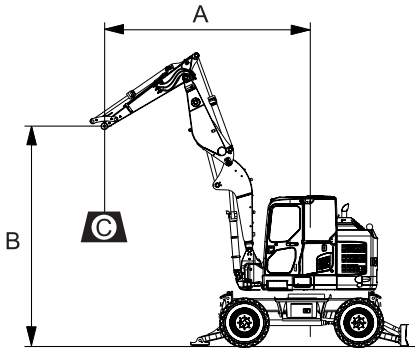
 Front outrigger	1.850 mm	4,5 m kg	*2.050	1.800	1.300	*2.200	1.900	1.550	*2.350	*2.350	*2.350						
		3,0 m kg	*1.900	1.400	1.150	*2.400	1.800	1.500									
		1,5 m kg	*1.900	1.600	1.150	*2.700	2.050	1.450									
	0,0 m kg	*2.000	1.700	1.200	*2.700	2.000	1.400	*4.050	2.950	2.050							
	-1,5 m kg	*1.850	*1.850	1.500	*2.050	*2.050	1.500	*3.500	3.000	2.100	*4.900	*4.900	3.700				
	2.000 mm	4,5 m kg	*1.900	1.500	1.250	*2.100	*2.100	1.550	*2.250	*2.250	*2.250						
3,0 m kg	*1.750	1.600	1.100	*2.350	2.100	1.500											
1,5 m kg	*1.700	1.400	1.100	*2.650	1.800	1.450											
0,0 m kg	*1.850	1.400	1.200	*2.700	1.700	1.400	*4.050	2.950	2.050								
-1,5 m kg	*1.800	*1.800	1.400	*2.300	1.700	1.450	*3.600	2.450	2.050	*4.550	*4.550	3.700					

* Load is limited by hydraulic capacity rather than tipping.

Ratings are based on SAE Standard No. J1097.

Rated loads do not exceed 87% of hydraulic lift capacity or 75% of tipping load.

When lifting with additional equipment installed to the arm, please subtract the weight of all additional equipment from the values stated.



A – Reach from swing center

B – Bucket hook height

C – Lifting capacities, including bucket linkage and bucket cylinder

When removing linkage or cylinder, lifting capacities can be increased by their respective weights.

- Rating over front
- Rating over rear
- Rating over side
- Rating at maximum reach

Arm length	B	A			6,0 m			4,5 m			3,0 m		
	1.850 mm	4,5 m	kg *2.050	*2.050	1.200	*2.200	*2.200	1.450	*2.350	*2.350	2.250		
		3,0 m	kg *1.900	*1.900	1.050	*2.400	*2.400	1.400					
		1,5 m	kg *1.900	*1.900	1.050	*2.700	*2.700	1.350					
	0,0 m	kg *2.000	*2.000	1.100	*2.700	*2.700	1.300	*4.050	*4.050	1.850			
	-1,5 m	kg *1.850	*1.850	1.350	*2.050	*2.050	1.350	*3.500	*3.500	1.950	*4.900	*4.900	3.300
	2.000 mm	4,5 m	kg *1.900	*1.900	1.150	*2.100	*2.100	1.450	*2.250	*2.250	*2.250		
3,0 m	kg *1.750	*1.750	1.050	*2.350	*2.350	1.400							
1,5 m	kg *1.700	*1.700	1.000	*2.650	*2.650	1.350							
0,0 m	kg *1.850	*1.850	1.050	*2.700	*2.700	1.300	*4.050	*4.050	1.850				
-1,5 m	kg *1.800	*1.800	1.300	*2.300	*2.300	1.350	*3.600	*3.600	1.900	*4.550	*4.550	3.300	

	1.850 mm	4,5 m	kg *2.050	*2.450	1.550	*2.200	*2.200	1.850	*2.350	*2.350	*2.350		
		3,0 m	kg *1.900	*2.050	1.400	*2.400	*2.400	1.800					
		1,5 m	kg *1.900	*1.900	1.350	*2.700	*2.700	1.750					
	0,0 m	kg *2.000	*1.900	1.500	*2.700	*2.700	1.700	*4.050	*4.050	2.500			
	-1,5 m	kg *1.850	*2.000	1.800	*2.050	*2.050	1.800	*3.500	*3.500	2.550	*4.900	*4.900	4.600
	2.000 mm	4,5 m	kg *1.900	*1.900	1.500	*2.100	*2.100	1.900	*2.250	*2.250	*2.250		
3,0 m	kg *1.750	*1.750	1.350	*2.350	*2.350	1.800							
1,5 m	kg *1.700	*1.700	1.350	*2.650	*2.650	1.750							
0,0 m	kg *1.850	*1.850	1.450	*2.700	*2.700	1.700	*4.050	*4.050	2.500				
-1,5 m	kg *1.800	*1.800	1.700	*2.300	*2.300	1.750	*3.600	*3.600	2.500	*4.550	*4.550	*4.550	

* Load is limited by hydraulic capacity rather than tipping.

Ratings are based on SAE Standard No. J1097.

Rated loads do not exceed 87% of hydraulic lift capacity or 75% of tipping load.

When lifting with additional equipment installed to the arm, please subtract the weight of all additional equipment from the values stated.

Standard and Optional Equipment

ENGINE

Komatsu SAA4D95LE-7 turbocharged common rail direct injection diesel engine	●
EU Stage IV compliant	●
Suction type cooling fan with cooler-grids integrated in side doors	●
Automatic engine warm-up system	●
Engine overheat prevention system	●
Fuel control dial	●
Auto-deceleration function	●
Adjustable idle shutdown	●
Engine key stop	●
Engine ignition can be password secured on request	●
Alternator 24 V/85 A	●
Starter motor 24 V/4,5 kW	●
Batteries 2 × 12 V/125 Ah	●

HYDRAULIC SYSTEM

Electronic closed-centre load sensing (E-CLSS) hydraulic system (HydrauMind)	●
6-working mode selection system; power mode, economy mode, breaker mode, attachment power and attachment economy mode, and lifting mode	●
Adjustable PPC wrist control levers for arm, boom, bucket and swing, with sliding proportional control for attachments and 5 auxiliary buttons, with FNR switch, control lever with FBR switch (blade/outriggers control system)	●
One additional 2-way full-flow service valve with hydraulic line for attachment on boom and arm (HCU-A)	●
Additional auxiliary hydraulic circuit and preparation for hydraulic quick-coupler (HCU-B)	●
Relieve valves on service spool	●
2nd auxiliary hydraulic circuit (HCU-C)	○
Final shut-off valve for HCU-A	○
Final shut-off valve for HCU-C	○

DRIVES AND BRAKES

Hydrostatic, 3-speed travel system, hydraulic service and parking brakes	●
Oscillating front axle (± 6°) with automatic and manual cylinder locking	●
Cruise control	●
20, 25 and 30 km/h speed limitation	○

CABIN

Large roof window, pull-up type front window with locking device, removable lower window, front window wiper with intermittent feature, cigarette lighter, floor mat	●
Suspended seat with adjustable arm rests, and retractable seat belt	●
Automatic climate control system	●
24 Volt power supply	●
Beverage holder	●
Radio pre-setting	●
Radio with Bluetooth	●
Rain visor	●
2 × 12 Volt power supply	○

LIGHTING SYSTEM

4 front working lights on cab (halogen)	●
2 working lights on boom (halogen)	●
Front and rear lights on upper frame (for road traffic)	●
2 side working lights (halogen) + 1 rear working light (halogen) for KomVision cameras	●
4 front working lights on cab (LED)	○
4 working lights on boom (LED)	○

SAFETY EQUIPMENT

Electric horn	●
Overload warning device	●
Audible travel alarm	●
Boom safety valves	●
Large handrails, rear-view mirrors	●
Battery main switch	●
ROPS compliant to ISO 12117-2:2008	●
Emergency engine stop switch	●
Seat belt caution indicator	●
Neutral position detection system	●
Arm safety valve	●
Lateral mirror (right side)	●
Rotating beacon	●
KomVision surround view system	●
OPG Level II top guard	○
Audible travel alarm (white noise version)	○

UNDERCARRIAGE

Twin tyres 9-20	●
Single tyres 18-19.5	○
Front blade and rear outriggers	○
Parallel blade (front or rear)	○
2 or 4 outriggers, individually adjustable	○
Fenders	○

SERVICE AND MAINTENANCE

Automatic fuel line de-aeration	●
Double element type air cleaner with dust indicator and auto dust evacuator	●
KOMTRAX – Komatsu wireless monitoring system (3G)	●
Multifunction video compatible colour monitor with Equipment Management and Monitoring System (EMMS) and efficiency guidance	●
Toolkit	●
Remote greasing for swing circle and pins	●

WORK EQUIPMENT

Two-piece boom with cylinder protection	●
1.850 mm arm	●
2.000 mm arm	○
Bucket range (300 - 1.000 mm)	○
1.800 mm ditch cleaning bucket	○
2.100 mm ditch digging bucket (45°)	○
Bucket linkage with lifting hook	○

OTHER EQUIPMENT

Standard counterweight	●
Electric refuelling pump with automatic shut-off function	●
Biodegradable oil for hydraulic system	○
Customised paint	○
Clamshell grip bar	○
Additional chassis tool box (r.h.)	○

Further equipment on request

- standard equipment
- optional equipment

Your Komatsu partner:

KOMATSU

**Komatsu Europe
International N.V.**

Mechelsesteenweg 586
B-1800 VILVOORDE (BELGIUM)
Tel. +32-2-255 24 11
Fax +32-2-252 19 81
www.komatsu.eu

WENSS08100 11/2017

KOMATSU is a trademark of Komatsu Ltd. Japan.