

KOMATSU

PC490HRD-11



High reach demolition

Engine power
270 kW / 362 HP @ 1900 rpm

Operating weight
55200 - 75830 kg

Max attachment weight
Medium reach demolition: 5000 kg
High reach demolition: 3350 kg
Extended high reach demolition: 2000 - 2500 kg

Specifications

Engine

Model	Komatsu SAA6D125E-7
Type	Common rail direct injection, water-cooled, emissionised, turbocharged, after-cooled diesel
Engine power	
at rated engine speed	1900 rpm
ISO 14396	270 kW / 362 HP
ISO 9249 (net engine power)	268 kW / 359 HP
No of cylinders	6
Bore × stroke	125 × 150 mm
Displacement	11.04 l
Air filter type	Double element type with monitor panel dust indicator and auto dust evacuator
Fan drive type	Hydraulic, reversible
Fuel	Diesel fuel, conforming to EN590 Class 2/Grade D Paraffinic fuel capability (HVO, GTL, BTL), conforming to EN 15940:2016

Hydraulic system

Type	HydrauMind Closed-centre system with load sensing and pressure compensation valves
Additional circuits	2 additional circuits with proportional control are installed
Main pump	2 variable displacement piston pumps supplying boom, arm, bucket, swing and travel circuits
Maximum pump flow	2 × 345 l/min
Relief valve settings	
Implement	380 kg/cm ²
Travel	380 kg/cm ²
Swing	285 kg/cm ²
Pilot circuit	33 kg/cm ²

Service refill capacities

Fuel tank	650 l
Radiator	47.0 l
Engine oil	37.0 l
Swing drive	20.0 l
Hydraulic tank	248 l
Final drive (each side)	10.5 l
AdBlue® tank	39.0 l

Swing system

Type	Axial piston motor driving through planetary double reduction gearbox
Swing lock	Electrically actuated wet multidisc brake integrated into swing motor
Swing speed (restricted MR/HRD)	0 - 9.6 (3.3) rpm
Swing torque	132 kNm

Drives and brakes

Steering control	2 levers with pedals giving full independent control of each track
Drive method	Hydrostatic
Travel operation	Automatic 3-speed selection
Max travel speeds	
Lo / Mi / Hi	3.0 / 4.2 / 5.5 km/h
Maximum drawbar pull	34000 kg
Brake system	Hydraulically operated discs in each travel motor

Undercarriage

Construction	X-frame centre section with box section track frames
Track assembly	
Type	Fully sealed
Shoes (each side)	49
Tension	Combined spring and hydraulic unit
Rollers	
Track rollers (each side)	LC: 8 / HWG: 9
Carrier rollers (each side)	LC: 2 / HWG: 3

Environment

Engine emissions	Fully complies with EU Stage V exhaust emission regulations
Noise levels	
LwA external	107 dB(A) (2000/14/EC Stage II)
LpA operator ear	71 dB(A) (ISO 6396 dynamic test)
Vibration levels (EN 12096:1997)	
Hand/arm	≤ 2.5 m/s ² (uncertainty K = 0.25 m/s ²)
Body	≤ 0.5 m/s ² (uncertainty K = 0.25 m/s ²)
Contains fluorinated greenhouse gas HFC-134a (GWP 1430)	
Quantity of gas 0.8 kg; CO ₂ equivalent 11.4 t	

Operating weight (appr.) with standard boom change system

Triple grouser shoes	Extended high reach demolition		High reach demolition		Medium reach demolition		Excavation boom	
	Operating weight	Ground pressure	Operating weight	Ground pressure	Operating weight	Ground pressure	Operating weight	Ground pressure
600 mm	-	-	65400 kg	1.19 kg/cm ²	66750 kg	1.22 kg/cm ²	55200 kg	1.01 kg/cm ²
700 mm	-	-	65900 kg	1.03 kg/cm ²	67250 kg	1.05 kg/cm ²	55700 kg	0.87 kg/cm ²
700 mm HWG	73400 kg	1.07 kg/cm ²	71250 kg	1.04 kg/cm ²	72650 kg	1.06 kg/cm ²	61050 kg	0.89 kg/cm ²
Attachment weight	2000 kg		3350 kg		5000 kg		1915 kg (bucket)	

Operating weight, including specified work equipment, operator, lubricant, coolant, full fuel tank and the standard equipment

Operating weight (appr.) with K100 quick boom change system

Triple grouser shoes	Extended high reach demolition		High reach demolition		Medium reach demolition		Excavation boom	
	Operating weight	Ground pressure	Operating weight	Ground pressure	Operating weight	Ground pressure	Operating weight	Ground pressure
600 mm	-	-	67420 kg	1.23 kg/cm ²	69050 kg	1.26 kg/cm ²	62105 kg	1.13 kg/cm ²
700 mm	-	-	67920 kg	1.06 kg/cm ²	69550 kg	1.09 kg/cm ²	62605 kg	0.98 kg/cm ²
700 mm HWG	75830 kg	1.10 kg/cm ²	72820 kg	1.06 kg/cm ²	74400 kg	1.08 kg/cm ²	67455 kg	0.98 kg/cm ²
Attachment weight	2500 kg		3350 kg		5000 kg		1915 kg (bucket)	

Operating weight, including specified work equipment, operator, lubricant, coolant, full fuel tank and the standard equipment



Safety first

- Hydraulically adjustable heavy duty undercarriage
- Graphical working range indication, with integrated arm end camera display
- Optional arm end camera
- KomVision surround view system
- Neutral position detection system
- Fully regulation compliant tilting cab

Maximum versatility

- Komatsu standard powered pin connection system
- Optional K100 quick boom connection system
- 6 different working arrangements
- Boom extension for extended high reach or extended digging boom working

First-class comfort

- Fully air-suspended operator station
- Low-noise design
- Wrist controller mounted auxiliary controls

Quality you can rely on

- Heavy duty demolition structure
- Komatsu quality components

Komtrax

- Komatsu wireless monitoring system
- 4G mobile communications
- Integrated communication antenna



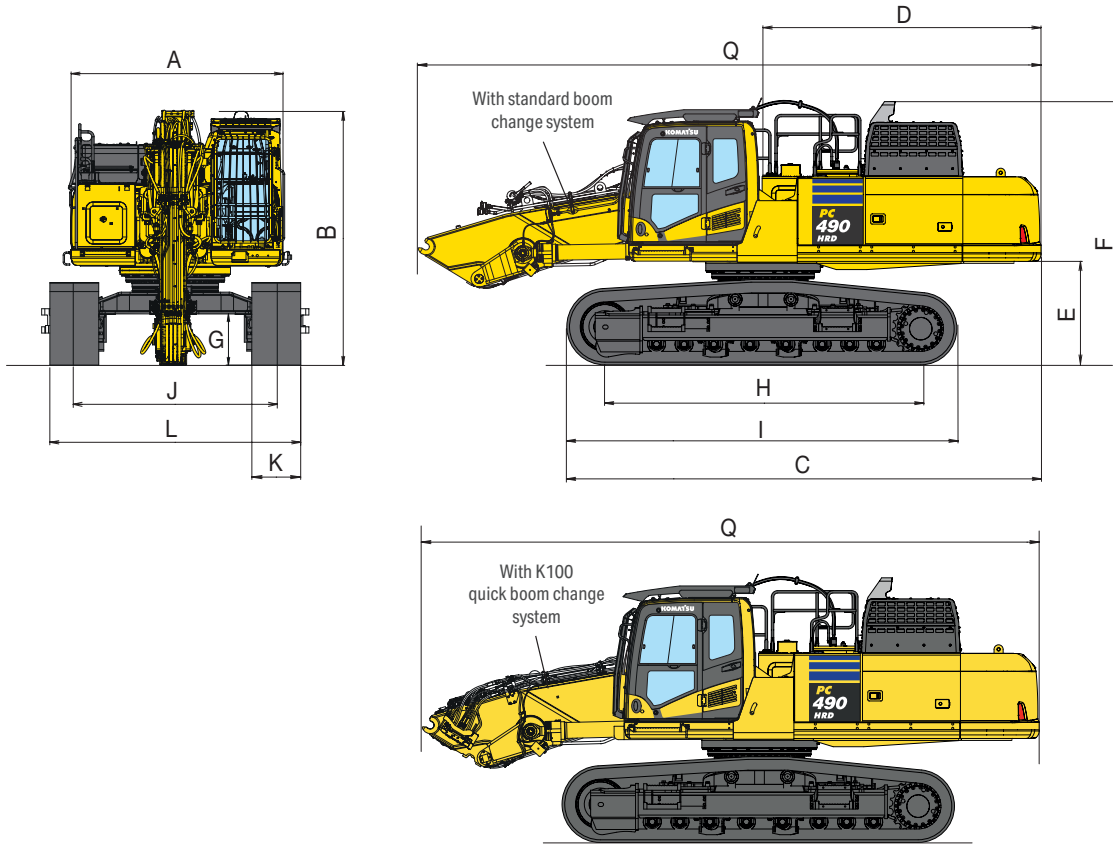
K100 quick boom change system





K100 quick boom change system (option)
Includes Komatsu hands free boom connections, with advanced human machine interface safety system. Low profile equipment storage stands included.

Basic dimensions



Transport dimensions

Undercarriage	LC	HWG
A Overall width of upper structure ¹⁾	2995 mm	2995 mm
B Overall height of cab, with FOPS	3570 mm	3600 mm
Overall height of cab, without FOPS	3360 mm	3390 mm
C Overall length of basic machine	6525 mm	6690 mm
D Tail length	3830 mm	3830 mm
E Clearance under counterweight	1385 mm	1415 mm
F Machine tail height	3630 mm	3660 mm
G Ground clearance	700 mm	500 mm
H Tumbler centre distance	4350 mm	4680 mm
I Track length	5385 mm	5695 mm
J Track gauge ²⁾	2390 - 2890 mm	2280 - 3280 mm
K Track shoe width	600 mm, 700 mm	700 mm
L Overall track width with 600 mm shoes ²⁾	2990 - 3490 mm	-
Overall track width with 700 mm shoes ²⁾	3090 - 3590 mm	2980 - 3980 mm
Q Transport length	8445 mm	8445 mm
Transport weight (600 mm shoe)	47050 kg ³⁾ / 52750 kg ⁴⁾	-
Transport weight (700 mm shoe)	47550 kg ³⁾ / 53250 kg ⁴⁾	52900 kg ³⁾ / 58150 kg ⁴⁾

¹⁾ Overall width of upper structure excludes side guards, handrails and mirrors. Side guards can be removed if transport width of less than 3 m is required

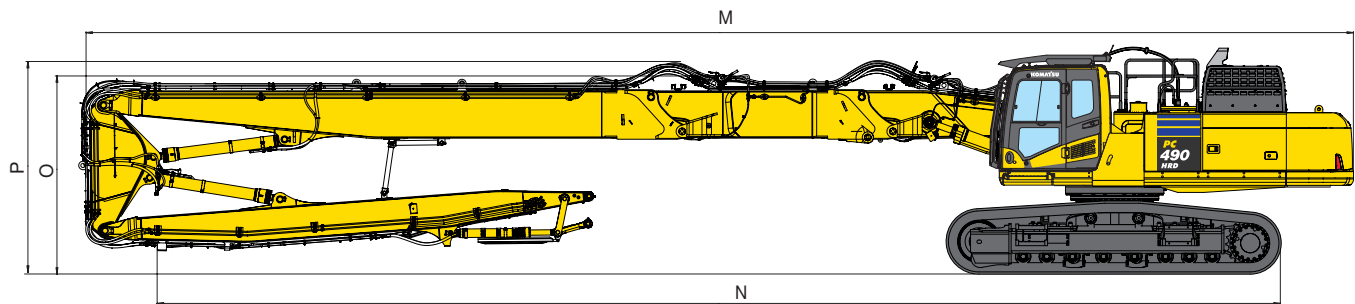
²⁾ Undercarriage in retracted – extended position

³⁾ Transport weight with standard boom change system, excluding additional counterweight

⁴⁾ Transport weight with K100 boom change system, including single piece counterweight

Transport dimensions

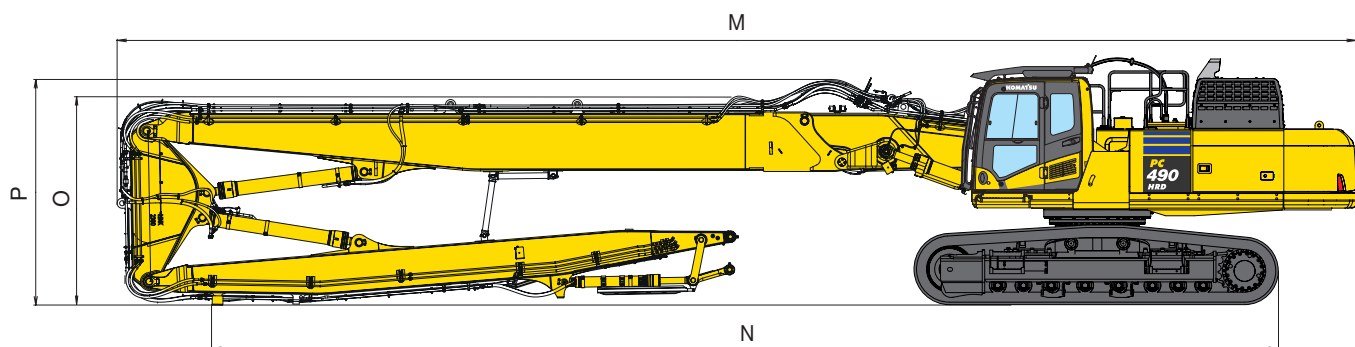
Extended high reach demolition



	With standard boom change system	With K100 quick boom change system
M Overall transport length	23215 mm	23170 mm
N Transport length on ground	21720 mm	20495 mm
O Transport height (to top of boom)	3320 mm	3310 mm
P Transport height (to top of hose)	3600 mm	3310 mm
Transport weight (HWG undercarriage, 700 mm shoes)	71325 kg ¹⁾	73255 kg

¹⁾ including additional counterweight

High reach demolition

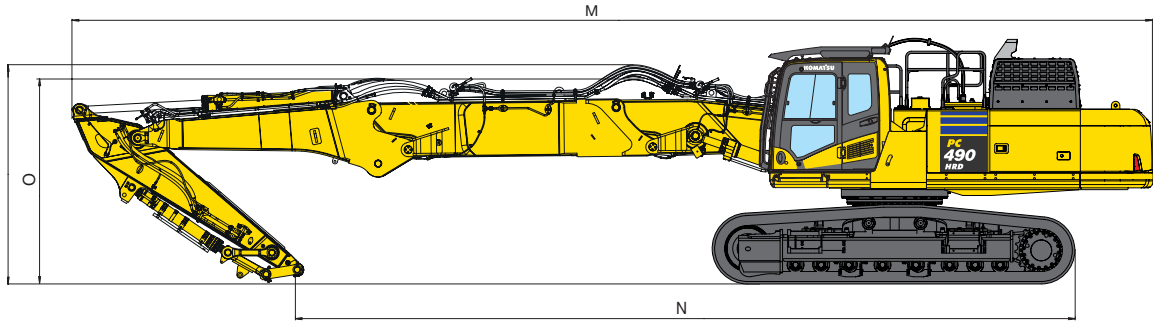


	With standard boom change system	With K100 quick boom change system
M Overall transport length	19215 mm	19170 mm
N Transport length on ground	16540 mm	16325 mm
O Transport height (to top of boom)	3320 mm	3310 mm
P Transport height (to top of hose)	3550 mm	3310 mm
Transport weight (HWG undercarriage, 700 mm shoes)	67825 kg ¹⁾	69395 kg

¹⁾ including additional counterweight

Transport dimensions

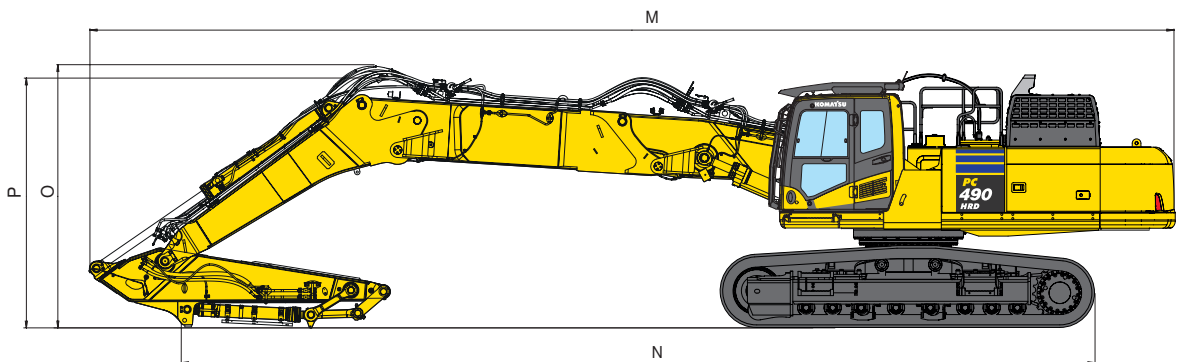
Medium reach demolition – straight position



	With standard boom change system	With K100 quick boom change system
M Overall transport length	17250 mm	17250 mm
N Transport length on ground	12980 mm	12980 mm
O Transport height (to top of boom)	3420 mm	3515 mm
P Transport height (to top of hose)	3590 mm	3515 mm
Transport weight (HWG undercarriage, 700 mm shoes)	67575 kg ¹⁾	69325 kg

¹⁾ including additional counterweight

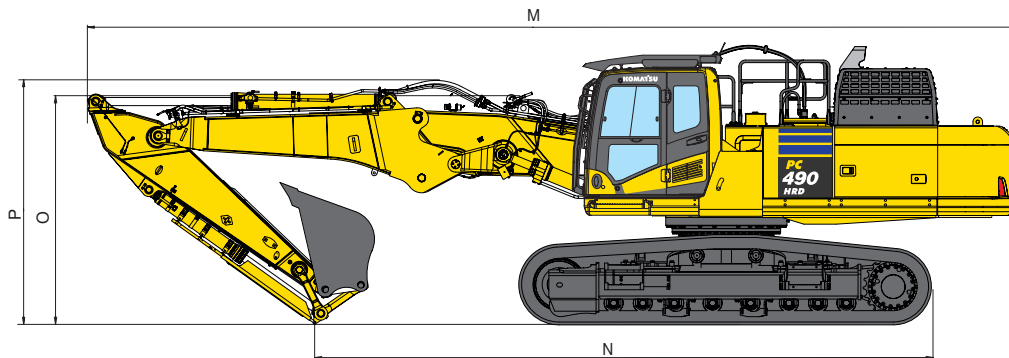
Medium reach demolition – cranked position



	With standard boom change system	With K100 quick boom change system
M Overall transport length	16480 mm	16480 mm
N Transport length on ground	11935 mm	11935 mm
O Transport height (to top of boom)	3700 mm	3700 mm
P Transport height (to top of hose)	3975 mm	3700 mm
Transport weight (HWG undercarriage, 700 mm shoes)	67575 kg ¹⁾	69325 kg

¹⁾ including additional counterweight

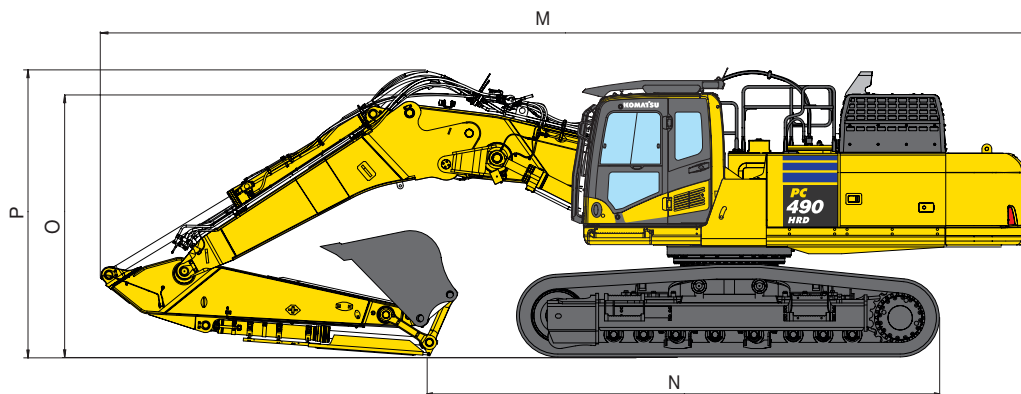
Excavation boom – straight position



	With standard boom change system	With K100 quick boom change system
M Overall transport length	13210 mm	13210 mm
N Transport length on ground	8690 mm	8690 mm
O Transport height (to top of boom)	3215 mm	3515 mm
P Transport height (to top of hose)	3750 mm	3515 mm
Transport weight (HWG undercarriage, 700 mm shoes, incl 1915 kg bucket)	60975 kg ¹⁾	67380 kg

¹⁾ including additional counterweight

Excavation boom – cranked position

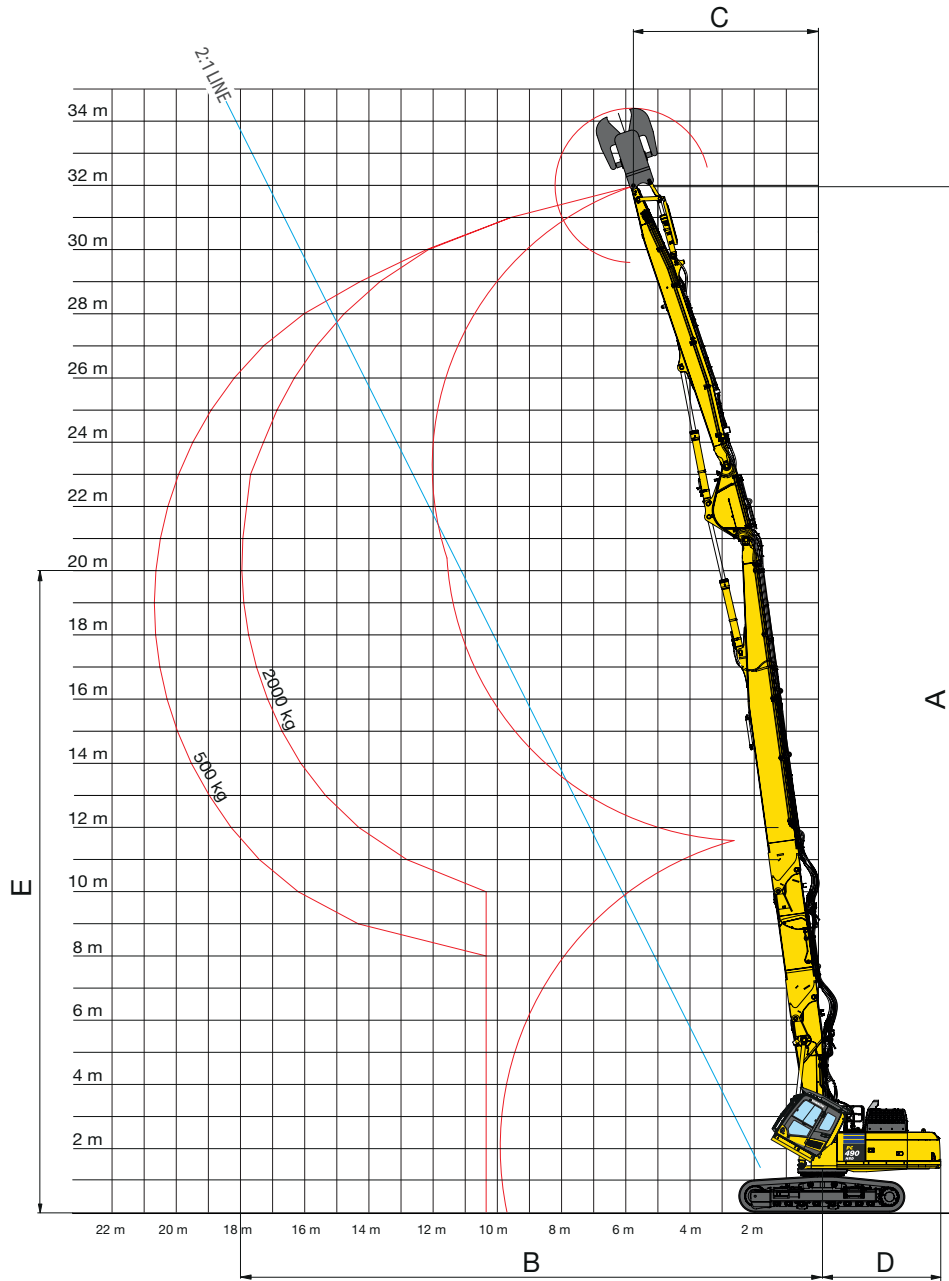


	With standard boom change system	With K100 quick boom change system
M Overall transport length	12565 mm	12565 mm
N Transport length on ground	6820 mm	6820 mm
O Transport height (to top of boom)	3700 mm	3610 mm
P Transport height (to top of hose)	3980 mm	3610 mm
Transport weight (HWG undercarriage, 700 mm shoes, incl 1915 kg bucket)	60975 kg ¹⁾	67380 kg

¹⁾ including additional counterweight

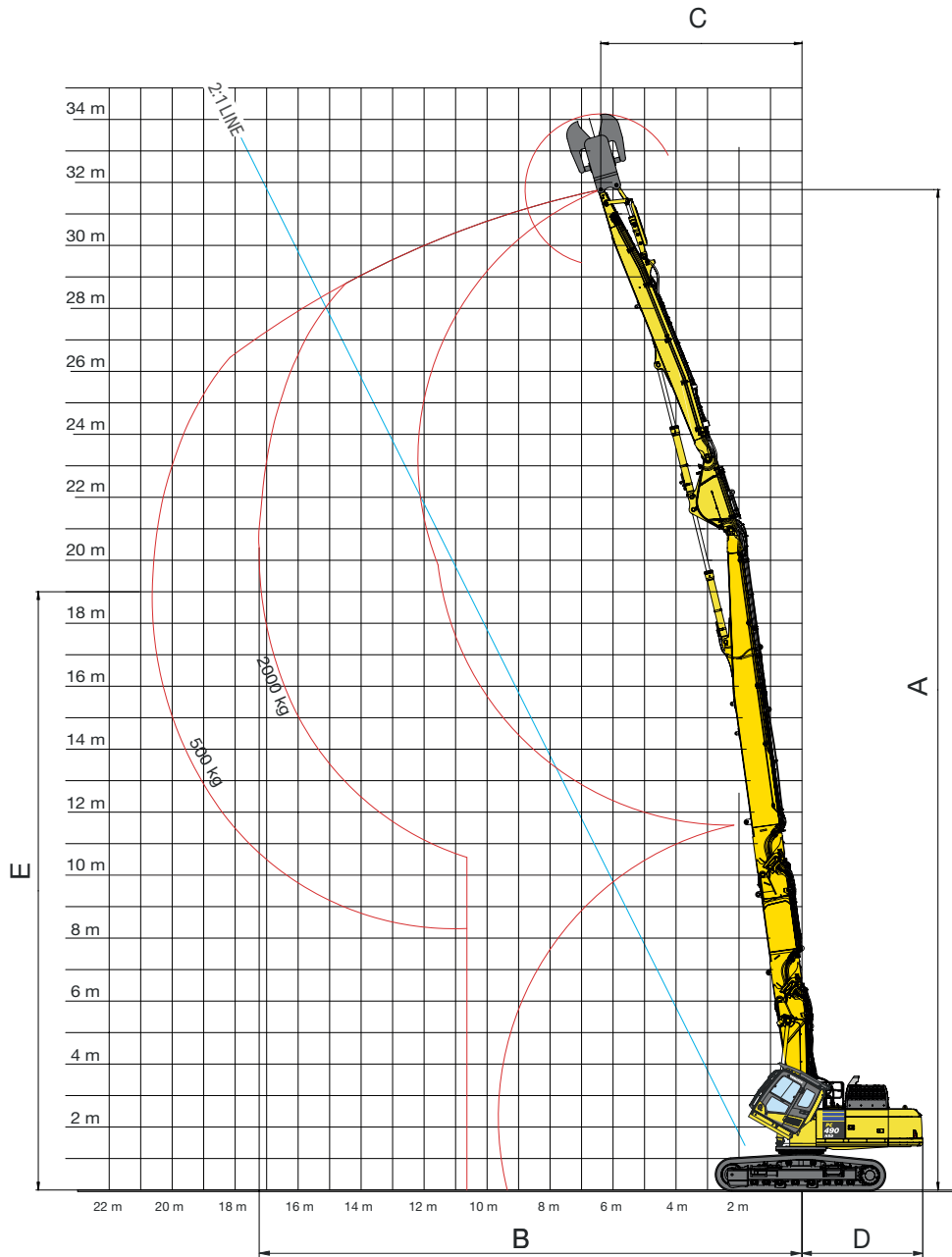
Working range

Extended high reach demolition



Extended high reach demolition	LC undercarriage		HWG undercarriage	
	Over front	Over side	Over front	Over side
A Max height (to pin at arm end)	-	-	32000 mm	32000 mm
B Max forward reach (max tool weight)	-	-	18000 mm	16450 mm
C Min swing radius of arm end pin at max height	-	-	5800 mm	5800 mm
D Tail swing radius	-	-	3860 mm	3860 mm
E Height at max reach	-	-	20000 mm	20000 mm
Reach at max height (2:1 line)	-	-	15000 mm	14650 mm
Max height (2:1 line)	-	-	27800 mm	26900 mm

**Extended high reach demolition
with K100 quick boom change system**



Extended high reach demolition

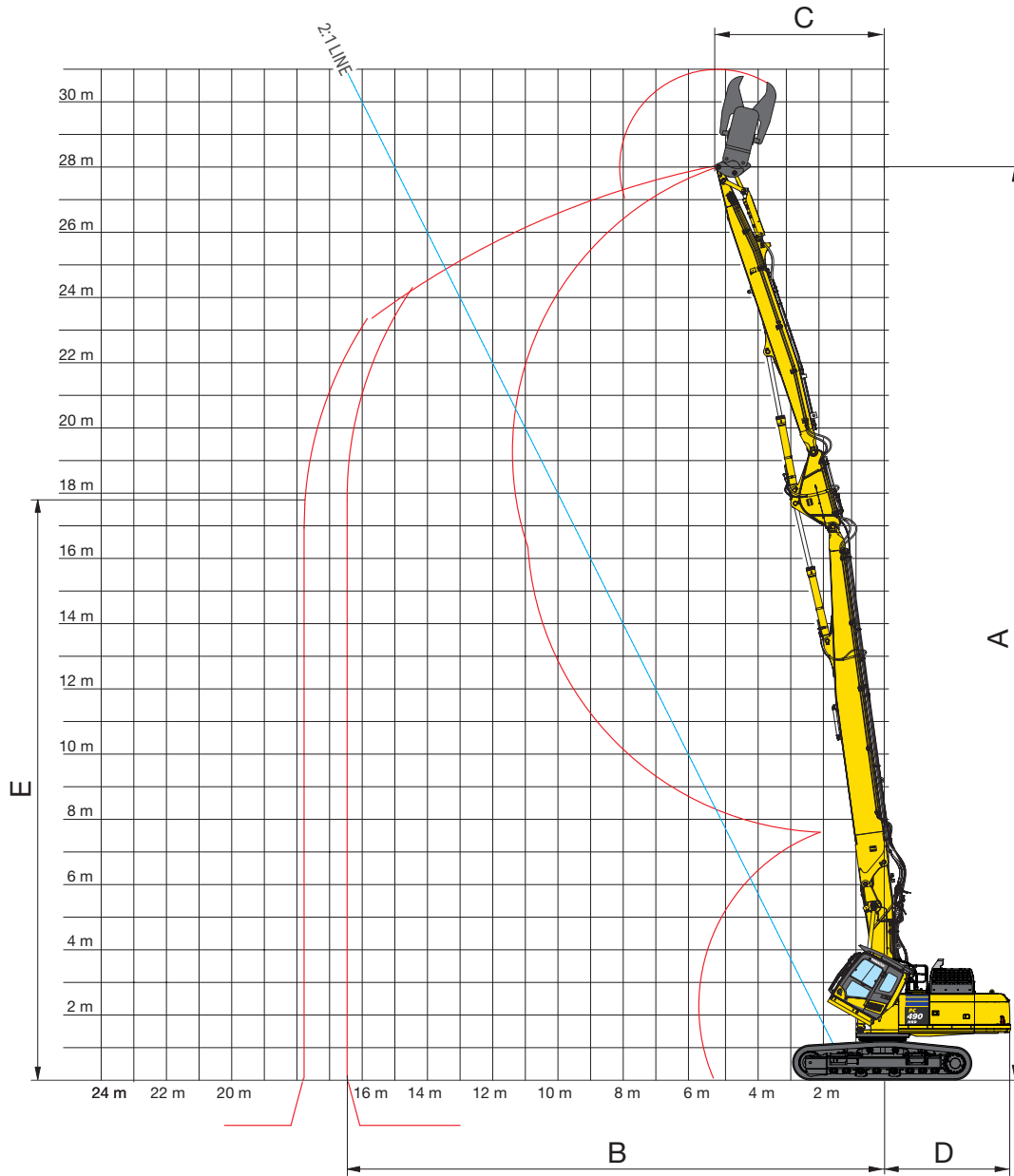
LC undercarriage

HWG undercarriage

	LC undercarriage		HWG undercarriage	
	Over front	Over side	Over front	Over side
A Max height (to pin at arm end)	-	-	31775 mm	31775 mm
B Max forward reach (max tool weight)	-	-	17235 mm	15595 mm
C Min swing radius of arm end pin at max height	-	-	6390 mm	6390 mm
D Tail swing radius	-	-	3860 mm	3860 mm
E Height at max reach	-	-	18980 mm	19880 mm
Reach at max height (2:1 line)	-	-	15275 mm	15275 mm
Max height (2:1 line)	-	-	28350 mm	28350 mm

Working range

High reach demolition



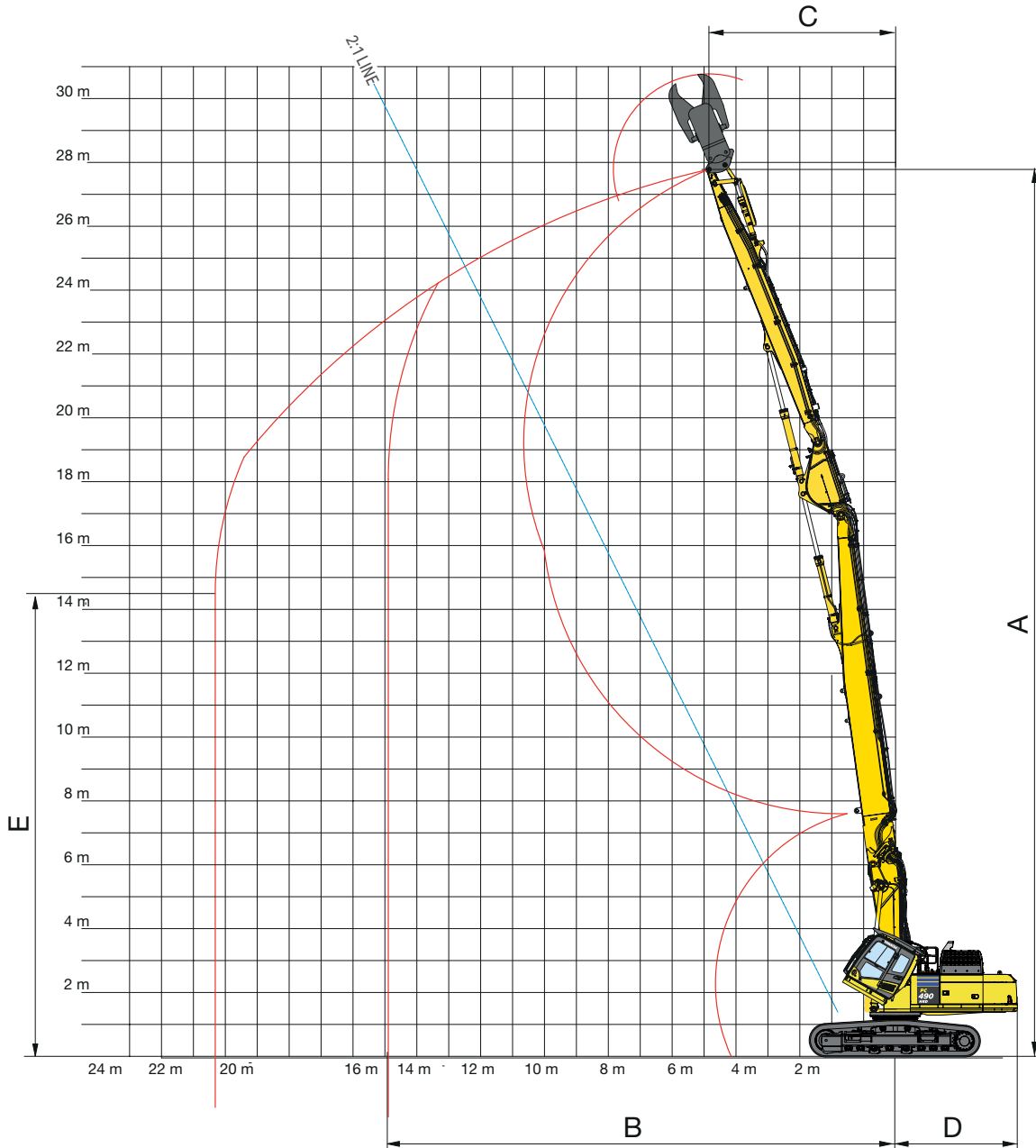
High reach demolition

LC undercarriage

HWG undercarriage

	Over front	Over side	Over front	Over side
A Max height (to pin at arm end)	28000 mm	28000 mm	28030 mm	28030 mm
B Max forward reach (max tool weight)	16500 mm	14350 mm	17325 mm	14975 mm
C Min swing radius of arm end pin at max height	5250 mm	5250 mm	5250 mm	5250 mm
D Tail swing radius	3860 mm	3860 mm	3860 mm	3860 mm
E Height at max reach	17795 mm	16950 mm	16150 mm	16875 mm
Reach at max height (2:1 line)	13465 mm	12900 mm	13530 mm	13200 mm
Max height (2:1 line)	24925 mm	23575 mm	24850 mm	24175 mm

**High reach demolition
with K100 quick boom change system**



High reach demolition

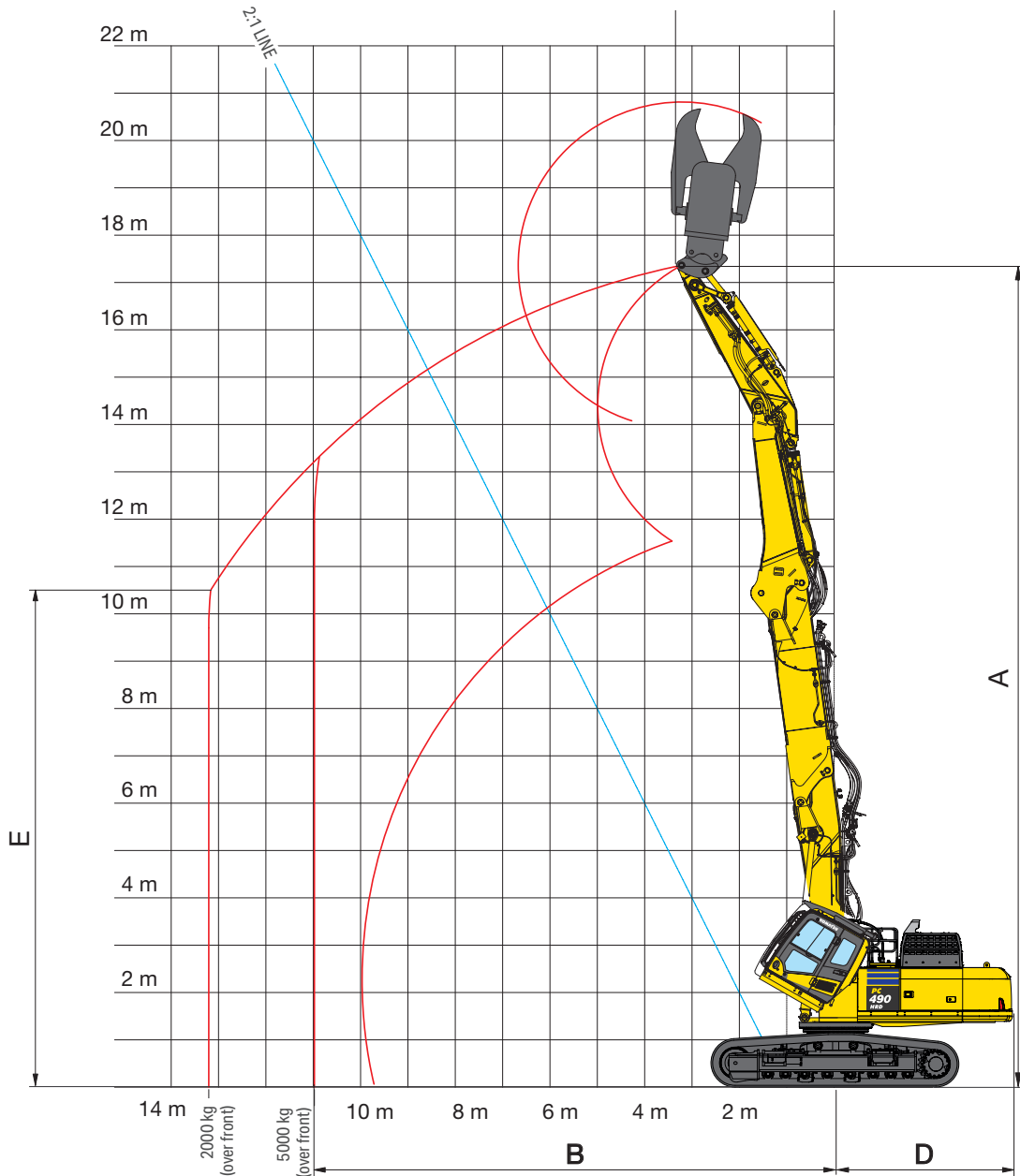
LC undercarriage

HWG undercarriage

	Over front	Over side	Over front	Over side
A Max height (to pin at arm end)	27780 mm	27780 mm	27810 mm	27810 mm
B Max forward reach (max tool weight)	15895 mm	13715 mm	16725 mm	14370 mm
C Min swing radius of arm end pin at max height	5845 mm	5845 mm	5845 mm	5845 mm
D Tail swing radius	3860 mm	3860 mm	3860 mm	3860 mm
E Height at max reach	14495 mm	16690 mm	13385 mm	16150 mm
Reach at max height (2:1 line)	13490 mm	13490 mm	13490 mm	13490 mm
Max height (2:1 line)	24745 mm	24745 mm	24775 mm	24775 mm

Working range

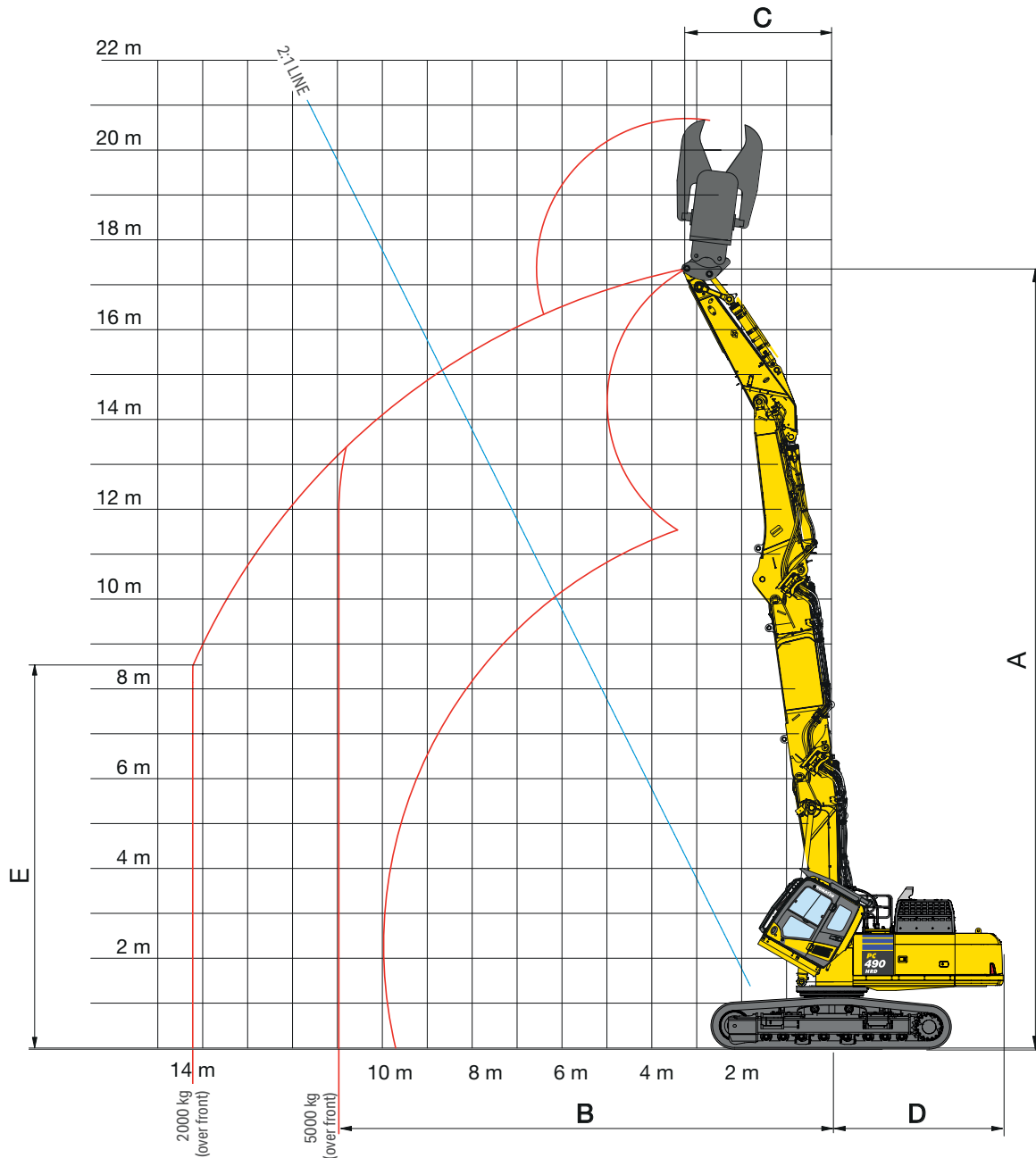
Medium reach demolition – straight position



Medium reach demolition – straight position

	LC undercarriage		HWG undercarriage	
	Over front	Over side	Over front	Over side
A Max height (to pin at arm end)	17365 mm	17365 mm	17395 mm	17395 mm
B Max forward reach (max tool weight)	11000 mm	9400 mm	11650 mm	10000 mm
C Min swing radius of arm end pin at max height	3220mm	3220mm	3220 mm	3220 mm
D Tail swing radius	3860 mm	3860 mm	3860 mm	3860 mm
E Height at max reach	11940 mm	13000 mm	11425 mm	12660 mm
Reach at max height (2:1 line)	8580 mm	8580 mm	8675 mm	8675 mm
Max height (2:1 line)	15160 mm	15160 mm	15130 mm	15130 mm

Medium reach demolition – straight position with K100 quick boom change system



Medium reach demolition – straight position

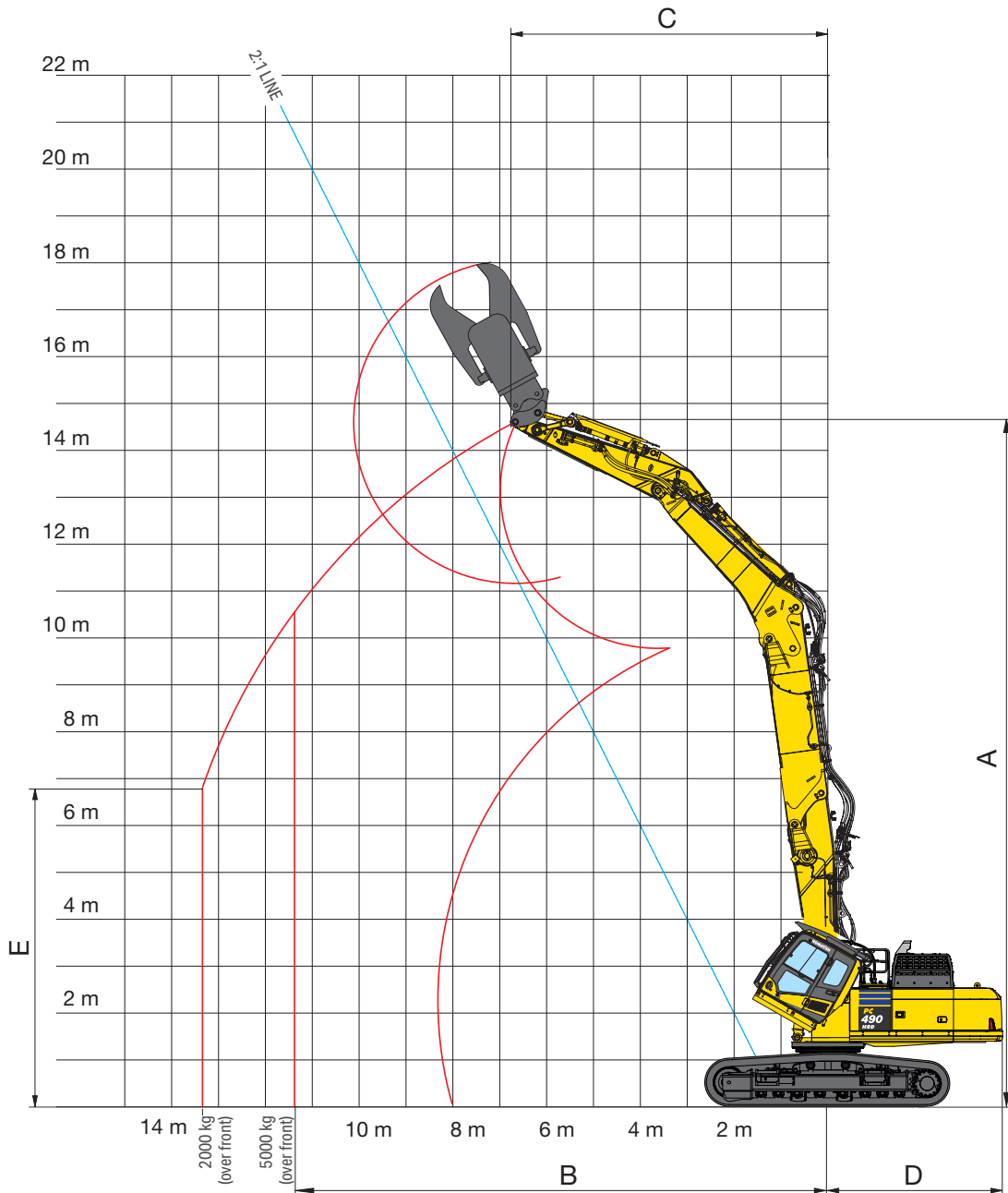
LC undercarriage

HWG undercarriage

	Over front	Over side	Over front	Over side
A Max height (to pin at arm end)	17365 mm	17365 mm	17395 mm	17395 mm
B Max forward reach (max tool weight)	10970 mm	9445 mm	11630 mm	10020 mm
C Min swing radius of arm end pin at max height	3230mm	3230 mm	3230 mm	3230 mm
D Tail swing radius	3860 mm	3860 mm	3860 mm	3860 mm
E Height at max reach	8145 mm	10715 mm	6180 mm	9890 mm
Reach at max height (2:1 line)	8580 mm	8580 mm	8665 mm	8665 mm
Max height (2:1 line)	15160 mm	15160 mm	15130 mm	15130 mm

Working range

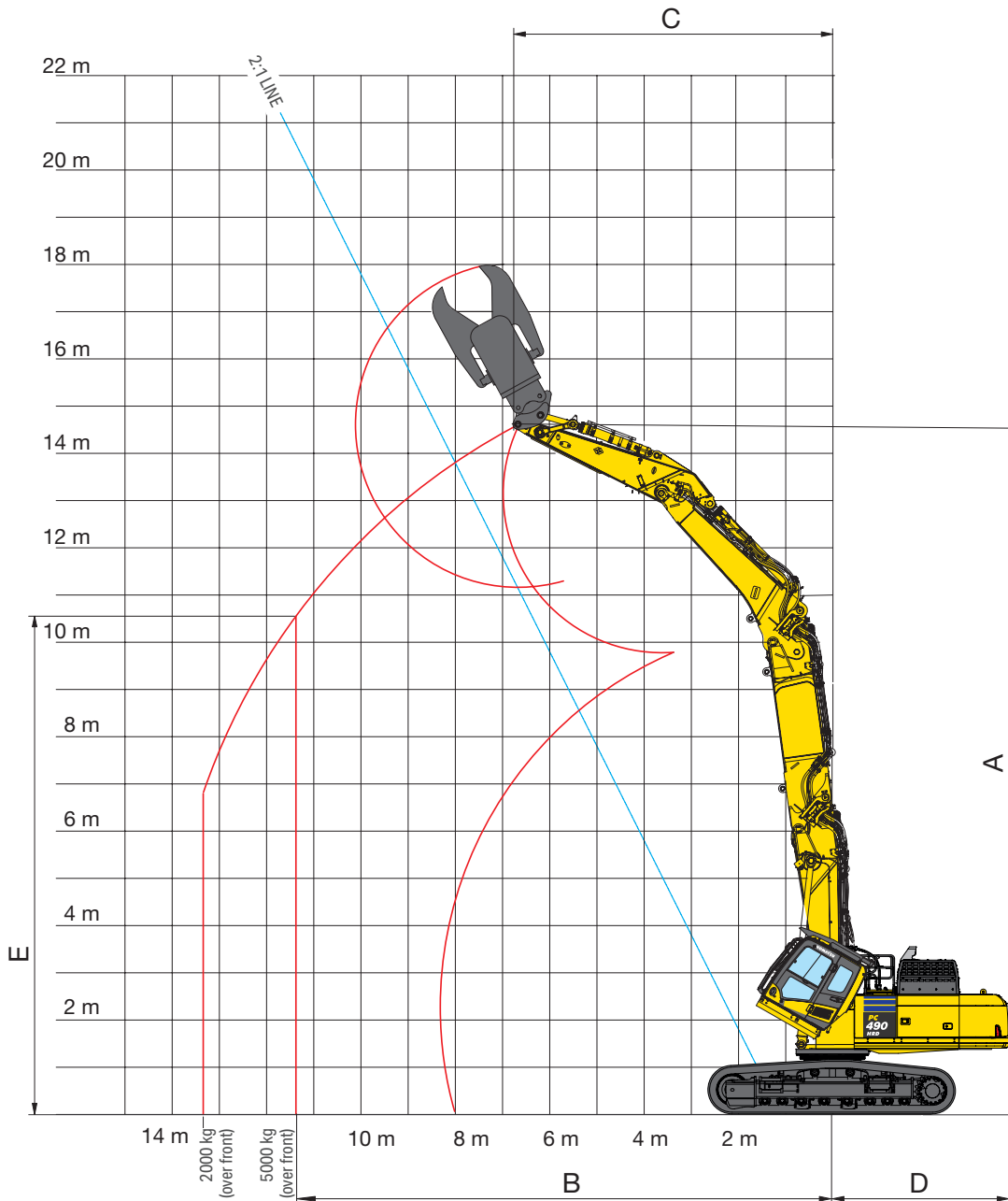
Medium reach demolition – cranked position



Medium reach demolition – cranked position

	LC undercarriage		HWG undercarriage	
	Over front	Over side	Over front	Over side
A Max height (to pin at arm end)	14610 mm	14610 mm	14640 mm	14640 mm
B Max forward reach (max tool weight)	11400 mm	9900 mm	12000 mm	10500 mm
C Min swing radius of arm end pin at max height	6670 mm	6670 mm	6670 mm	6670 mm
D Tail swing radius	3860 mm	3860 mm	3860 mm	3860 mm
E Height at max reach	10550 mm	12260 mm	9670 mm	11750 mm
Reach at max height (2:1 line)	7930 mm	7930 mm	8025 mm	8025 mm
Max height (2:1 line)	13855 mm	13855 mm	13820 mm	13820 mm

Medium reach demolition – cranked position with K100 quick boom change system



Medium reach demolition – cranked position

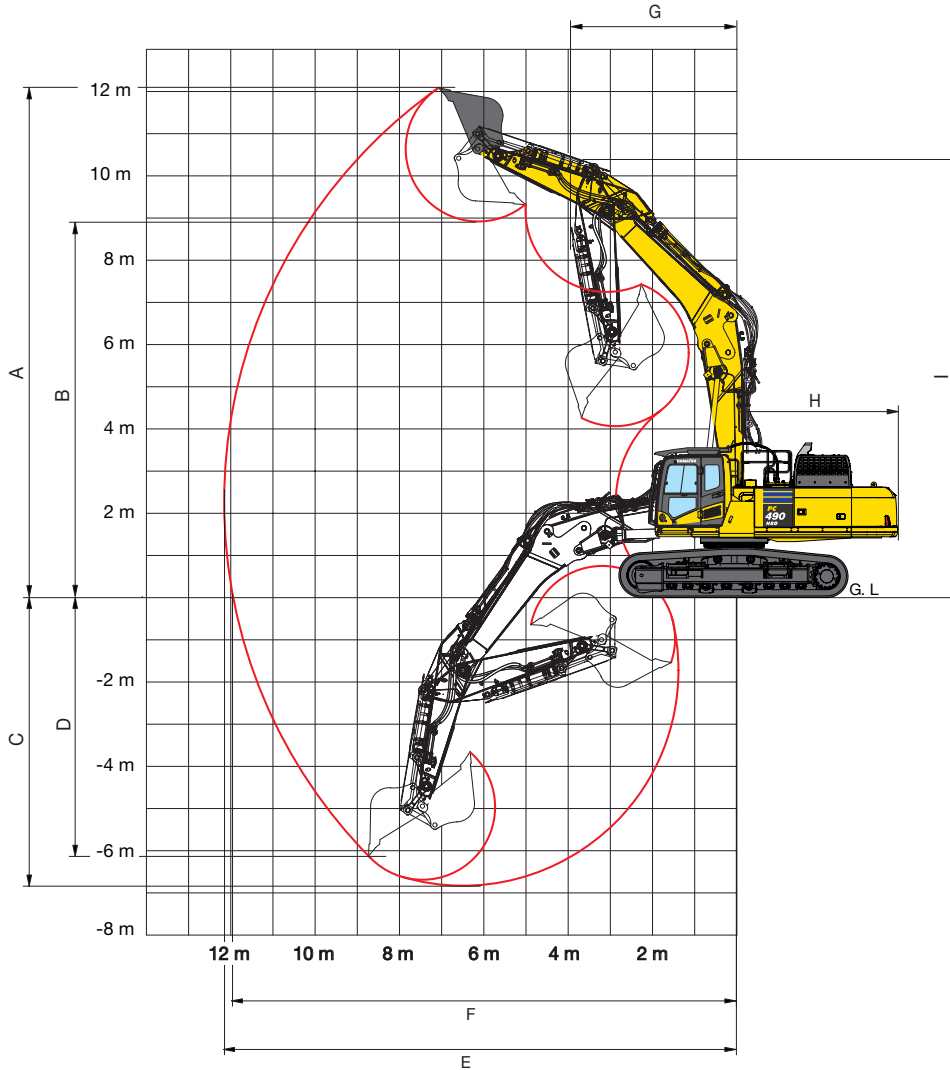
LC undercarriage

HWG undercarriage

	Over front	Over side	Over front	Over side
A Max height (to pin at arm end)	14605 mm	14605 mm	14640 mm	14640 mm
B Max forward reach (max tool weight)	11410 mm	9975 mm	12020 mm	10530 mm
C Min swing radius of arm end pin at max height	6670 mm	6670 mm	6670 mm	6670 mm
D Tail swing radius	3860 mm	3860 mm	3860 mm	3860 mm
E Height at max reach	10505 mm	8330 mm	9630 mm	7005 mm
Reach at max height (2:1 line)	7930 mm	7930 mm	8025 mm	8025 mm
Max height (2:1 line)	13855 mm	13855 mm	13820 mm	13820 mm

Working range

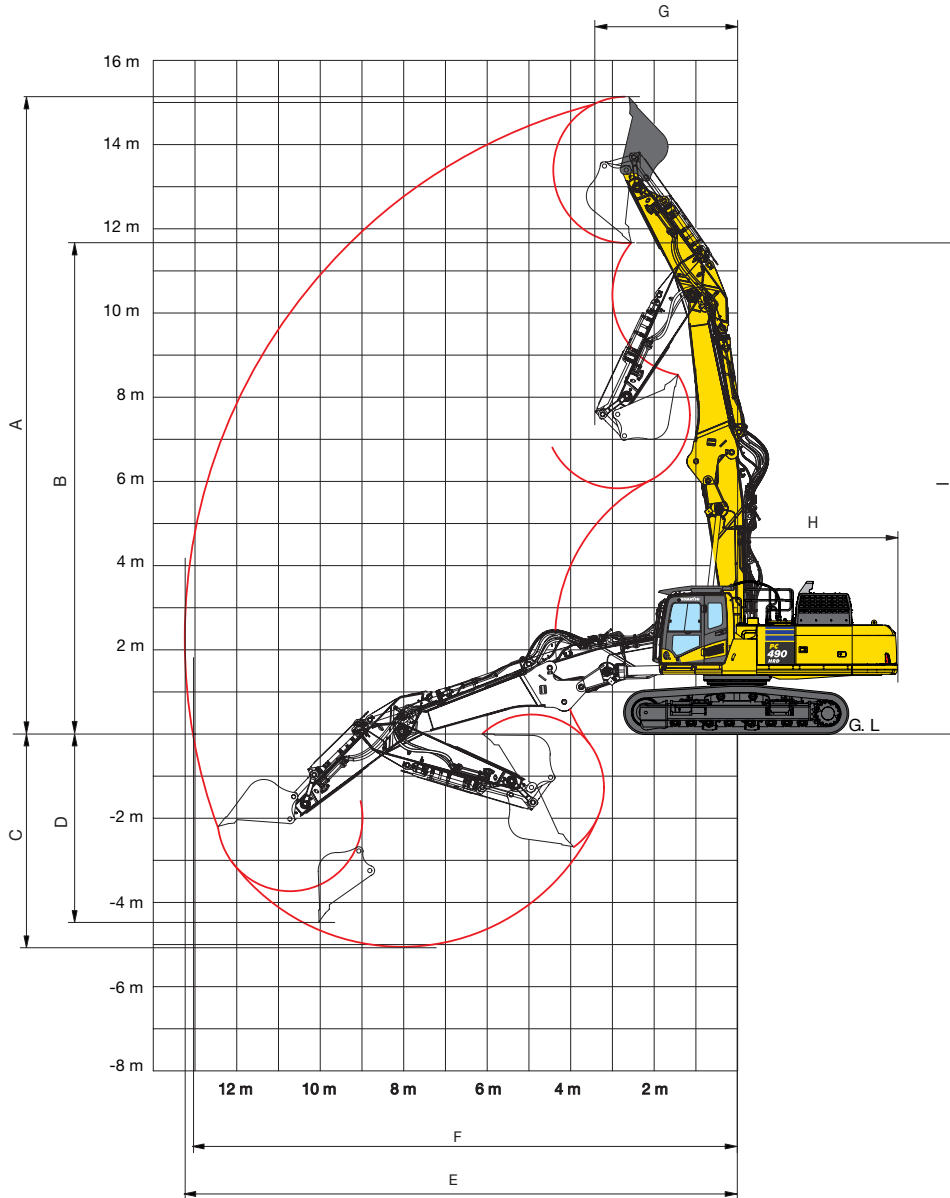
Excavation boom – cranked position



Arm length 3.4 m

Undercarriage	With standard boom change system		With K100 quick boom change system	
	LC	HWG	LC	HWG
A Max. digging height	12090 mm	12120 mm	12090 mm	12120 mm
B Max. dumping height	9330 mm	9360 mm	9330 mm	9360 mm
C Max. digging depth	6830 mm	6800 mm	6830 mm	6800 mm
D Max. vertical wall digging depth	6175 mm	6145 mm	6175 mm	6145 mm
E Max. digging reach	12155 mm	12155 mm	12155 mm	12155 mm
F Max. digging reach at ground level	11940 mm	11935 mm	11940 mm	11935 mm
G Min. swing radius (bucket loaded)	3840 mm	3840 mm	3840 mm	3840 mm
H Tail swing radius	3860 mm	3860 mm	3860 mm	3860 mm
I Max. height at min. swing radius	10195 mm	10215 mm	10195 mm	10215 mm

Excavation boom – straight position



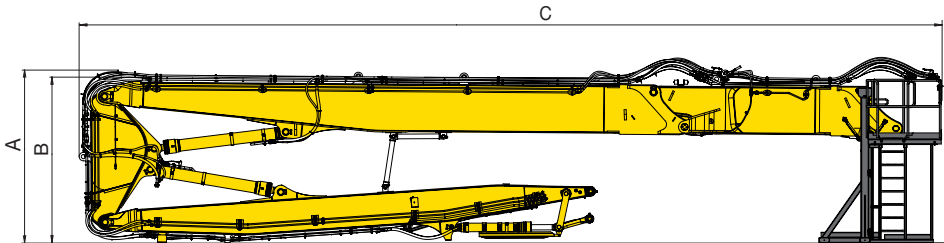
Arm length 3.4 m

	With standard boom change system		With K100 quick boom change system	
	LC	HWG	LC	HWG
Undercarriage				
A Max. digging height	15075 mm	15105 mm	15075 mm	15105 mm
B Max. dumping height	11600 mm	11630 mm	11600 mm	11630 mm
C Max. digging depth	5120 mm	5090 mm	5120 mm	5090 mm
D Max. vertical wall digging depth	4510 mm	4490 mm	4510 mm	4490 mm
E Max. digging reach	13250 mm	13250 mm	13250 mm	13250 mm
F Max. digging reach at ground level	13060 mm	13060 mm	13060 mm	13060 mm
G Min. swing radius (bucket loaded)	3415 mm	3415 mm	3415 mm	3415 mm
H Tail swing radius	3860 mm	3860 mm	3860 mm	3860 mm
I Max. height at min. swing radius	11480 mm	11510 mm	11480 mm	11510 mm

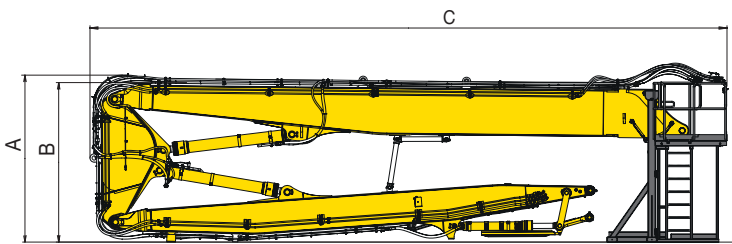
Work equipment storage dimensions

With standard boom change system

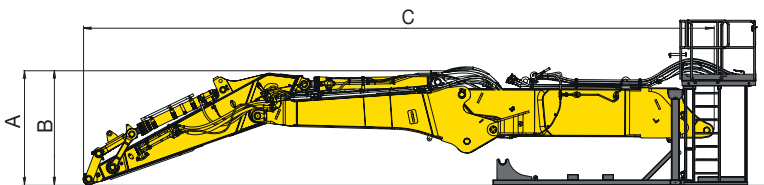
Extended high reach demolition



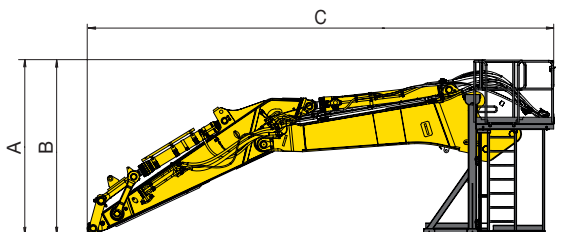
High reach demolition



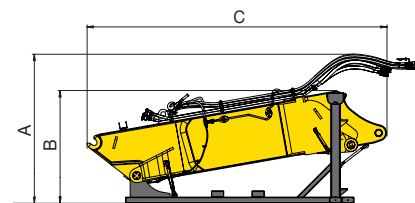
Medium reach demolition



Excavation boom



Extension



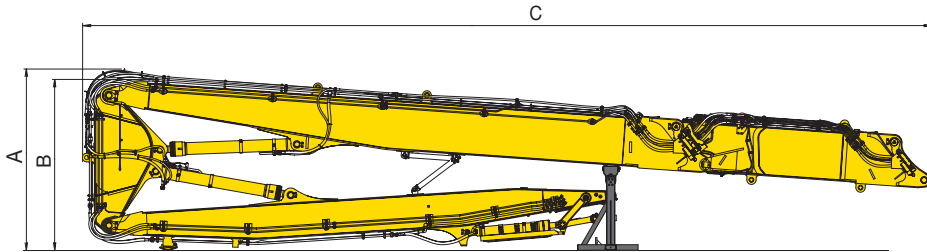
Work equipment storage dimensions

	Extended high reach demolition	High reach demolition	Medium reach demolition	Excavation boom	Extension
A	3465 mm	3465 mm	3100 mm	3100 mm	-
B	3210 mm	3210 mm	3100 mm	3100 mm	1820 mm
C	16310 mm	12315 mm	12670 mm	8360 mm	4875 mm
Transport weight*	14500 kg	11000 kg	10700 kg	7200 kg	4000 kg

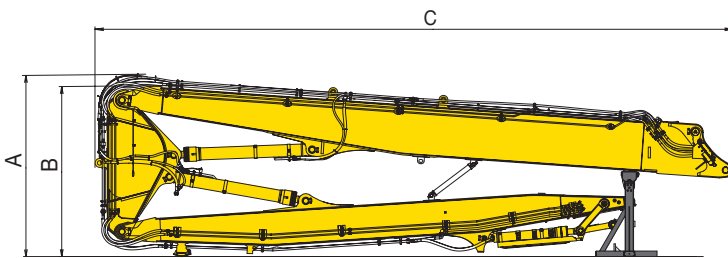
* Transport weight includes equipment stands and excludes attachment/bucket

With K100 quick boom change system

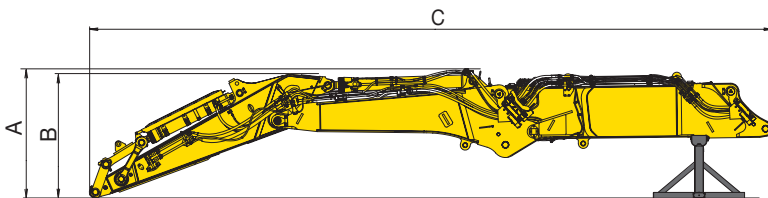
Extended high reach demolition



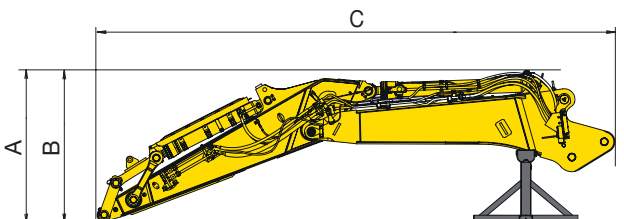
High reach demolition



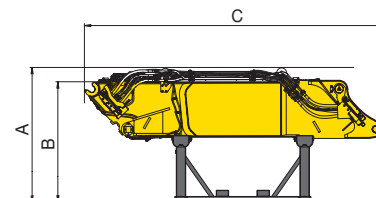
Medium reach demolition



Excavation boom



Extension



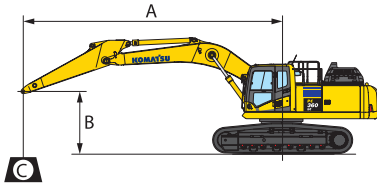
Work equipment storage dimensions

	Extended high reach demolition	High reach demolition	Medium reach demolition	Excavation boom	Extension
A	3310 mm	3310 mm	2230 mm	2285 mm	2180 mm
B	3310 mm	3310 mm	2230 mm	2285 mm	2180 mm
C	15525 mm	11535 mm	11805 mm	7830 mm	4835 mm
Transport weight*	14430 kg	10570 kg	10500 kg	6590 kg	4240 kg

* Transport weight includes equipment stands and excludes attachment/bucket

Lifting capacity

With standard boom change system



- A - Reach from swing center
- B - Bucket hook height
- C - Lifting capacities

- Rating over front
- Rating over side
- Rating at maximum reach

Weights:
Bucket linkage, bucket cylinder, including cylinder guard: 570 kg

With 600 mm shoes and mechanically adjustable undercarriage.

Excavation boom – cranked position

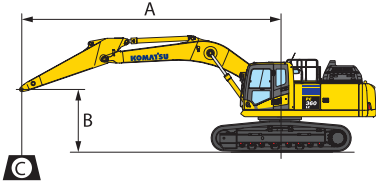
Arm length	A				10.5 m		9.0 m		7.5 m		6.0 m		4.5 m		
	B														
	9.0 m	kg	*8700	*8700					*11400	*11400					
	7.5 m	kg	*8450	*8450			*8850	*8550	*15800	14500					
	6.0 m	kg	*8550	*8550			*14200	10250	*16950	13600		*19700	19100	*24500	*24500
	4.5 m	kg	*8800	8200			*14350	9950	*18200	13050		*22100	17950	*29800	27250
	3.0 m	kg	*9350	7750			14000	9600	18300	12400		*24350	16750		
	1.5 m	kg	*10150	7600			13600	9300	17700	11850		24600	15800		
	0.0 m	kg	11250	7650			13350	9000	17250	11450		24000	15300	*18100	*18100
	-1.5 m	kg	11900	8050			13200	8900	17000	11200		23750	15050	*24950	22950
	-3.0 m	kg	13250	8950					16950	11200		*22050	15100	*26700	23150
	-4.5 m	kg	*13300	10700					*14450	11400		*18150	15350		

Excavation boom – straight position

Arm length	A				10.5 m		9.0 m		7.5 m		6.0 m		4.5 m		
	B														
	9.0 m	kg	*9100	*9100			*12450	9900	*15800	13450	*15650	*15650	*14500	*14500	
	7.5 m	kg	*8650	7850			14250	9900	*17350	13150	*17400	*17400	*16550	*16550	
	6.0 m	kg	*8500	7050	11000	7600	14000	9650	18600	12650	*23750	17600			
	4.5 m	kg	*8500	6600	10850	7450	13650	9350	17900	12050	25200	16400			
	3.0 m	kg	*8650	6350	10650	7300	13300	9000	17250	11500					
	1.5 m	kg	*9000	6300	10500	7150	13000	8750	16750	11050					
	0.0 m	kg	9450	6450	10400	7050	12800	8550	16500	10800		*21650	14500		
	-1.5 m	kg	*8950	6800	10350	7100	12750	8550	*16300	10750		*18600	14550		
	-3.0 m	kg					*10550	8650	*13000	10850					

* Load is limited by hydraulic capacity rather than tipping.
 Ratings are based on SAE Standard No. J1097.
 Rated loads do not exceed 87% of hydraulic lift capacity or 75% of tipping load.
 Lifting capacities are stated in kg, on the tip of the arm, for machine on firm, level supporting surface.

With K100 quick boom change system



- A – Reach from swing center
- B – Bucket hook height
- C – Lifting capacities

- Rating over front
- Rating over side
- Rating at maximum reach

Weights:

Bucket linkage, bucket cylinder, including cylinder guard: 570 kg

With 600 mm shoes and mechanically adjustable undercarriage.

Excavation boom – cranked position

Arm length	A				10.5 m		9.0 m		7.5 m		6.0 m		4.5 m	
	B													
	9.0 m	kg	*8700	*8700					*11400	*11400				
	7.5 m	kg	*8450	*8450			*8550	*8550	*15800	*15800				
	6.0 m	kg	*8550	*8550			*14200	12600	*16900	16550	*19650	*19650	*24450	*24450
	4.5 m	kg	*8800	*8800			*15750	12250	*18100	15950	*22000	21850	*29650	*29650
	3.0 m	kg	*9350	*9350			*16350	11900	*19300	15250	*24200	20600		
	1.5 m	kg	*10150	9500			16400	11550	*20050	14650	*25400	19600		
	0.0 m	kg	*11400	9600			16100	11250	*20200	14250	*25350	19050	*18100	*18100
	-1.5 m	kg	*13400	10100			*15900	11100	*19500	14000	*24100	18800	*24950	*24950
	-3.0 m	kg	*14000	11150					*17700	14000	*21750	18800	*26350	*26350
	-4.5 m	kg	*13100	*13100					*14250	14200	*17900	*17900		

Excavation boom – straight position

Arm length	A				10.5 m		9.0 m		7.5 m		6.0 m		4.5 m	
	B													
	9.0 m	kg	*9100	*9100			*12450	12250	*15800	*15800	*15650	*15650	*14500	*14500
	7.5 m	kg	*8650	*8650			*15900	12250	*17350	16150	*17400	*17400	*16550	*16550
	6.0 m	kg	*8500	*8500	*13200	9500	*16450	12000	*19300	15650	*23600	21600		
	4.5 m	kg	*8500	8350	13200	9400	16550	11650	*19950	15000	*25050	20300		
	3.0 m	kg	*8650	8050	13000	9200	16200	11300	*20200	14400				
	1.5 m	kg	*9000	8000	12850	9050	15850	11050	*19750	13950				
	0.0 m	kg	*9550	8200	*12300	8950	*15200	10850	*18400	13700	*21650	18350		
	-1.5 m	kg	*8800	8600	*10200	9000	*13350	10800	*16100	13600	*18300	*18300		
	-3.0 m	kg					*10400	*10400	*12750	*12750				

* Load is limited by hydraulic capacity rather than tipping.
 Ratings are based on SAE Standard No. J1097.
 Rated loads do not exceed 87% of hydraulic lift capacity or 75% of tipping load.
 Lifting capacities are stated in kg, on the tip of the arm, for machine on firm, level supporting surface.

Standard and optional equipment

Engine

Komatsu SAA6D125E-7 turbocharged common rail direct injection diesel engine	●
EU Stage V compliant	●
Remote hydraulically driven, variable speed, reversible cooling fan	●
Automatic engine warm-up system	●
Engine overheat prevention system	●
Fuel control dial	●
Auto-deceleration function	●
Adjustable idle shutdown	●
Engine key stop	●
Engine ignition can be password secured on request	●
Alternator 24 V / 90 A	●
Starter motor 24 V / 11 kW	●
Batteries 2 × 12 V / 180 Ah	●

Hydraulic system

Electronic closed-centre load sensing (E-CLSS) hydraulic system (HydrauMind)	●
Pump and engine mutual control (PEMC) system	●
6-working mode selection system; power mode, economy mode, breaker mode, attachment power and attachment economy mode, and lifting mode	●
PowerMax function	●
Two-mode boom control	●
In-line filter for hydraulics	●
Two additional service valves (full flow)	●
One additional service valve (1/2 flow)	●
Drain circuit for hydraulic attachment rotation motors	●
Prepared for hydraulic quick coupler	●
PPC wrist control levers for arm, boom, bucket and swing, with sliding proportional control for attachments and 3 auxiliary buttons	●
PPC pedal for high reach demolition mid link	●
Tool Control system	○

Drives and brakes

Hydrostatic, 3-speed travel system with automatic shift and planetary gear type final drives, and hydraulic travel and parking brakes	●
PPC control levers and pedals for steering and travel	●

Undercarriage

Track roller guards	●
Track frame under-guards	●
Hydraulic adjustable wide gauge (HWG) undercarriage	○
600, 700 mm triple grouser track shoes (HWG: 700 mm only)	○
Full length track roller guards	○

Cabin

Demolition specification Safety SpaceCab™, with ISO10262 level 2 FOPS guards and roof screen wash wipe system. Fixed, one piece front window. Front and roof window fitted with high impact protective laminated glass, compliant with EN356 Grade P5A, in accordance with EN474 Part 1: Annex G.	●
Tilting cab, controlled by wrist controller buttons, with soft start/soft stop function, including hydraulic power hoses and cab raise cylinders	●
Heated, high back air suspension seat with lumbar support, console mounted height adjustable arm rests, and retractable seat belt	●
Automatic climate control system	●
12 / 24 Volt power supplies	●
Beverage holder and magazine rack	●
Hot and cool box	●
Radio (AM/FM)	●
Auxiliary input (MP3 jack)	●
Parallel action wiper with flick wipe function operated by wrist controller button	●
DAB+ digital radio w. auxiliary input (MP3 jack)	○

Lighting system

Working lights: 2 revolving frame lights and 2 LED boom lights, 4 LED cab roof (front) lights, 1 cab roof rear light, 1 counterweight (rear) light, 2 LED high reach arm lights	●
---	---

Work equipment

Demolition 1st boom: Includes demolition 1st boom, fitted with Komatsu hydraulic quick connect system and hydraulic pipework suitable for operation of rotating crusher attachment	●
High reach demolition: Includes heavy duty demolition 2nd boom, heavy duty mid link and heavy duty demolition arm, to fit onto demolition 1st boom. Includes work equipment stands compliant with EN474 Part 1: Annex G	○
Heavy duty extension boom: Includes extension boom to fit onto demolition 1st boom, with Komatsu hydraulic quick connect system, piping for hydraulic quick coupler and piping for hose burst valves. Includes equipment stand	○
Excavation boom: Includes two position excavation boom to fit onto demolition 1st boom, 3400 mm arm, with piping for hydraulic quick-coupler, arm cylinder safety valve. Includes work equipment stands compliant with EN474 Part 1: Annex G	○
K100 quick boom change system: Includes Komatsu hands free boom connections, with advanced Human Machine Interface safety system. Low profile equipment storage stands included.	○
Komatsu buckets	○

Safety equipment

Working range indicator (WRI) system with full colour graphical display and warning buzzer. Compatible with optional high reach arm camera. 15 attachment memory settings	●
KomVision surround view system	●
Emergency engine stop switch	●
Electric horn	●
Lockable fuel cap and covers	●
Audible travel alarm	●
Boom, arm and mid link safety valves, compliant with EN474 Part 1: Annex G	●
Large handrails, rear-view mirrors	●
Battery main switch	●
Emergency cab lower switch (internal and external)	●
High reach arm end camera	○

Service and maintenance

Automatic fuel line de-aeration	●
Double element type air cleaner with dust indicator and auto dust evacuator	●
Komtrax – Komatsu wireless monitoring system	●
Komatsu Care – a maintenance program for Komatsu customers	●
Multi-function video compatible colour monitor with Equipment Management and Monitoring System (EMMS) and efficiency guidance	●
Toolkit	●
Service points	●

Other equipment

Heavy duty revolving frame with heavy duty demolition under covers and side guard protection	●
Remote greasing for swing circle and pins	●
Electric refuelling pump with automatic shut off function	●
Standard colour scheme and decals	●
Parts book and operator manual	●
Counterweight prepared for additional demolition counterweight. Not compatible with K100 quick boom change system	○
One piece demolition specification counterweight. Fitted as standard with K100 quick boom change system.	○
Additional demolition counterweight. To fit into main demolition counterweight when high reach or medium reach demolition equipment is installed. Removable for excavation operations. Not included with K100 quick boom change system.	○
Biodegradable oil for hydraulic system	○
Customised paint	○
Dust resistance kit, including turbine type engine air pre cleaner, mesh protection to air intakes	○

Further equipment on request

- standard equipment
- optional equipment

This specification sheet may contain attachments and optional equipment that are not available in your area. Please consult your local Komatsu distributor for those items you may require.

Materials and specifications are subject to change without notice.

Your Komatsu partner:

KOMATSU

[komatsu.eu](https://www.komatsu.eu)

