

# KOMATSU

## BR380JG-3



Mobile crusher

**Engine power**  
159 kW / 213 HP @ 2050 rpm

**Operating weight**  
33500 - 35310 kg

**Crusher inlet size**  
1065 × 550 mm

# BR380JG-3

## CO<sub>2</sub> offsetting scheme

The new BR380JG-3 is Komatsu's first diesel powered machine in Europe with a Net Zero CO<sub>2</sub>. Komatsu believes that solving Environmental, Social and Governance (ESG) issues are key to the future. By combining Komatsu technology with the assistance of biology, we, as a manufacturer of construction and mining equipment, and as a member of society, can deliver



on our commitment to our customers and to the planet. To meet Komatsu's commitment to the environment and increasing demands from customers to reduce CO<sub>2</sub> emission, the BR380JG-3 has a unique CO<sub>2</sub> offsetting scheme, which will be applied to each and every one sold in Europe.



Engine power  
**159 kW / 213 HP @ 2050 rpm**

Operating weight  
**33500 - 35310 kg**

Crusher inlet size  
**1065 × 550 mm**

# Eco-friendly performance moving to a new stage

## Powerful and environmentally friendly

- EU Stage V compliant
- Zero CO<sub>2</sub> - Komatsu CO<sub>2</sub> offsetting scheme
- The cleanest mobile crusher in the market
- Technology and biology working together

## Maximum efficiency

- Highly productive and efficient
- Jaw crusher
- Fully automatic discharge setting adjustment system
- High speed, large capacity conveyor belt
- Hydraulically adjustable muck conveyor
- One touch start/stop function
- Magnetic separator
- Radio remote control



## Safety first

- Foldable maintenance access step
- Handrails
- Retractable engine hood
- Battery disconnect switch
- Engine shutdown secondary switch

## Komtrax

- Komatsu wireless monitoring system
- 4G mobile communication
- Integrated communication antenna
- Operational data reports



A maintenance program  
for Komatsu customers



BR380JG-3



## Powerful and environmentally friendly

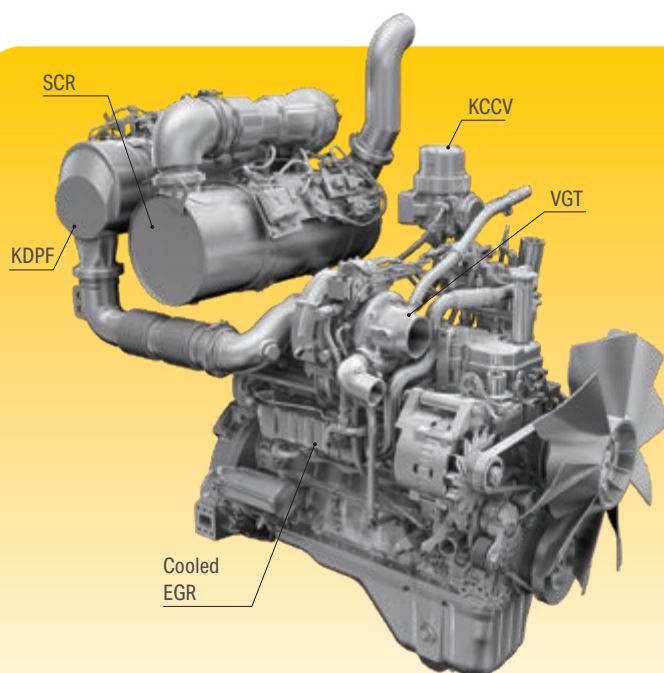
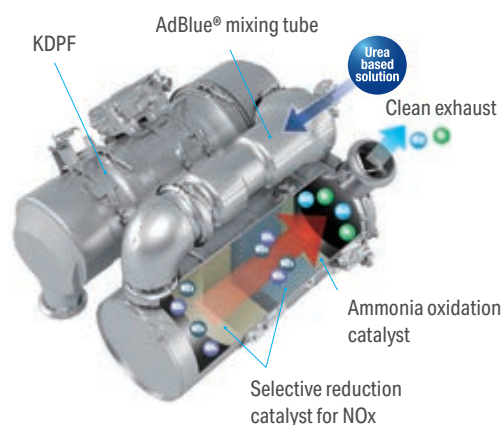
### Komatsu EU Stage V

The Komatsu EU Stage V engine is productive, dependable and efficient. With ultra-low emissions, it provides a lower environmental impact and a superior performance to help reduce operating costs and lets the operator work in complete peace of mind.



### Heavy-duty aftertreatment

The aftertreatment system combines a Komatsu Diesel Particulate Filter (KDPF) and Selective Catalytic Reduction (SCR). The SCR injects the correct amount of AdBlue® into the system at the proper rate to break down NOx into water (H<sub>2</sub>O) and non-toxic nitrogen gas (N<sub>2</sub>). NOx emissions are reduced by 80% vs. EU Stage IIIB engines.



#### Exhaust Gas Recirculation (EGR)

Cooled EGR is a technology well-proven in current Komatsu engines. The increased capacity of the EGR cooler now ensures very low NOx emissions and a better engine performance.

#### High-Pressure Common Rail (HPCR)

To achieve complete fuel burn and lower exhaust emissions, the heavy-duty High-Pressure Common Rail fuel injection system is computer controlled to deliver a precise quantity of pressurised fuel into the redesigned engine combustion chamber by multiple injections.

#### Komatsu Closed Crankcase Ventilation (KCCV)

Crankcase emissions (blow-by gas) are passed through a CCV filter. The oil mist trapped in the filter is returned back to the crankcase while the filtered gas is returned to the air intake.

#### Variable Geometry Turbo (VGT)

The VGT provides optimal airflow to the engine combustion chamber under all speed and load conditions. Exhaust gas is cleaner, fuel economy is improved while machine power and performance are maintained.

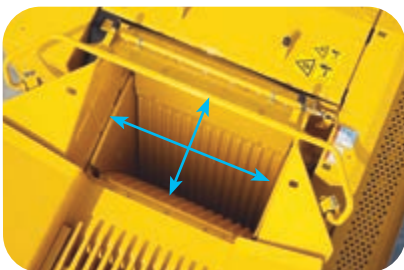


## Outstanding reliability



### Hydraulic crusher protection mechanism

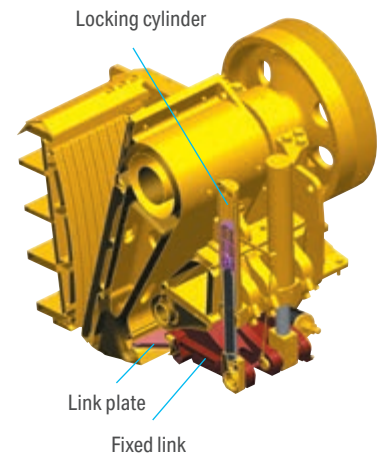
Jaw crushers typically protect themselves by bending toggle plates when they are clogged or jammed with metal or wood debris. The BR380JG-3 protects itself by allowing the locking cylinders to fully open the discharge port, which makes it easy to remove clogged foreign material from the crusher.



Feed opening: 1065 mm x 550 mm

### Large capacity jaw crusher

Crushing efficiency is improved dramatically with the installation of a load-presetting semiautomatic feeder system and the increased crusher rotation speed.



### Dust suppression preparation

To prevent dust, sprinkler nozzles are provided as a standard attachment at the top of the jaw crusher.

### Maximum reliability and minimal maintenance

In addition to the spacious clearance of 530 mm between the jaw crusher and the conveyor belt, the crusher's bottom area is sealed with covers. This construction design prevents rebar from being caught by the crusher's member structure. Wide openings on the side frames also ensure easy access to the space below the crusher to remove clogged foreign material.

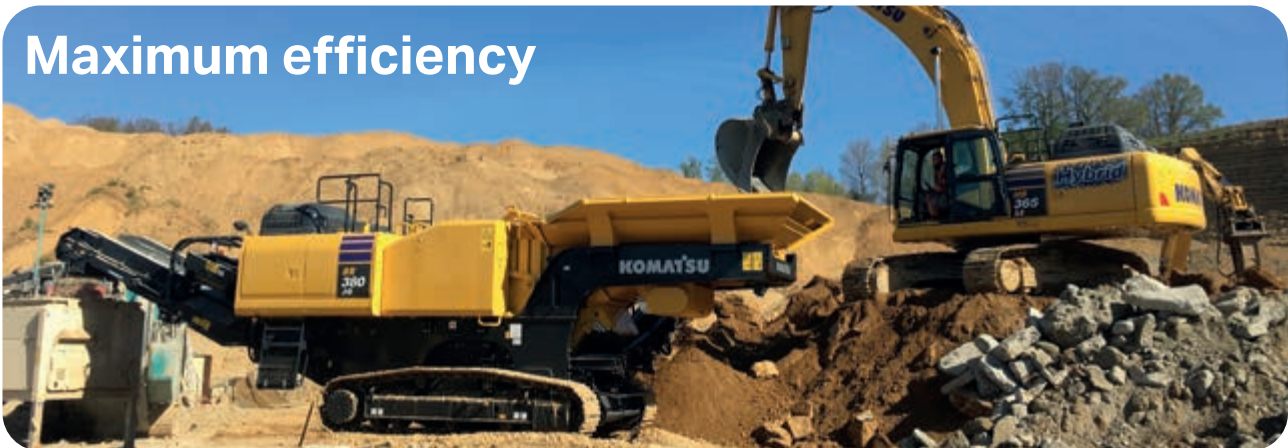


Opening in the engine side



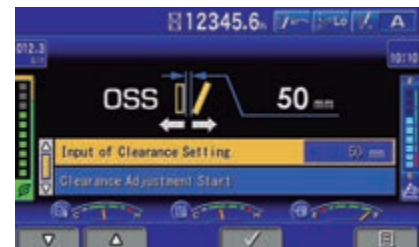
Opening in the crusher side (both sides of undercarriage)

## Maximum efficiency



### Fully automatic discharge setting adjustment system

The jaw crusher is equipped with an automatic discharge setting adjustment system that makes it easy to change the opening of the discharge port. Even as both of the jaw plates or one wear, you can adjust the discharge setting with a simple one-touch operation (adjustable within a few minutes) with this automatic system. On the monitor panel, you can choose one of the three adjustment modes. (Patent pending)



- Mode A: Input a desired value for the discharge setting.
- Mode S: Increase or decrease the current discharge setting.
- Mode M: Press the manual switch to increase or decrease the present discharge setting.

### High-speed, large-capacity conveyor belt

The high discharge height of 2800 mm makes it easy to configure a system with the stock pile conveyor and screens. With its width of 1050 mm and a belt speed of 120 m/min, the belt conveyor has a high volume capacity. In addition, the conveyor reverse mode is provided to facilitate the removal of jammed foreign material.



### High mobility

The conveyor elevation system ensures a high minimum ground clearance, which provides the crusher with outstanding maneuverability at any crushing site. In addition, improved configuration location of the guide handle makes it much easier to operate the conveyor lifter. The mobile crusher uses a new interlock system that controls the travel operation, to prevent the conveyor from being dragged or colliding with the ground depending on the conveyor's position.



Conveyor elevation system

Min. ground clearance – Traveling: 200/300 mm  
Min. ground clearance – Crushing: 100/200 mm

"Traveling" is prohibited by interlock when the round clearance is 100 mm.

## Safety first



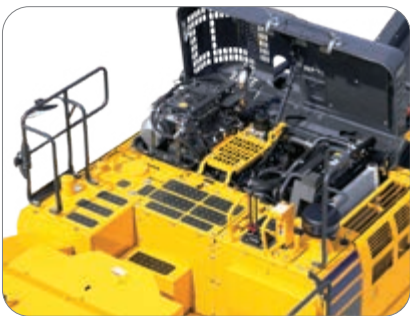
### Ease of operation

All the switches necessary for operation are located on the main control panel, making it easier for the operator standing at ground level to access and safely control the operation. As the control system is equipped with the one-touch start feature, all you have to do is press the start switch. This simple operation will sequentially start the operation of the magnetic separator, belt conveyor, jaw crusher and feeder.



### Maintenance step

Easy ground level maintenance access step, which retracts for transport.



### Hand rails prevent accidental fall-off / back and forth retractable hood

Provides excellent maintenance and service access to key engine components.

### Various items for easy maintenance and safety

- Fuel pre-filter (with water separator)
- Engine oil filter and fuel drain valve
- Remote greasing
- Slip-resistant plates



### Battery disconnect switch

For better safety during electrical circuit servicing.



### Engine shutdown secondary switch

Engine stop switch added for emergency use.

### Radio remote control (standard)

With this controller, you can change the mode between "Travel" and "Operation", while remaining onboard the excavator. You can also use it to operate the one-touch start feature.



- Function:
- Travel Left/Right Forward/Reverse
  - Feeder On/Off
  - Work equipment Start/Stop
  - Mode selection Operation/Travel



## Easy maintenance



### Central service points

Komatsu designed the BR380JG-3 with centralised and conveniently located service points to make necessary inspections and maintenance quick and easy.

### Komatsu Care

Komatsu Care is a maintenance program that comes as standard with your new Komatsu machine. It covers factory-scheduled maintenance, performed with Komatsu Genuine parts by Komatsu-trained technicians. Depending on your machine's engine, it also offers extended coverage of the Komatsu Diesel Particulate Filter (KDPF) and the Selective Catalytic Reduction (SCR). Please contact your local Komatsu distributor for terms and conditions

### Long-life oil filters

The Komatsu Genuine hydraulic oil filter uses high-performance filtering material for long replacement intervals, which significantly reduces maintenance costs.

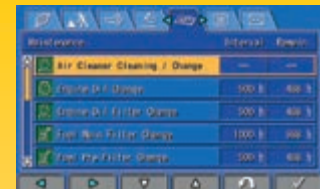


### AdBlue® tank

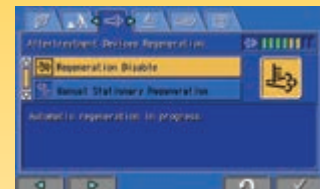
Simple ground level access, the AdBlue® tank is installed next to the control panel.

### Flexible warranty

When you purchase Komatsu equipment, you gain access to a broad range of programmes and services that have been designed to help you get the most from your investment. For example, Komatsu's Flexible Warranty Programme provides a range of extended warranty options on the machine and its components. These can be chosen to meet your individual needs and activities. This programme is designed to help reduce total operating costs.



Basic maintenance screen



Aftertreatment device regeneration screen for the KDPF



AdBlue® level and refill guidance



## Machine monitor with evolutionary interface

High resolution LCD panel is used for the monitor screen. The high resolution increases the visibility greatly. This monitor displays the machine condition in real time, and the operator can easily grasp the condition if an abnormality occurs.

## Support efficiency improvement

Display of work equipment set state: The operator can check the work equipment speed and load, etc. at a glance, displayed on the monitor screen during operation.

## Operation record, fuel consumption history, and ECO guidance record

The ECO guidance menu enables the operator to check the operation record, fuel consumption history and ECO guidance record from the ECO guidance menu, using a single touch. Providing the ability to optimise fuel consumption.

## Support the AdBlue® level and refill timing

The AdBlue® level gauge is displayed continuously on the right side of the monitor screen. In addition, when the refill timing is reached, the AdBlue® low level guidance appears as a pop up display to inform the operator in real time.



### Indicators & switches

- 1 Service meter
- 2 Crusher rotation direction
- 3 Conveyor position
- 4 Working mode
- 5 Fuel consumption gauge
- 6 ECO gauge
- 7 Clock
- 8 AdBlue® level gauge
- 9 AdBlue® level caution lamp
- 10 Crusher actual clearance
- 11 Crusher speed setting screen
- 12 Feeder speed setting screen
- 13 Crusher load setting screen
- 14 Engine coolant temperature gauge
- 15 Hydraulic oil temperature gauge
- 16 Fuel gauge
- 17 Guidance icon
- 18 Function switches



AdBlue® low level guidance

AdBlue® level gauge

## Visual user menu

Pressing the F6 key on the main screen displays the user menu screen. The menus are grouped for each function, and use easy-to-understand icons which enable the machine to be operated easily.



- 1 Energy saving guidance
- 2 Machine settings
- 3 Aftertreatment device regeneration
- 4 SCR information
- 5 Maintenance
- 6 Monitor setting
- 7 Message check

## Information & communication technology



### Knowledge

You get quick answers to basic and critical questions about your machines – what they're doing, when they did it, where they're located, how they can be used more efficiently and when they need to be serviced. Performance data is relayed by wireless communication technology (satellite, GPRS or 4G depending on model) from the machine to a computer and to the local Komatsu distributor – who's readily available for expert analysis and feedback.

### Convenience

Komtrax enables convenient fleet management on the web, wherever you are. Data is analysed and packaged specifically for effortless and intuitive viewing in maps, lists, graphs and charts. You can foresee eventual maintenance issues and required spare parts, and troubleshoot a problem before Komatsu technicians arrive on site.



### The way to higher productivity

Komtrax uses the latest wireless monitoring technology. Compatible on PC, smartphone or tablet, it delivers insightful and cost saving information about your fleet and equipment, and offers a wealth of information to facilitate peak machine performance. By creating a tightly integrated web of support it allows proactive and preventive maintenance and helps to efficiently run a business.

### Power

The detailed information that Komtrax puts at your fingertips 24 hours a day, 7 days a week gives the power to make better daily and long-term strategic decisions – at no extra cost. Problems can be anticipated, maintenance schedules customised, downtime minimised and machines kept where they belong: working on the jobsite.





# Specifications

## Engine

Model	Komatsu SAA6D107E-3
Type	Common rail direct injection, water-cooled, emissionised, turbocharged, after-cooled diesel
Engine power	
at rated engine speed	2050 rpm
ISO 14396	159 kW / 213 HP
ISO 9249 (net engine power)	147 kW / 196 HP
No. of cylinders	6
Bore × stroke	107 mm × 124 mm
Displacement	6.69 l
Fuel	Diesel fuel, conforming to EN590 Class 2/Grade D. Paraffinic fuel capability (HVO, GTL, BTL), conforming to EN 15940:2016

## Hydraulic system

Type	HydrauMind. Closed-centre system with load sensing and pressure compensation valves
Main pump	Variable displacement piston pumps
Pump for hydraulic system	Travel, crusher, feeder, conveyor, muck discharge conveyor, magnetic separator, and 2 equipment options
Maximum flow	2 × 244 l/min
Maximum pressure	36.8 MPa
Maximum travel speed	3 km/h
System oil flow	
Travel	2 × 180 l/min
Crusher	244 l/min
Feeder	58 l/min
Conveyor	37 l/min
Option	28 l/min

## Operating weight

Base machine	33500 kg
Base machine with magnetic separators and muck conveyors	35310 kg

## Drives and brakes

Steering control	2 levers giving independent control of each track. Radio remote control giving independent control of each track
Drive method	Hydrostatic
Travel operation	Automatic 3-speed selection
Gradeability	47%, 25°
Max. travel speeds	
Lo / Mi / Hi	0.8 / 2.3 / 3.0 km/h
Brake system	Hydraulically operated discs in each travel motor

## Undercarriage

Shoes (each side)	45
Rollers	
Track rollers (each side)	5
Carrier rollers (each side)	2

## Crusher

Inlet size	1065 mm × 550 mm
Discharge setting (O.S.S)	50 - 150 mm
Rotating speed (variable)	170 - 330 rpm
Production capacity (indication)	50 - 240 t/h

## Production capacity (t/h)

Material	Crusher discharge setting (open side)			
	50 mm	80 mm	120 mm	150 mm
Natural stone	50 - 70	80 - 115	125 - 180	170 - 240
Concrete debris	60 - 85	90 - 130	125 - 175	-

Maximum treatment capacity (with a muck content of 30%).  
The production capacity is the sum of the quantity of the material crushed by the crusher and the quantity of the material that passed through the grizzly bar. It depends on the type and properties of the material and the working conditions.

## Grizzly feeder

Frequency (max.)	1100 rpm
Size	1000 mm × 3070 mm
Amplitude (not loaded, all amplitude)	8 mm
Drive type	Direct drive with hydraulic motor

## Service refill capacities

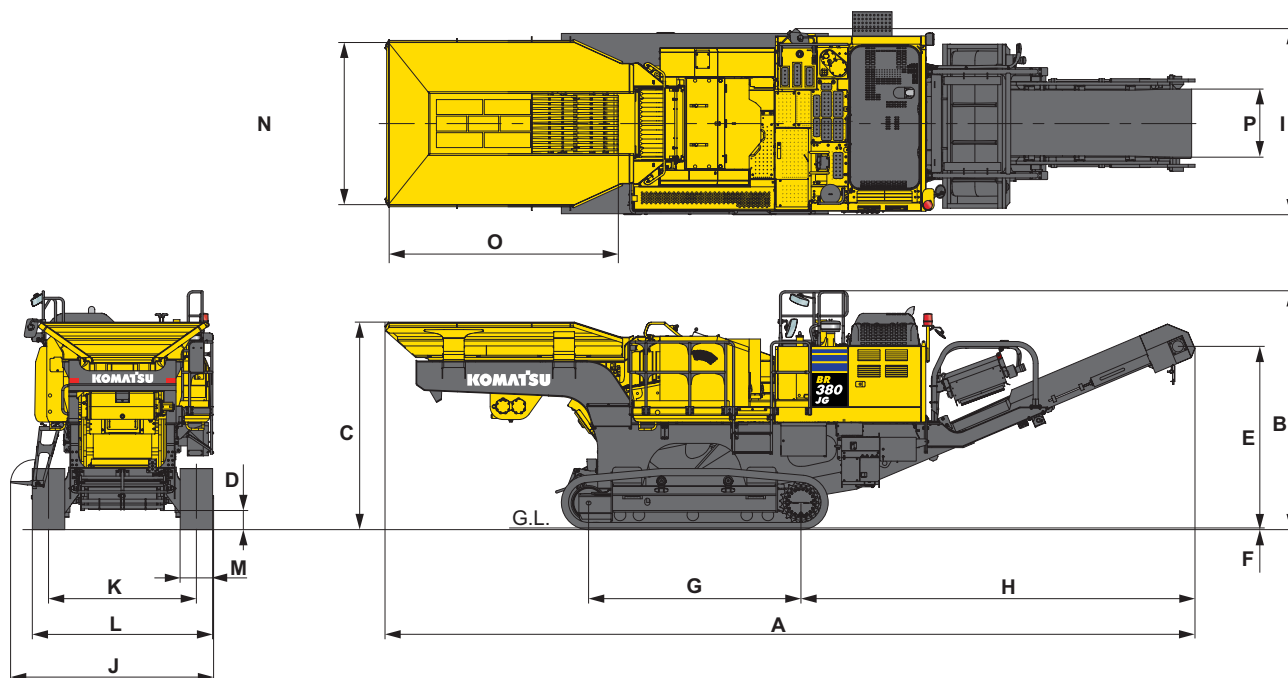
Fuel tank	400 l
Radiator	30.8 l
Engine oil	25.4 l
Hydraulic tank	224 l
Final drive (each side)	5.4 l
AdBlue® tank	39.4 l

## Environment

Engine emissions	Fully complies with EU Stage V exhaust emission regulations
------------------	---

### Dimensions

A	Overall length	12500 mm
B	Overall height	3675 mm
C	Feed height-side	3200 mm
D	Minimum ground clearance (Traveling)	300 mm
E	Discharge height	2800 mm
F	Grouser height	26 mm
G	Length of track on ground	3275 mm
H	Discharge from final drive center	6080 mm
I	Overall width (step in transport position)	2870 mm
J	Overall width (step extended for access)	3130 mm
K	Track gauge	2280 mm
L	Track width	2780 mm
M	Shoe width	500 mm
N	Hopper width	2500 mm
O	Hopper length	3540 mm
P	Discharge conveyor belt width	1050 mm



## Standard and optional equipment

### Engine

Komatsu SAA6D107E-3 turbocharged common rail direct injection diesel engine	●
EU Stage V compliant	●
Suction type cooling fan with radiator fly screen	●
Automatic engine warm-up system	●
Engine overheat prevention system	●
Fuel control dial	●
Engine key stop	●
Engine ignition can be password secured on request	●
Alternator 24 V / 60 A	●
Starter motor 24 V / 5.5 kW	●
Batteries 2 × 12 V / 110 Ah	●

### Hydraulic system

Electronic closed-centre load sensing (E-CLSS) hydraulic system (HydraMind)	●
Pump and engine mutual control (PEMC) system	●
3-working modes selection system: Automatic mode, semi-automatic mode and manual mode	●

### Undercarriage

500 mm triple grouser shoes	●
-----------------------------	---





**Service and maintenance**

Automatic fuel line de-aeration	●
Double element type air cleaner with dust indicator and auto dust evacuator	●
Komtrax – Komatsu wireless monitoring system (4G)	●
Komatsu Care – a maintenance program for Komatsu customers	●
Multifunction colour monitor with Equipment Management and Monitoring System (EMMS) and efficiency guidance	●

**Safety equipment**

Electric horn	●
Hydraulic crusher protection system	●
Audible travel alarm	●
Large handrails with mirrors	●
Battery main switch	●
Emergency engine stop switch	●

**Drives and brakes**

Hydrostatic, 3-speed travel system with automatic shift and planetary gear type final drives, and hydraulic travel and parking brakes	●
PPC control levers for steering and travel	●

**Lighting system**

1 working light main conveyor belt	●
1 yellow warning beacon	●
1 red abnormality warning beacon	●

**Work equipment**

Jaw crusher	●
Main conveyor	●
Radio remote control	●
Dust suppression preparation	●
Muck conveyor	○
Magnetic operator	○

Further equipment on request

● standard equipment

○ optional equipment

This specification sheet may contain attachments and optional equipment that are not available in your area. Please consult your local Komatsu distributor for those items you may require.

Materials and specifications are subject to change without notice.

---

Your Komatsu partner:

**KOMATSU**

[komatsu.eu](https://www.komatsu.eu)

