

KOMATSU

WA700-8

PRELIMINARY



Wheel loader

Engine power
578 kW / 775 HP @ 2000 rpm

Operating weight
97100 kg

Bucket capacity
8.7 - 10.3 m³

Powerful and environmentally friendly

- NEW** • 578 kW EU Stage V engine (+8%)
- NEW** • Increased fuel efficiency (+8%)
- NEW** • Increased engine torque (+15%)
- Komatsu SmartLoader Logic
- Large-capacity torque converter with standard lock-up
- Long-life Komatsu Diesel Particulate Filter
- Automatic transmission with Electronic Controlled Modulation Valve
- Closed-center load sensing system (CLSS)

Maximised efficiency

- NEW** • Redesigned Komatsu bucket
- NEW** • Increased lifting force (+6%)
- Large dumping clearance
- Tire slip control system
- Large-capacity torque converter with standard lock-up



Engine power

578 kW / 775 HP @ 2000 rpm

Operating weight

97100 kg

Bucket capacity

8.7 - 10.3 m³

Exceptional productivity and operator environment

Perfect matching for loading onto 60 t class dump trucks

First-class operator comfort

- NEW** • Newly designed cab (ROPS/FOPS standard)
- NEW** • New operator seat with control levers
- NEW** • Advanced Joystick Steering System (AJSS)
- NEW** • Walk-through around the cab
 - Automatic digging system
 - Semi-auto Approach & Dump System
 - Electronically Controlled Suspension System
 - Variable traction control system

Safety

- KomVision camera
- Rear view monitoring system
- LED lighting package

Easy maintenance

- Swing-out type cooling fan and wide core radiator
- Machine lock out system
- Modular radiator core system
- Service center
- Battery disconnect switch

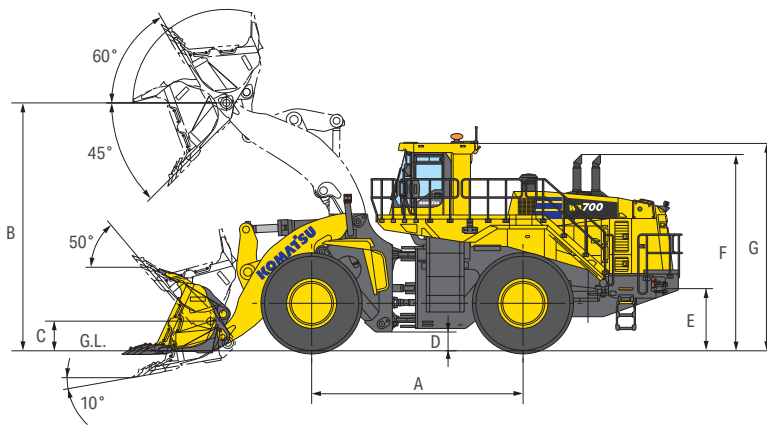
Information & communication technology (ICT)

- High resolution 7-inch color Liquid Crystal Display (LCD) monitor
- Energy saving operation eco guidance
- Komtrax Plus



Specifications

WA700-8E0



	Standard boom
Overall width without bucket	3250 mm
Width over tires	4380 mm
A Wheelbase	5340 mm
B Hinge pin height, max. height	6265 mm
C Hinge pin height, carry position	750 mm
D Ground clearance	475 mm
E Hitch height	1570 mm
F Overall height, top of the stack	4960 mm
G Overall height, ROPS (ISO 3471) cab	5240 mm

Measurements and working specifications (standard boom)

Spade nose Teeth & segments

Bucket type	Excavating bucket		
Bucket capacity	Heaped		9.2 m ³
	Struck		8.0 m ³
Bucket width			4710 mm
Bucket weight			16560 kg
Dumping clearance, cutting edge			4540 mm
Dumping clearance, teeth			4180 mm
Reach, cutting edge			2080 mm
Reach, teeth			2325 mm
Operating height (Fully raised)			8625 mm
Overall length			14130 mm
Minimum turning radius (Bucket at carry, outside corner of bucket)	Full lever	Outside	10930 mm
		Center of outside tire	9460 mm
	Maximum articulate	Outside	10550 mm
		Center of outside tire	9050 mm
Digging depth (At the end of tooth)	0°		240 mm
	10°		670 mm
Static tipping load	Straight		68400 kg
	40° full turn		59100 kg
Breakout force	Boom		501 kN (51100 kgf)
	Bucket		615 kN (62700 kgf)
Operating weight			97100 kg

All dimensions, weights, and performance values based on ISO 7131 and 7546 standards.

Static tipping load, operating weight and overall length shown include lubricant, coolant, full fuel tank, ROPS (ISO 3471) cab and operator.

Machine stability and operating weight affected by counterweight, tire size, and other attachments.